

[54] DISPLAY APPARATUS OR SIMILAR ARTICLE

[75] Inventor: Masakatsu Asano, Kawasaki, Japan

[73] Assignee: The General Corporation, Japan

[**] Term: 14 Years

[21] Appl. No.: 121,107

[22] Filed: Feb. 13, 1980

[30] Foreign Application Priority Data

Nov. 2, 1979 [JP] Japan 54-46228

Dec. 20, 1979 [JP] Japan 54-53596

[51] Int. Cl. D14-02

[52] U.S. Cl. D14/106

[58] Field of Search D14/100-111, D14/113, 114, 115; 340/365 R, 700, 711, 720; 364/900

[56] References Cited

U.S. PATENT DOCUMENTS

D. 237,088 10/1975 Wieke D14/106

D. 247,748 4/1978 Ebner et al. D14/113

Primary Examiner—Susan J. Lucas

Attorney, Agent, or Firm—Robert E. Burns; Emmanuel J. Lobato; Bruce L. Adams

[57] CLAIM

The ornamental design for a display apparatus or similar article, substantially as shown and described.

DESCRIPTION

FIG. 1 is a front top perspective view of a display apparatus or similar article showing my new design; FIG. 2 is a front elevational view thereof; FIG. 3 is a left side elevational view thereof; and FIG. 4 is a top plan view thereof.

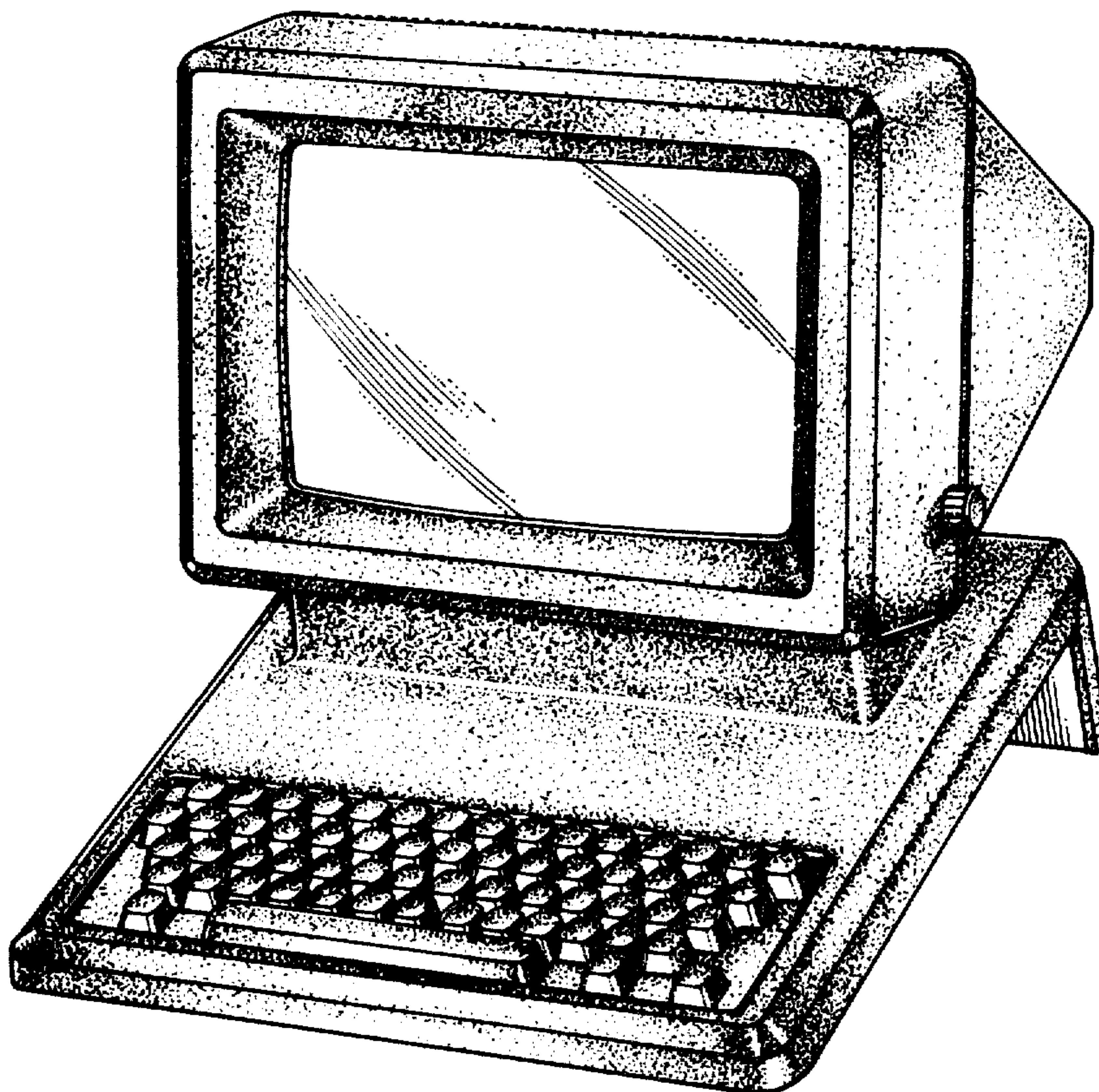


FIG. 1

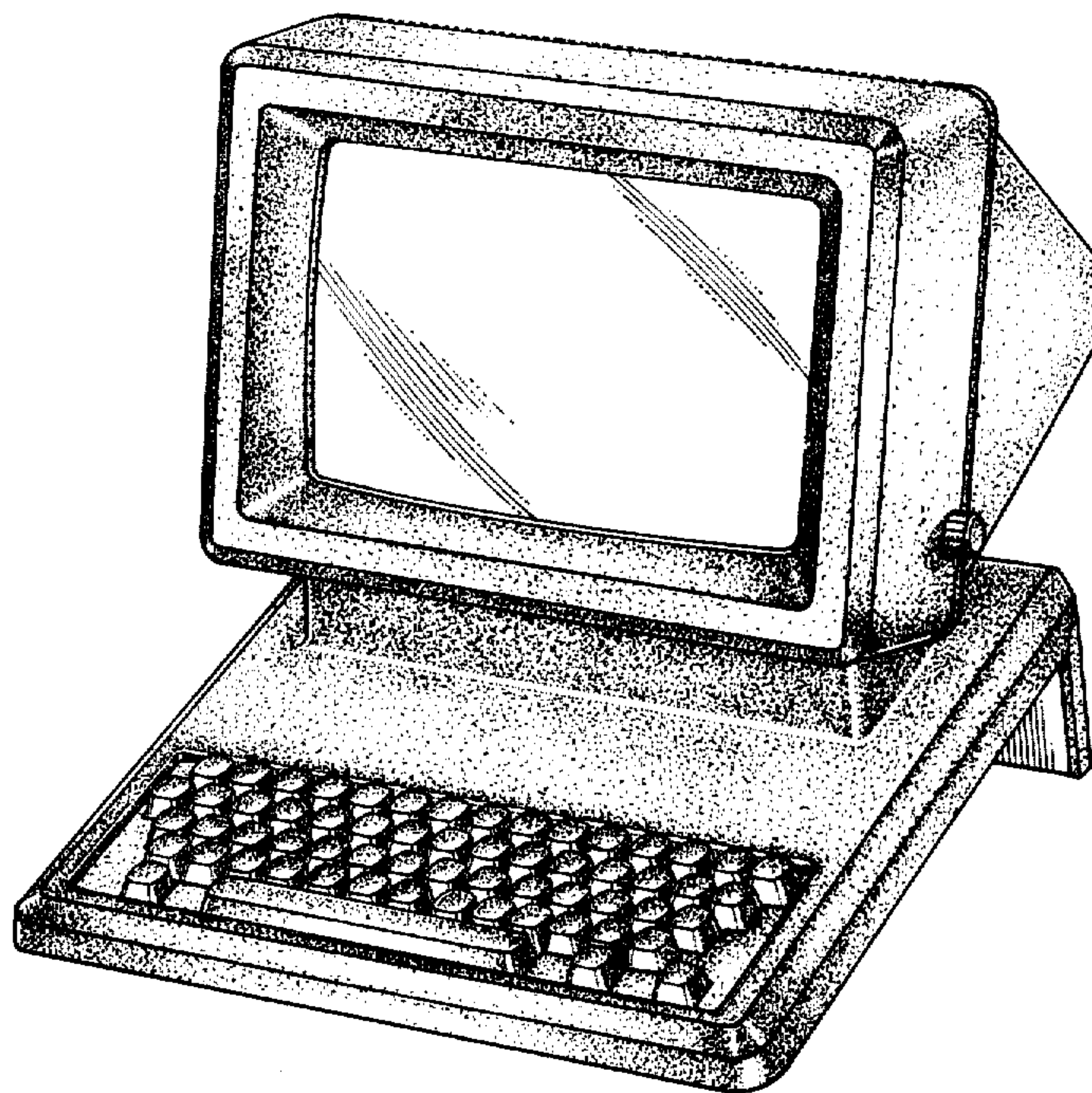
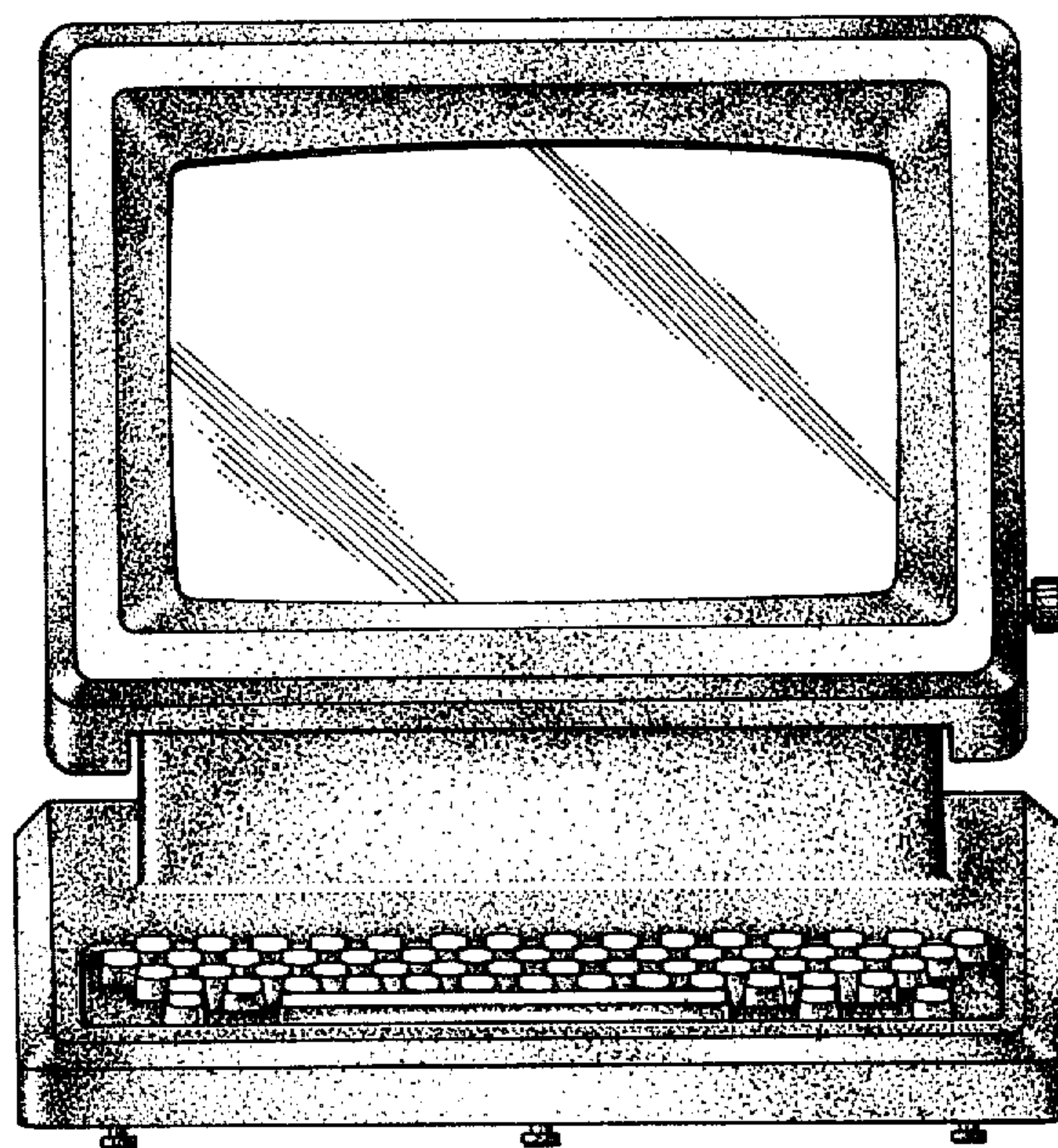


FIG. 2



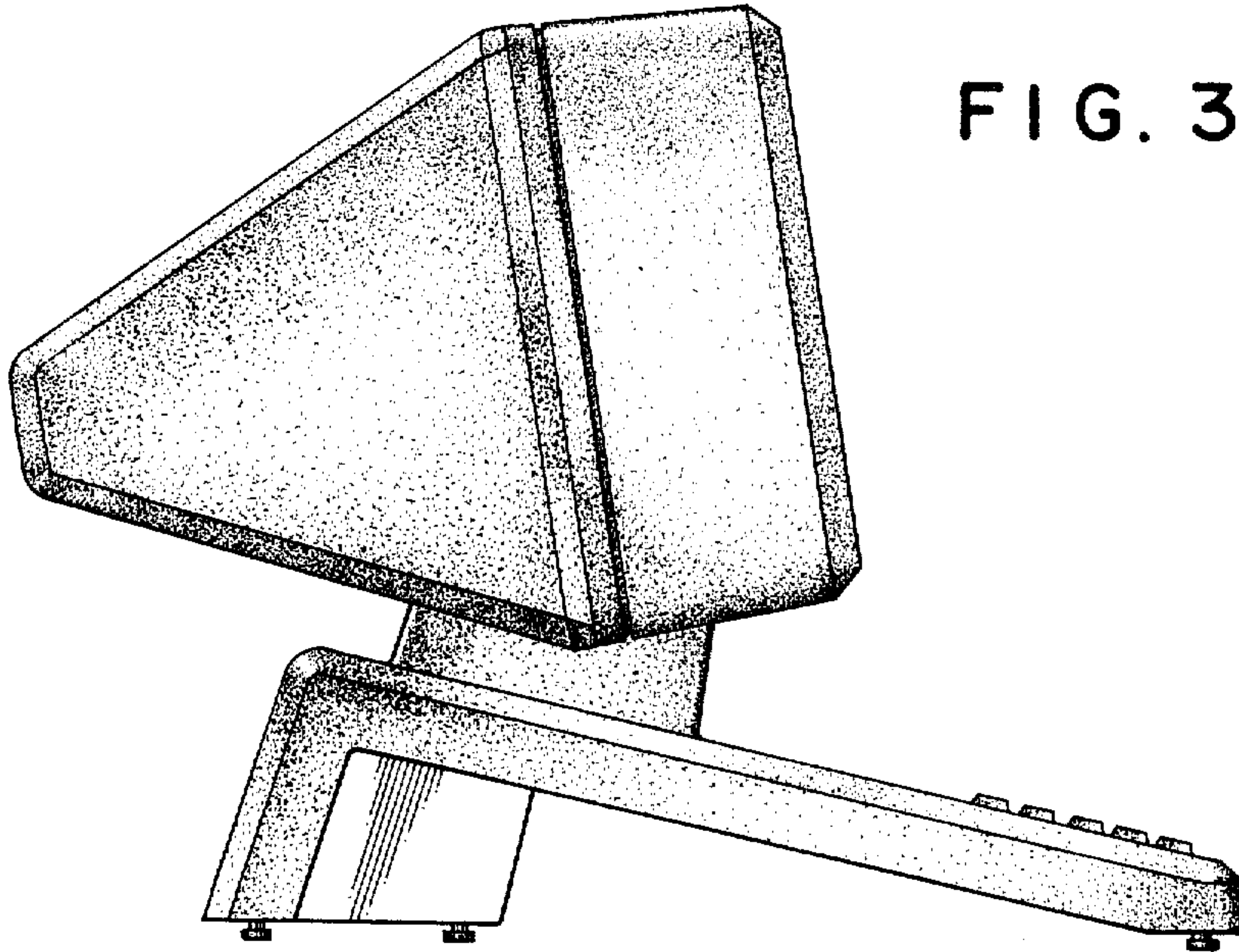


FIG. 4

