

[54] DIALING PAD

[75] Inventors: Hisao Fukushima; Junji Hirooka, both of Tokyo, Japan

[73] Assignee: Oki Electric Industry Co., Ltd., Tokyo, Japan

[**] Term: 14 Years

[21] Appl. No.: 95,525

[22] Filed: Nov. 16, 1979

[30] Foreign Application Priority Data

Jun. 13, 1979 [JP] Japan 54-024163

[51] Int. Cl. D14-02; D14-03; D18-01

[52] U.S. Cl. D14/66; D14/100; D14/53; D18/12

[58] Field of Search D14/92, 66, 53, 58, D14/59, 40, 62, 63, 94; 179/90 BB, 90 BD, 90 BS, 90 K, 90 AK; D18/2, 6, 7, 11, 12; 200/5 R, 5 A, 5 C

[56] References Cited

U.S. PATENT DOCUMENTS

D. 245,500 8/1977 Fukushima et al. D14/53 X

D. 254,195 2/1980 Genaro et al. D14/53 X
D. 254,554 3/1980 Genaro et al. D14/40 X
D. 256,234 8/1980 Fukushima et al. D14/53
3,940,758 2/1976 Margolin 200/5 A X
4,120,039 10/1978 Fischer 200/5 A X

Primary Examiner—Bernard Ansher
Attorney, Agent, or Firm—Berger & Palmer

[57] CLAIM

The ornamental design for a dialing pad, as shown and described.

DESCRIPTION

FIG. 1 is a front view of a dialing pad showing our new design;
FIG. 2 is a rear elevation thereof;
FIG. 3 is a top plan view thereof;
FIG. 4 is a bottom plan view thereof;
FIG. 5 is a side elevational view from the left thereof;
FIG. 6 is a side elevational view from the right thereof;
FIG. 7 is a perspective view in which an operating unit is housed in a cover;
FIG. 8 is a perspective view thereof; and
FIG. 9 is a perspective view in which a dialing pad is mounted on a car;
The broken lines are shown for illustrative purposes only.

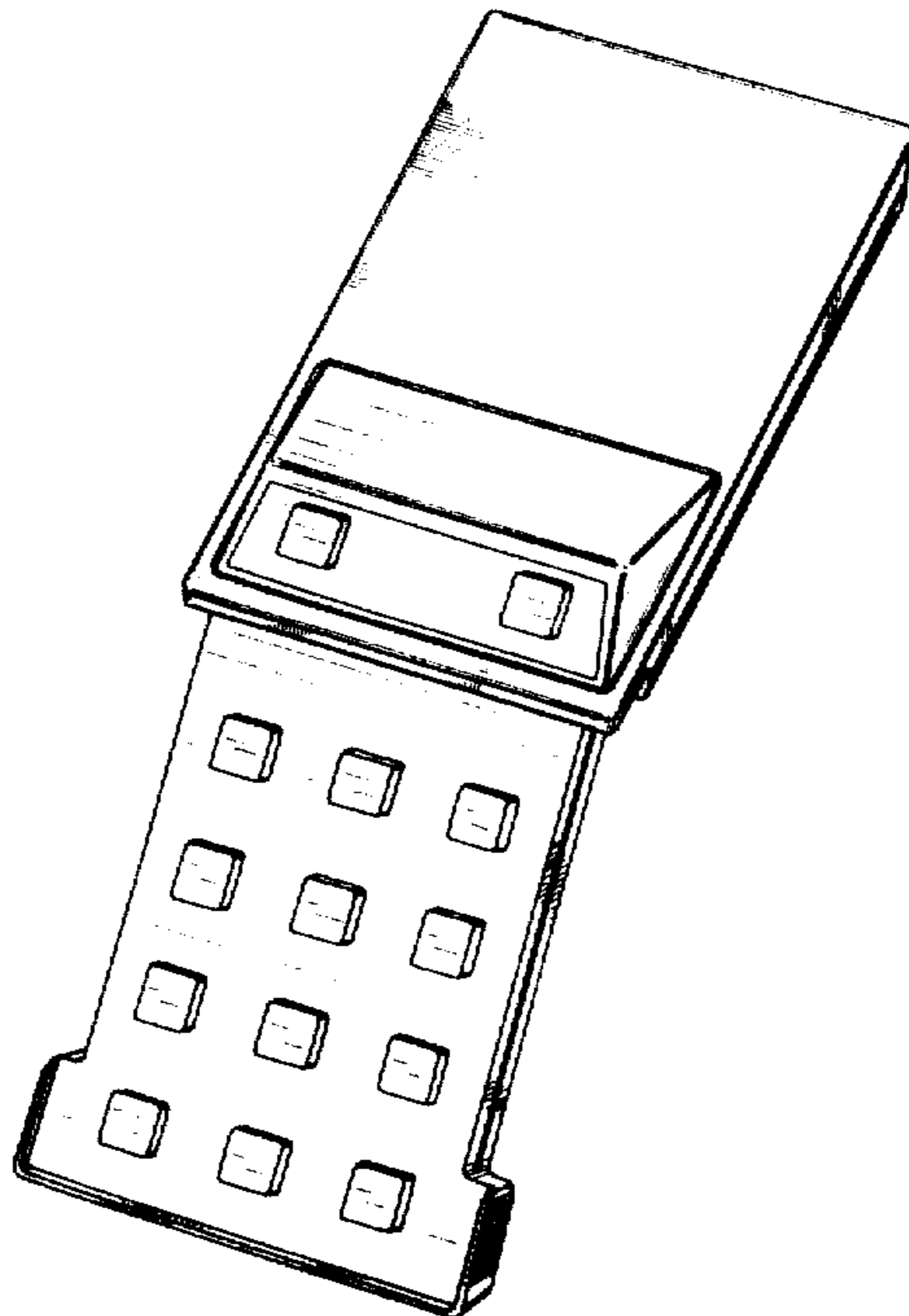


FIG. 1

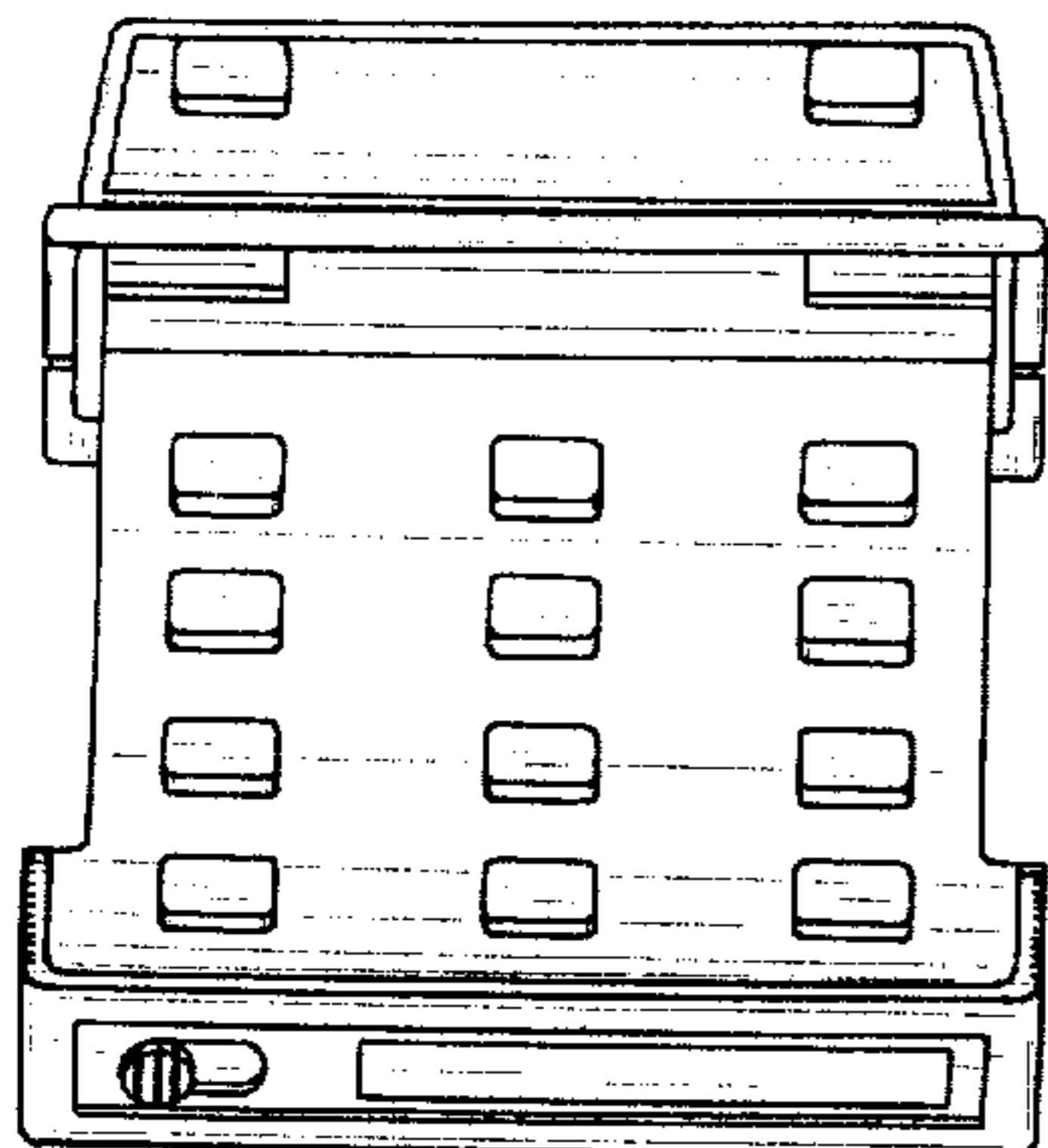


FIG. 2

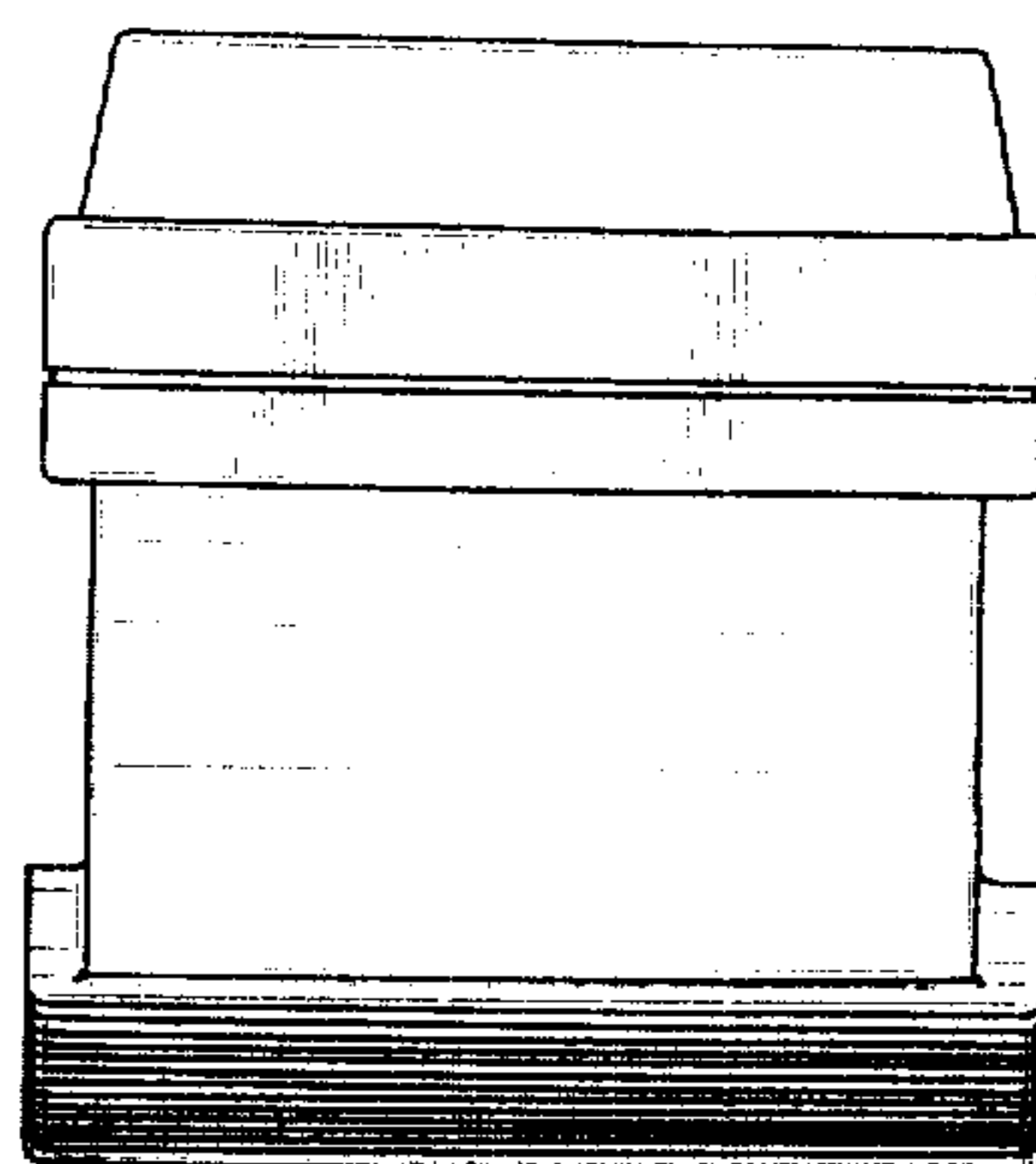


FIG. 3

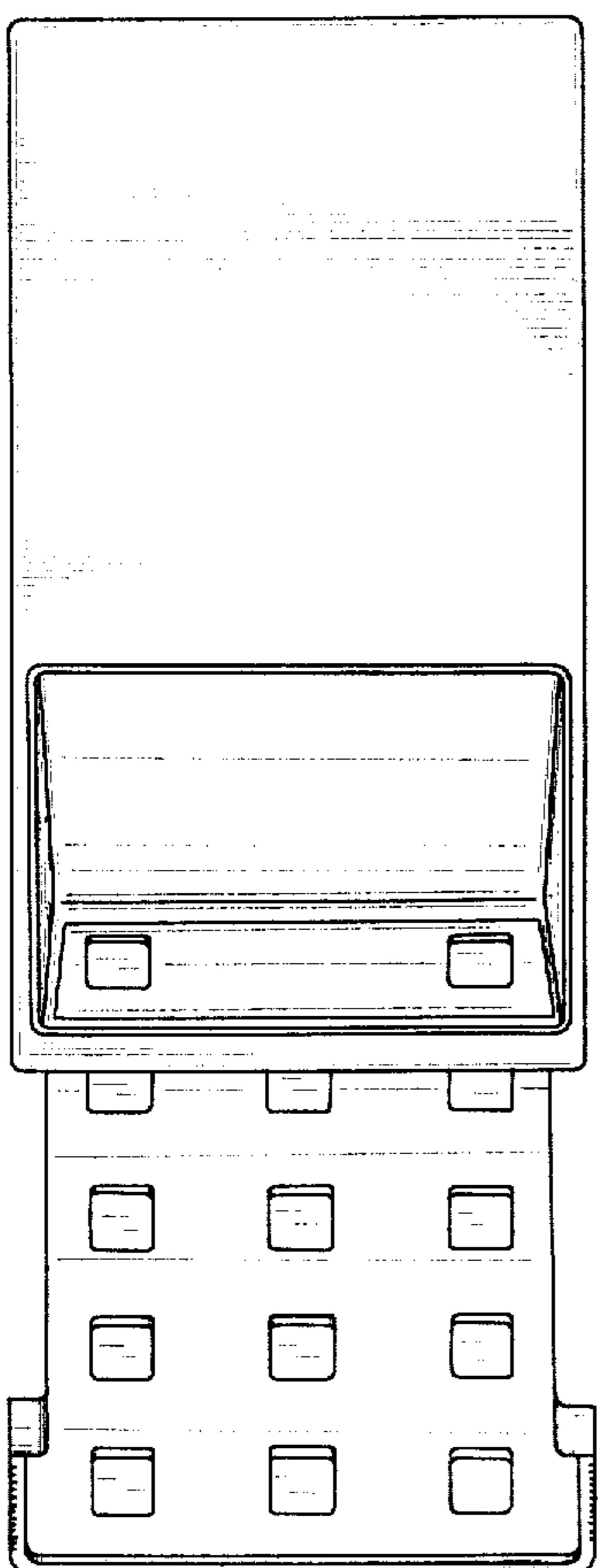


FIG. 4

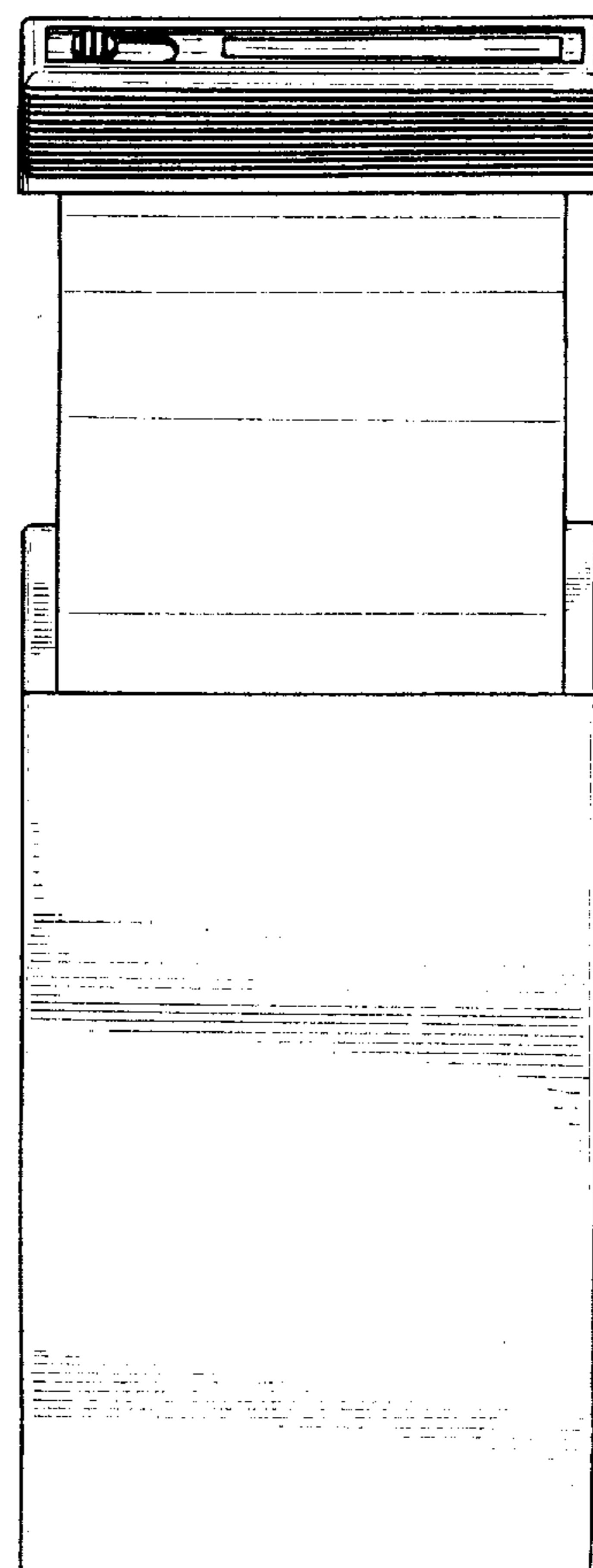


FIG. 5

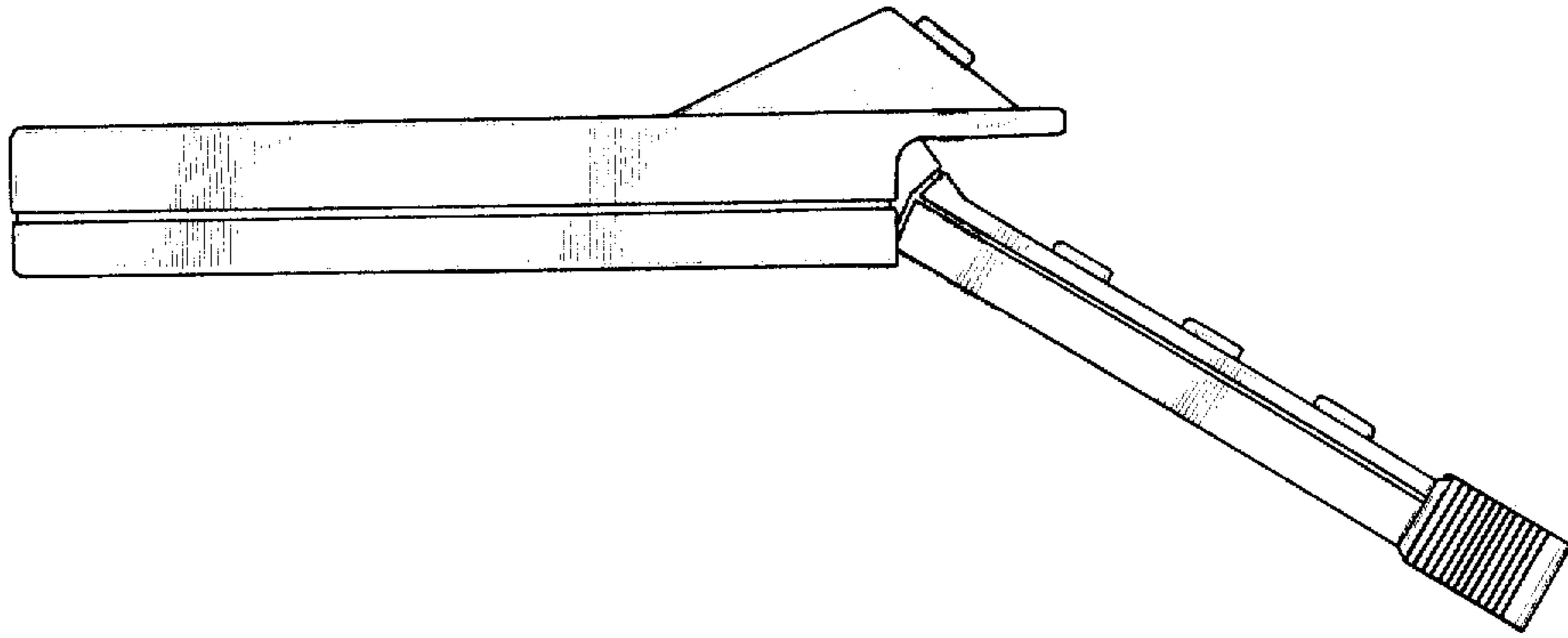


FIG. 6

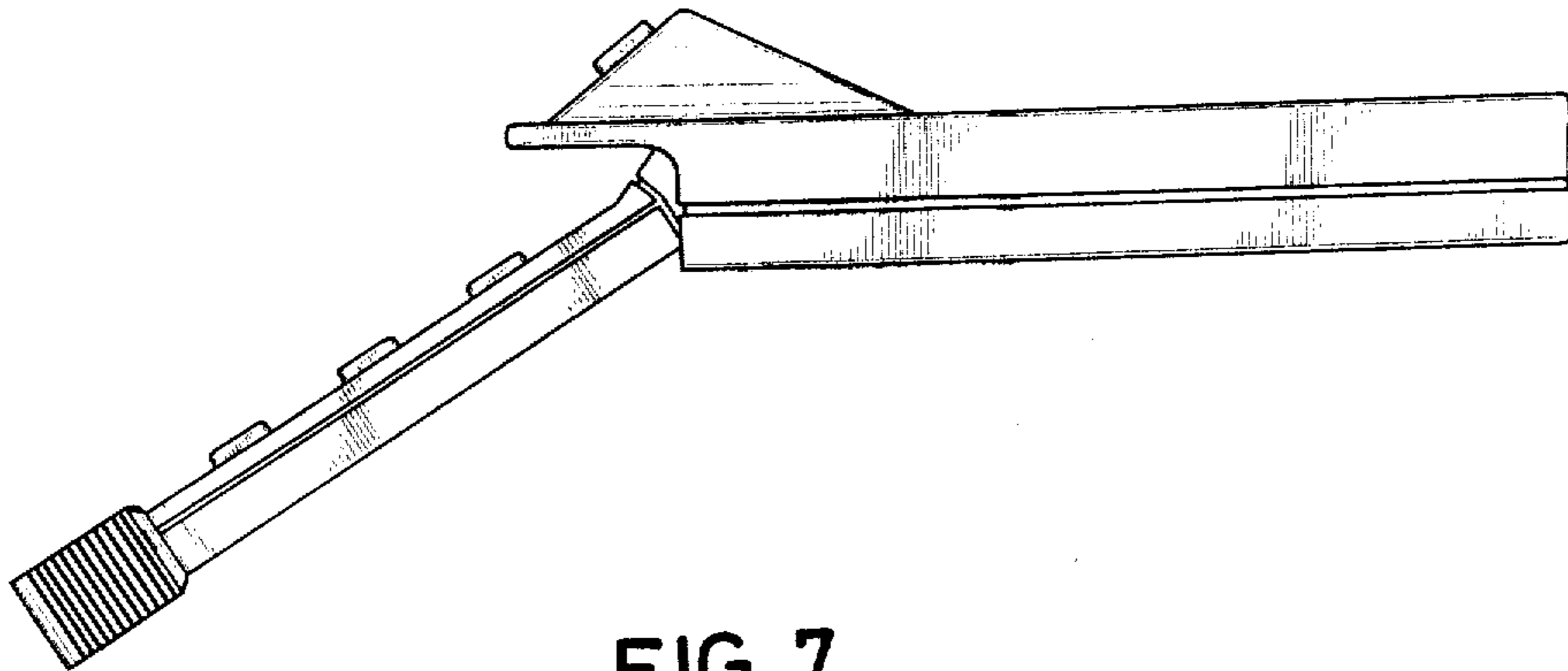


FIG. 7

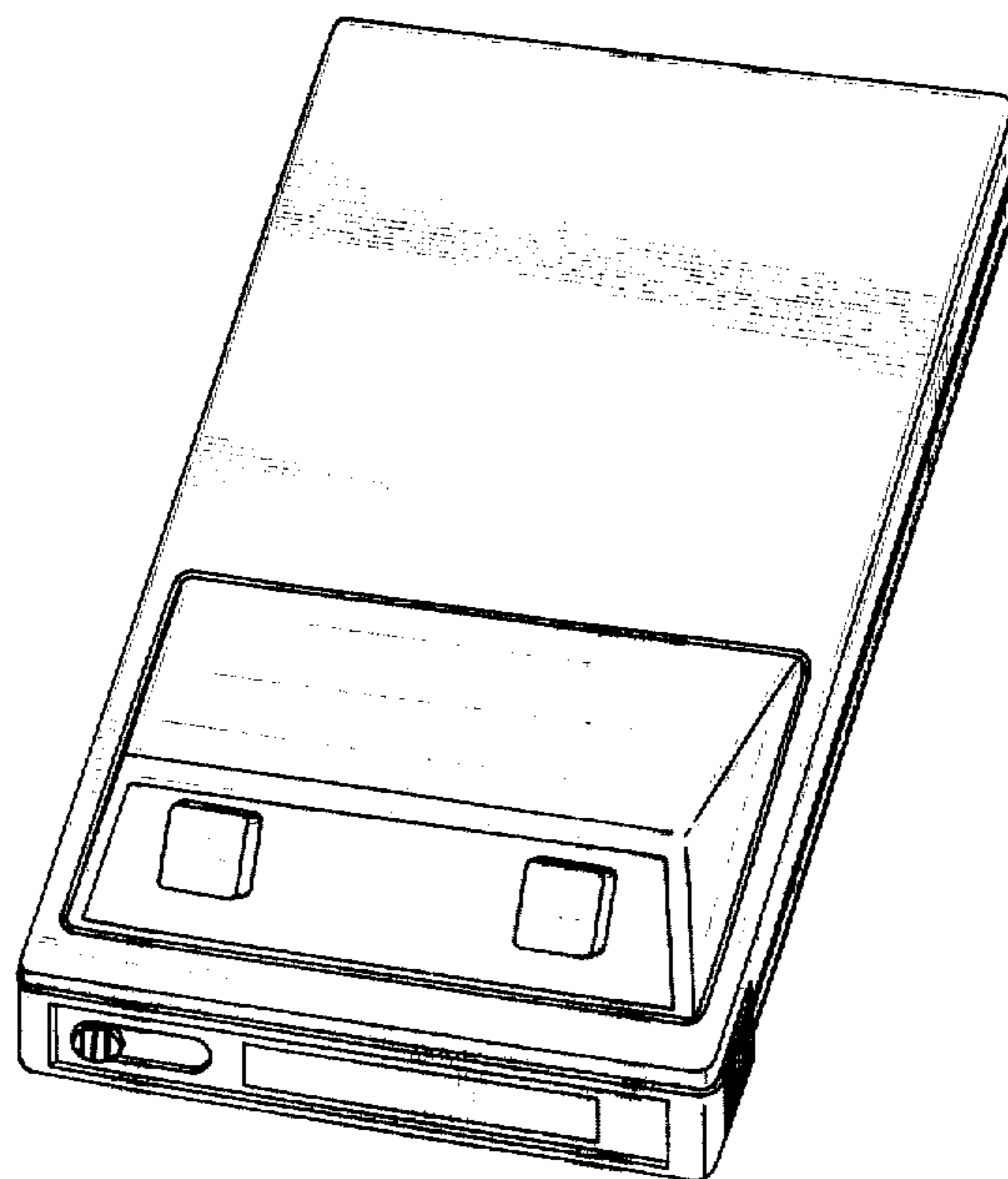


FIG. 8

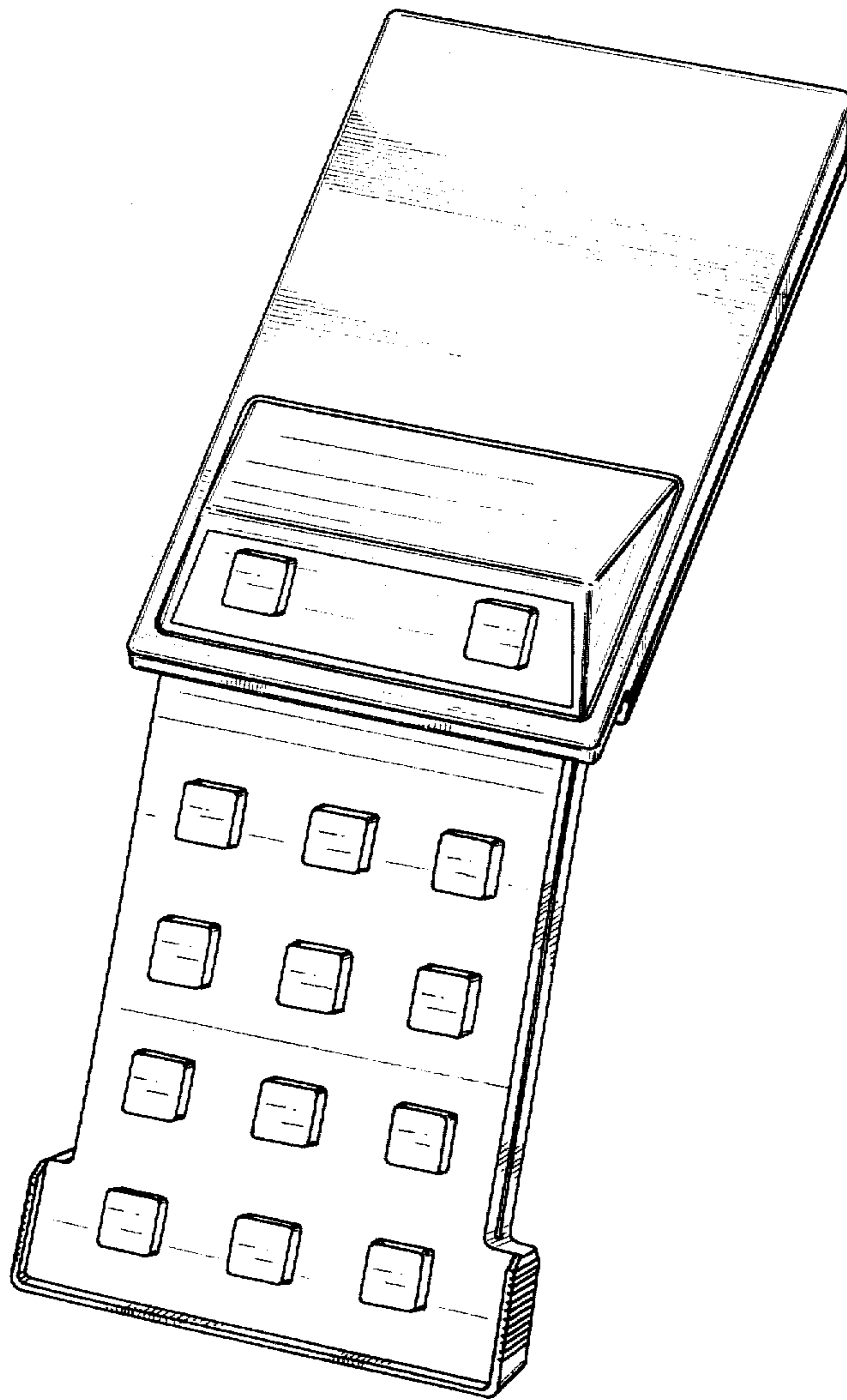


FIG. 9

