

[54] PORTABLE WIRELESS TELEPHONE SET

[75] Inventors: Hisao Fukushima; Junji Hirooka, both of Tokyo, Japan

[73] Assignee: Oki Electric Industry Co., Ltd., Tokyo, Japan

[**] Term: 14 Years

[21] Appl. No.: 78,176

[22] Filed: Sep. 24, 1979

[30] Foreign Application Priority Data

Apr. 13, 1979 [JP] Japan 54-014624

[51] Int. Cl. D14-03

[52] U.S. Cl. D14/53; D14/56

[58] Field of Search D14/53, 56, 62, 58; 179/26, 100 R, 100 D, 178, 179, 157

[56] References Cited

U.S. PATENT DOCUMENTS

- D. 203,831 2/1966 Chipping D14/53
- D. 220,960 6/1971 Heribertson D14/53
- D. 237,281 10/1975 Spranger et al. D14/53

- D. 256,234 8/1980 Fukushima et al. D14/56
- D. 256,235 8/1980 Fukushima et al. D14/56

Primary Examiner—Bernard Ansher
Attorney, Agent, or Firm—Berger & Palmer

[57] CLAIM

The ornamental design for a portable wireless telephone set, as shown and described.

DESCRIPTION

FIG. 1 is a front elevation of a portable wireless telephone set showing our new design; FIG. 2 is a top plan view thereof; FIG. 3 is a bottom plan view thereof; FIG. 4 is a rear elevation thereof; FIG. 5 is a left side elevation thereof; FIG. 6 is a right side elevation thereof; FIG. 7 is a top front perspective view thereof; FIG. 8 is a top front perspective view with the cover in a closed position; FIG. 9 is a top front perspective with the cover open and the handset removed from the telephone base; and FIG. 10 is a top front perspective view of the wireless telephone with the cover in an open condition and the handset in place.

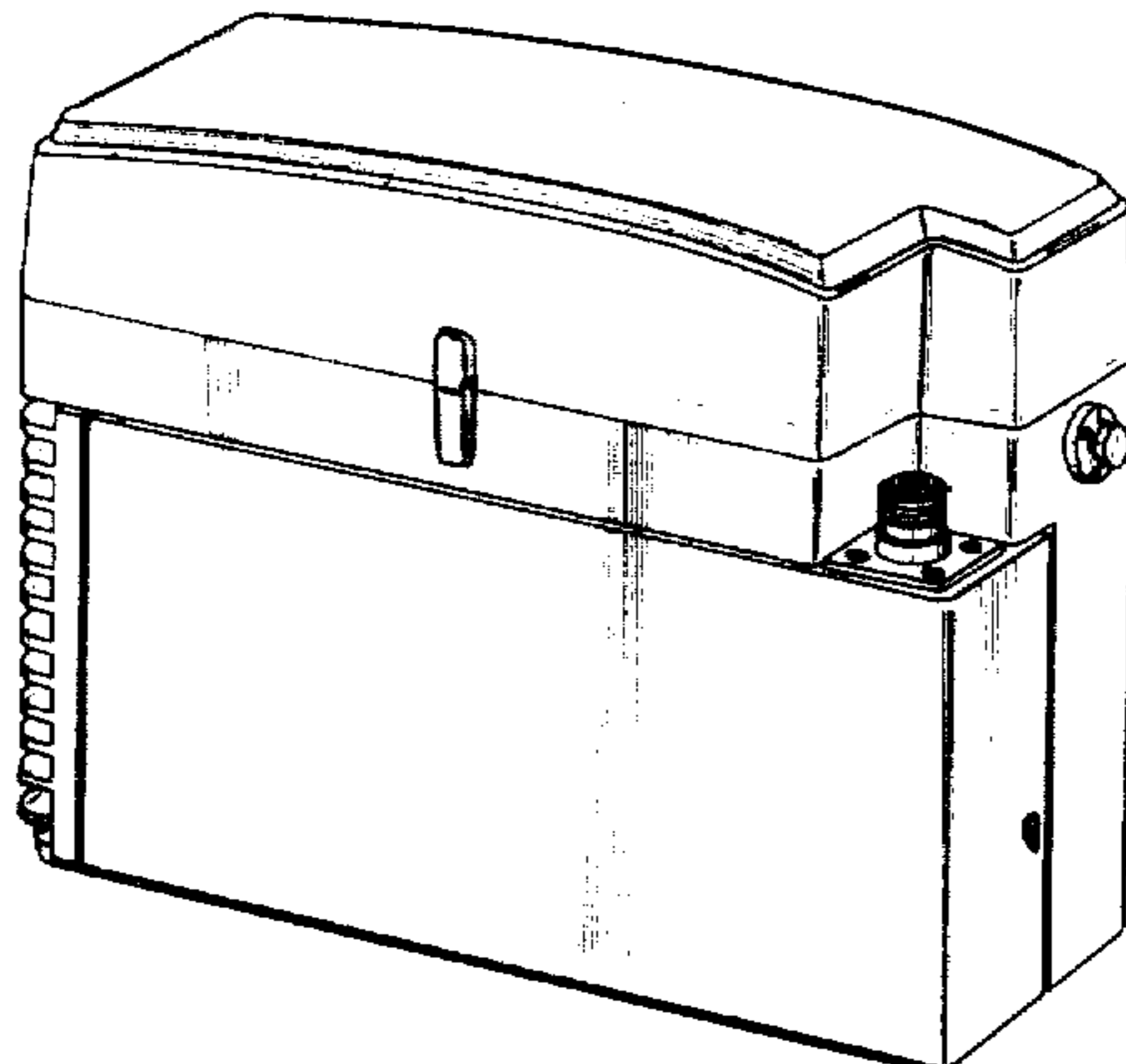
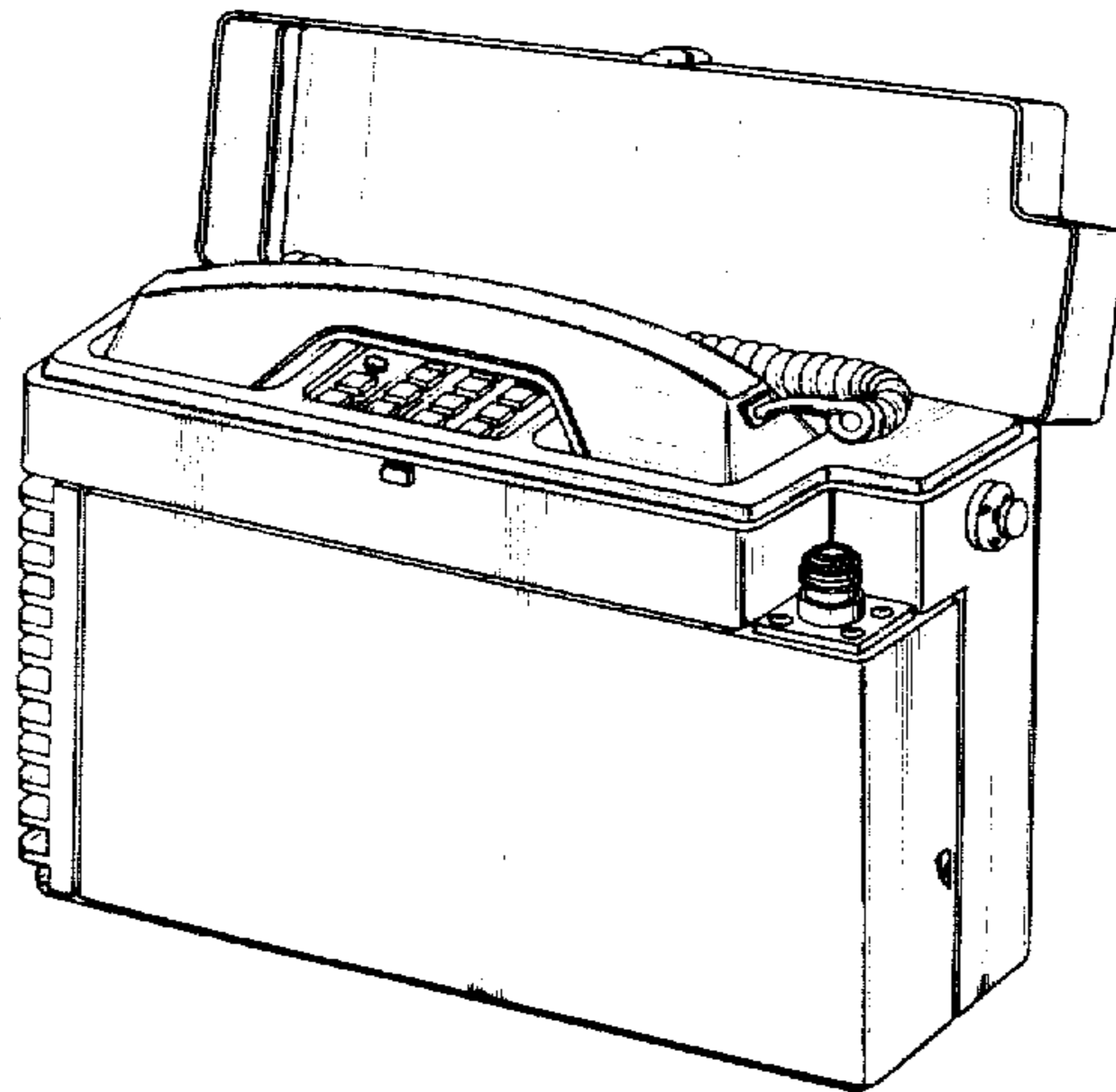


FIG. 1

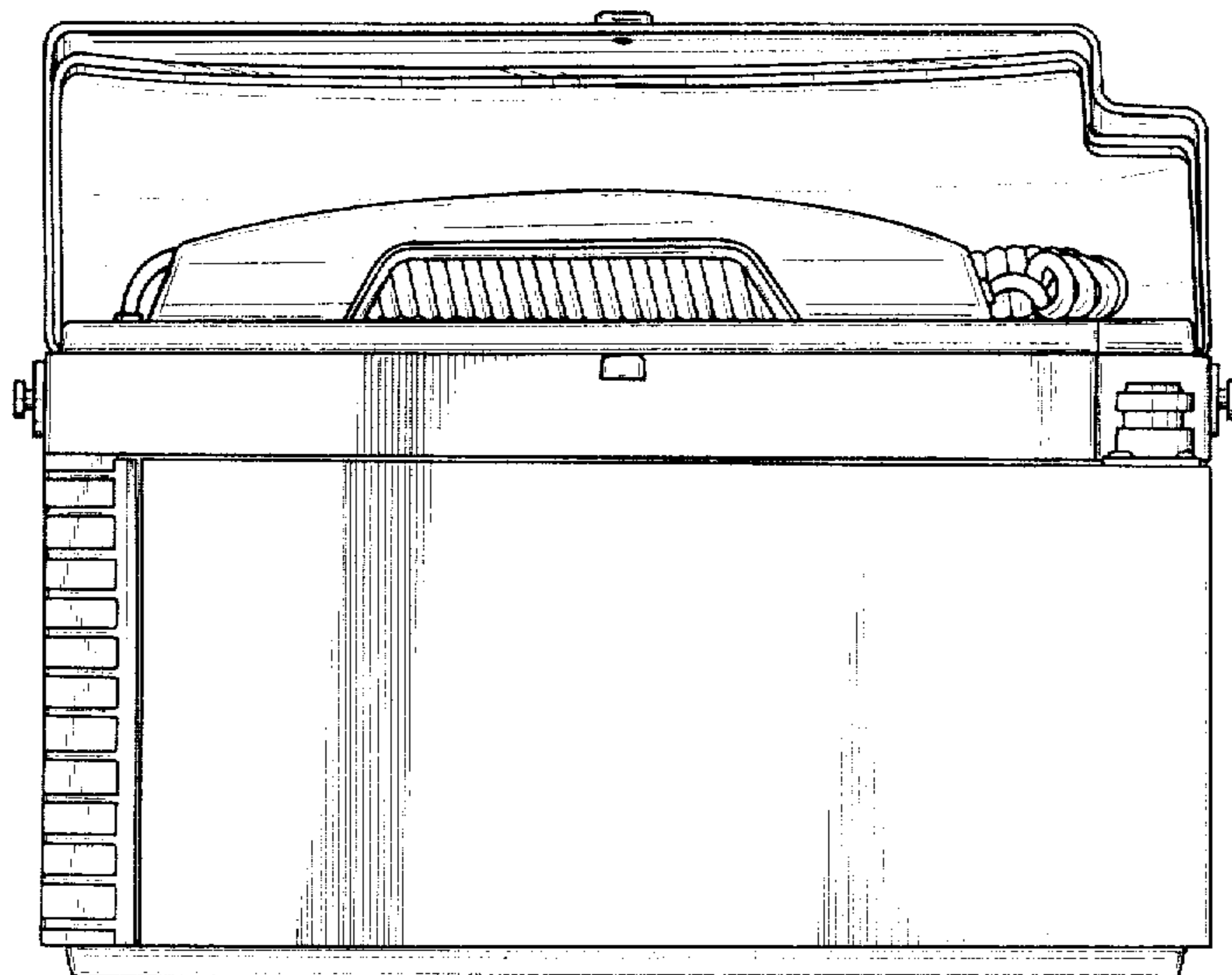


FIG. 2

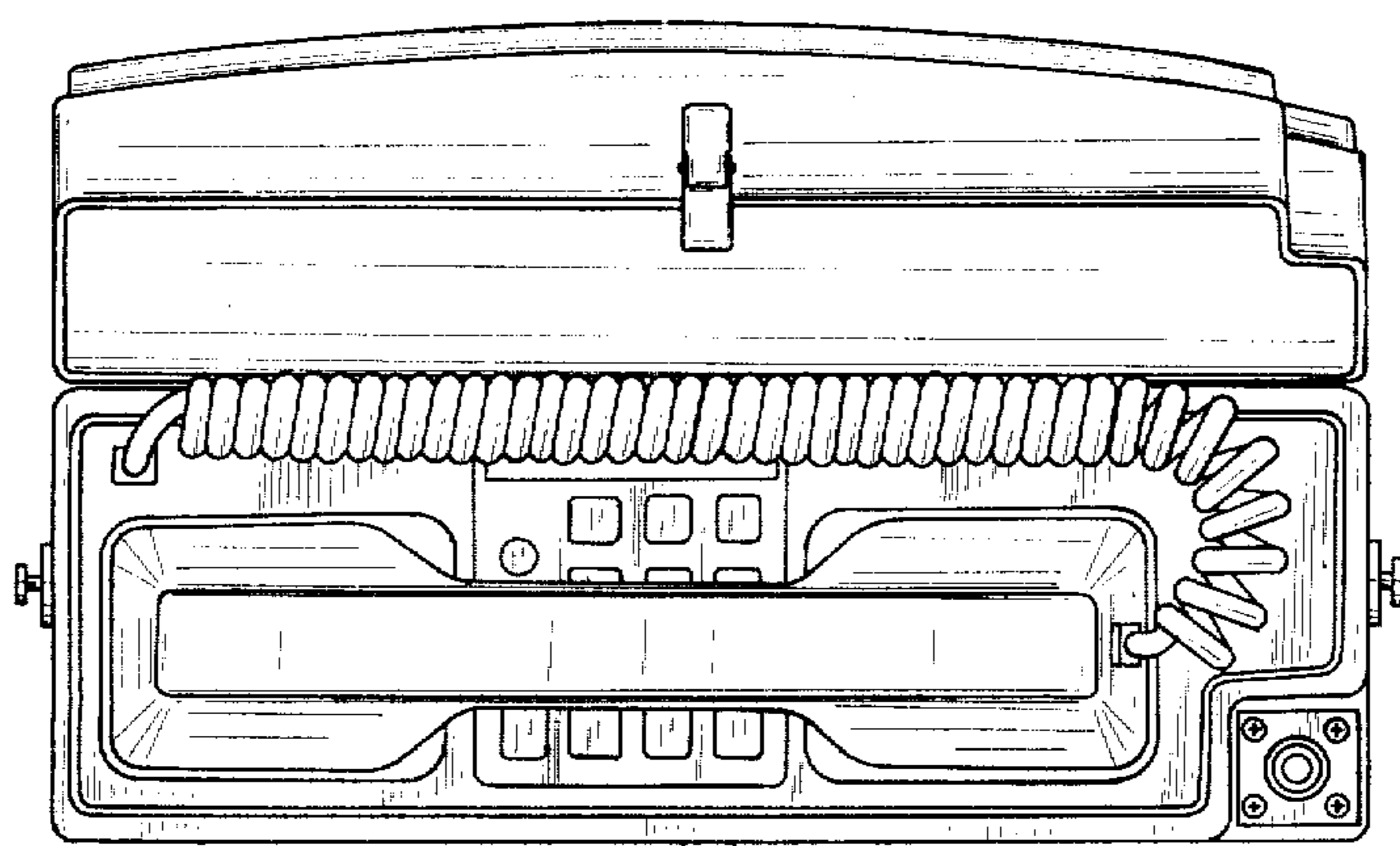


FIG. 3

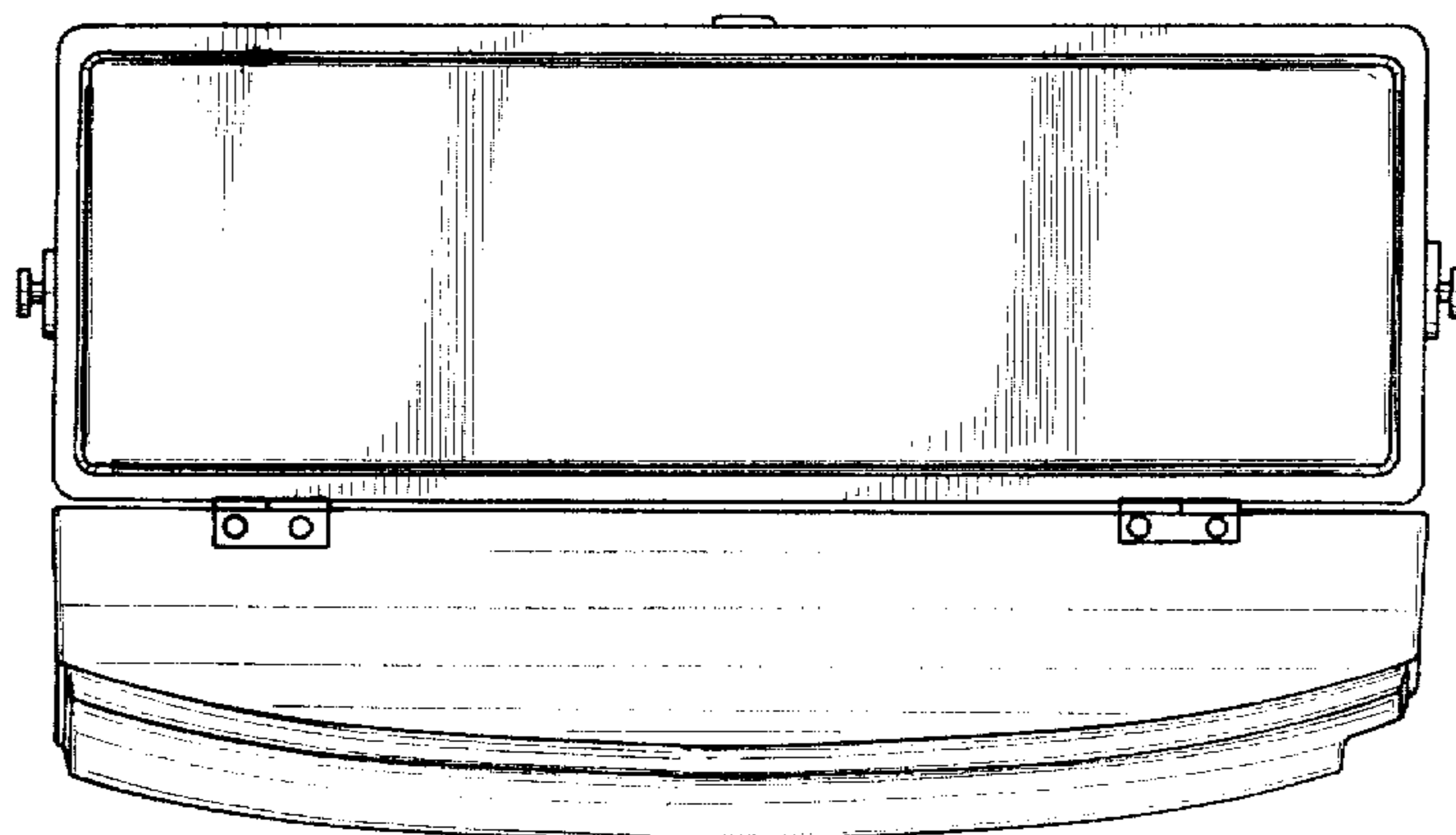


FIG. 4

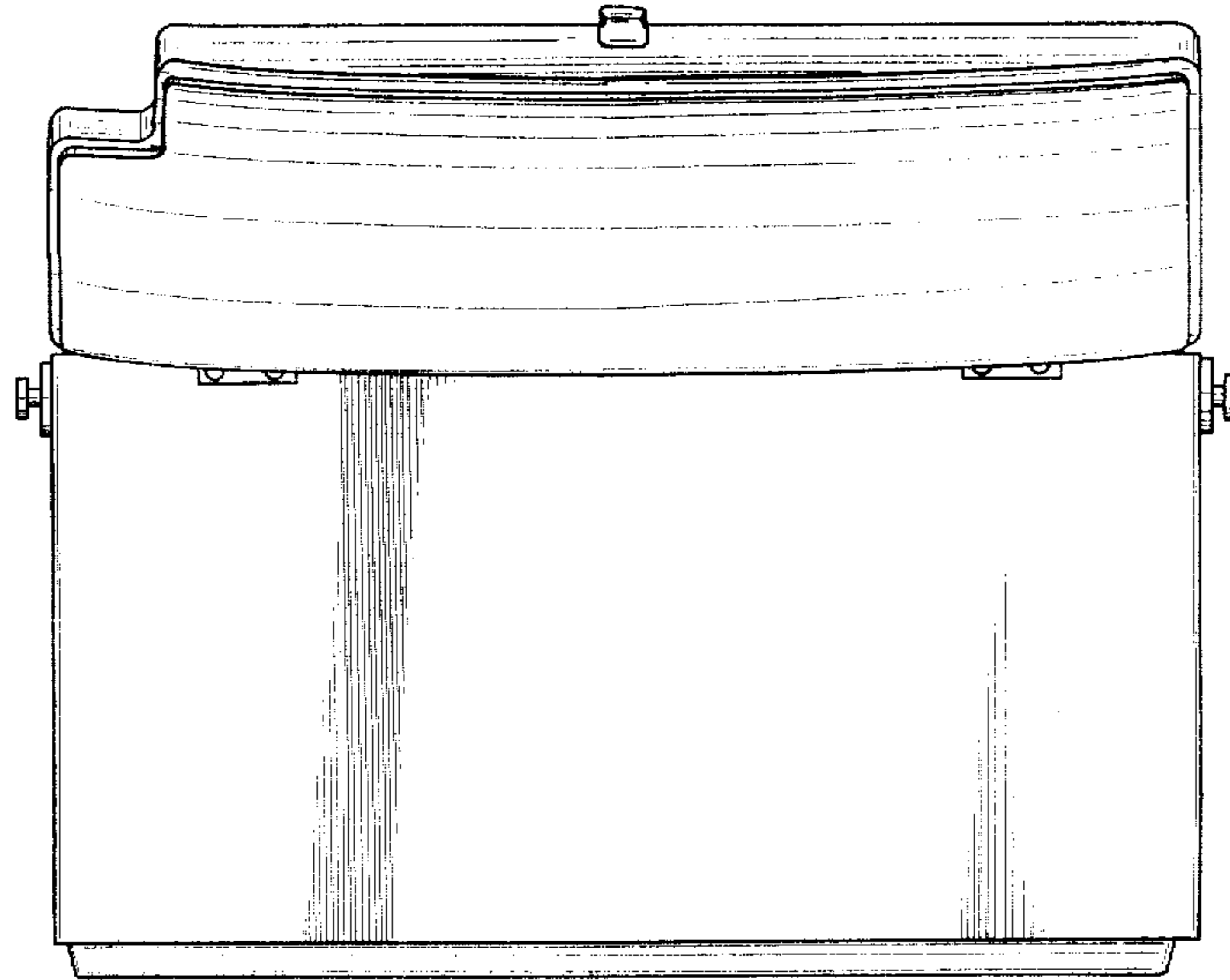


FIG. 5

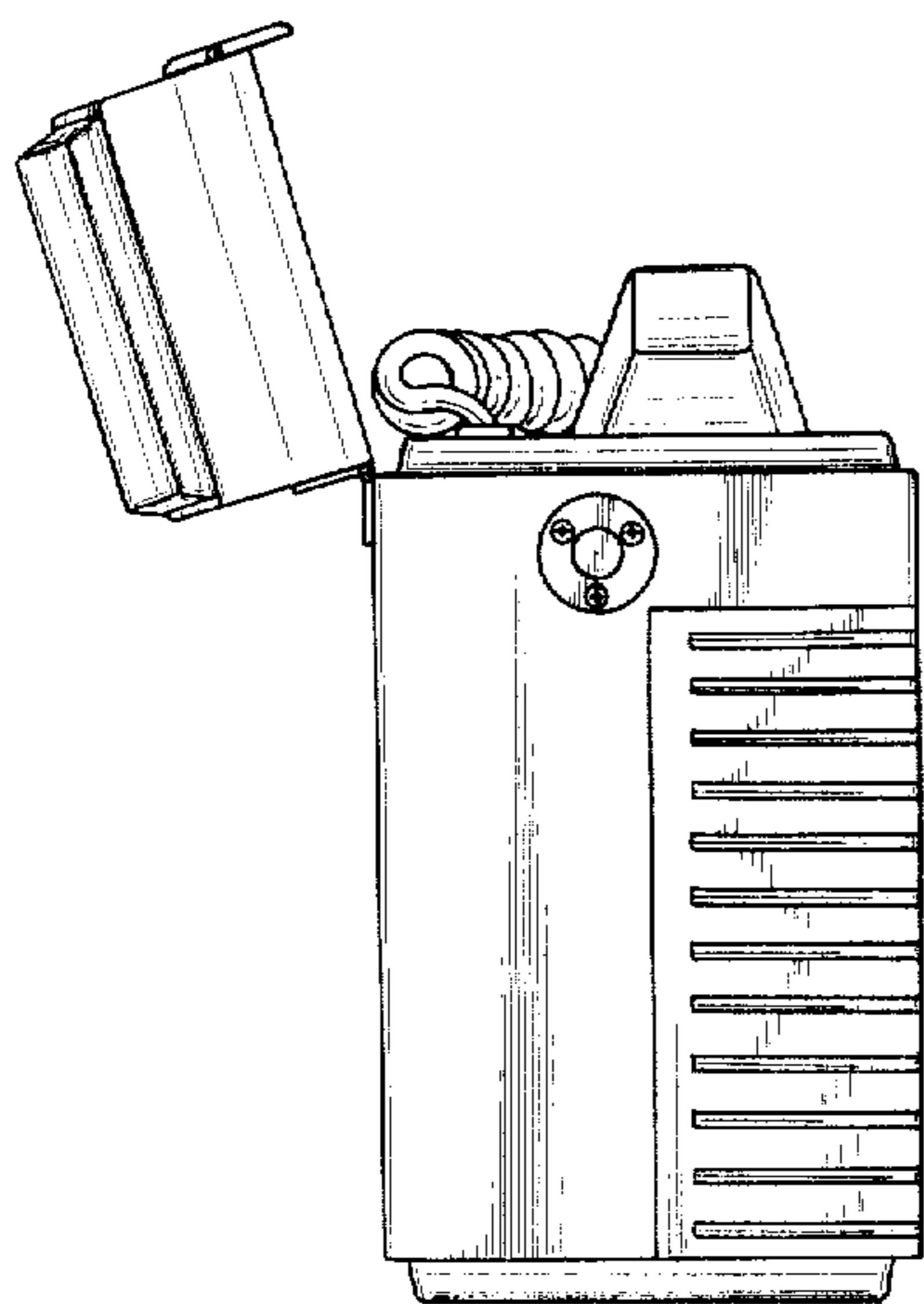


FIG. 6

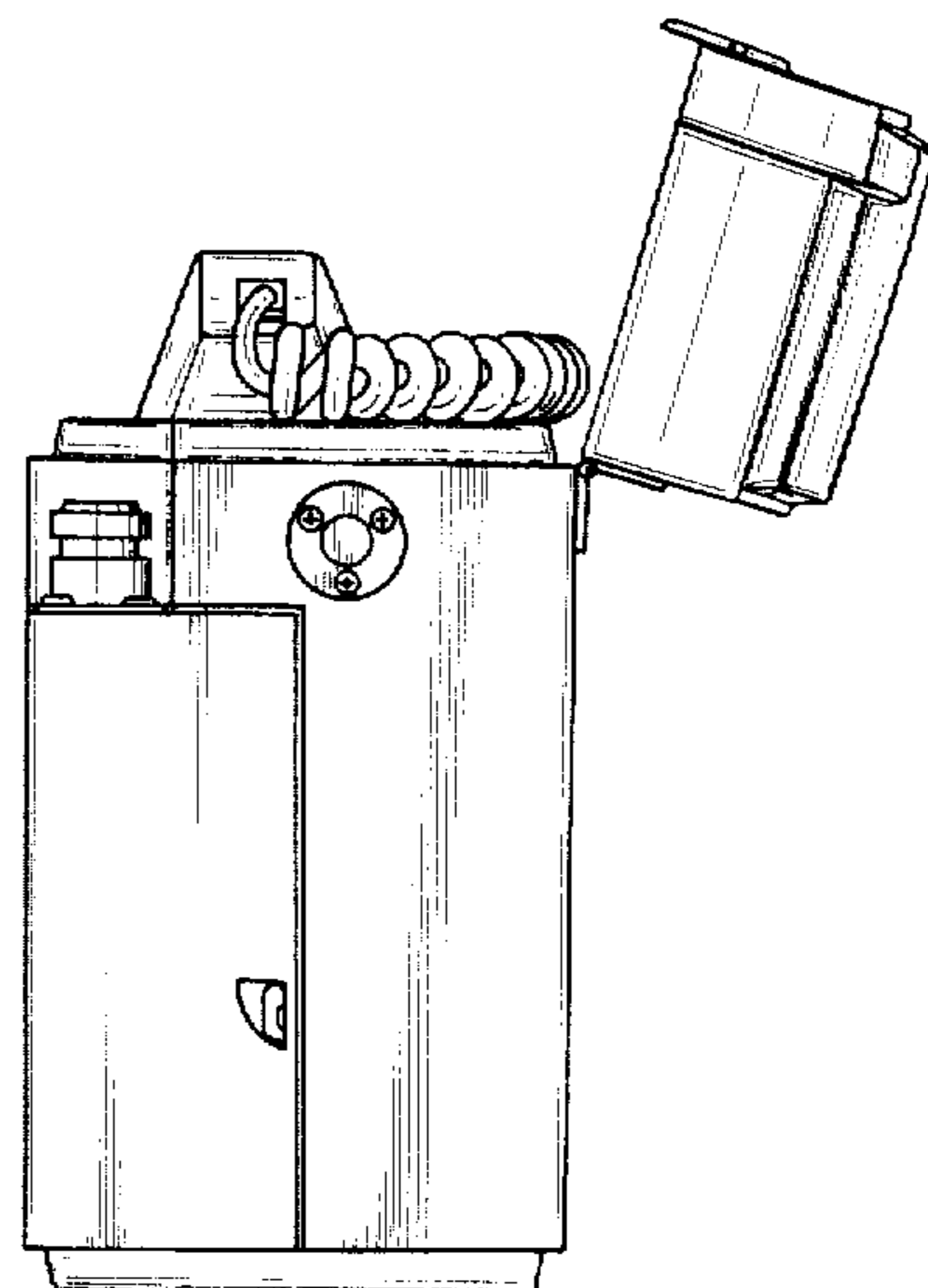


FIG. 7

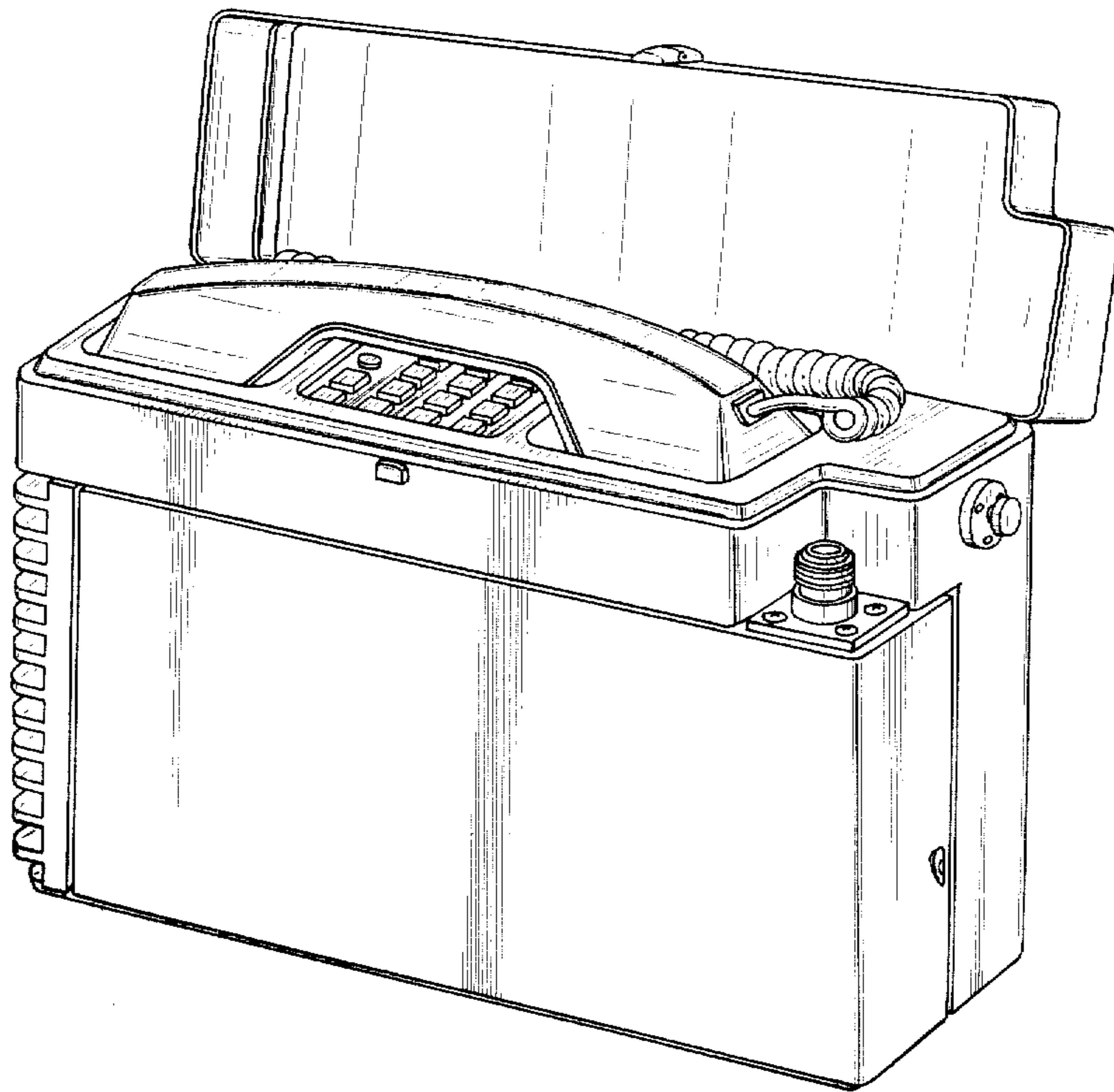


FIG. 8

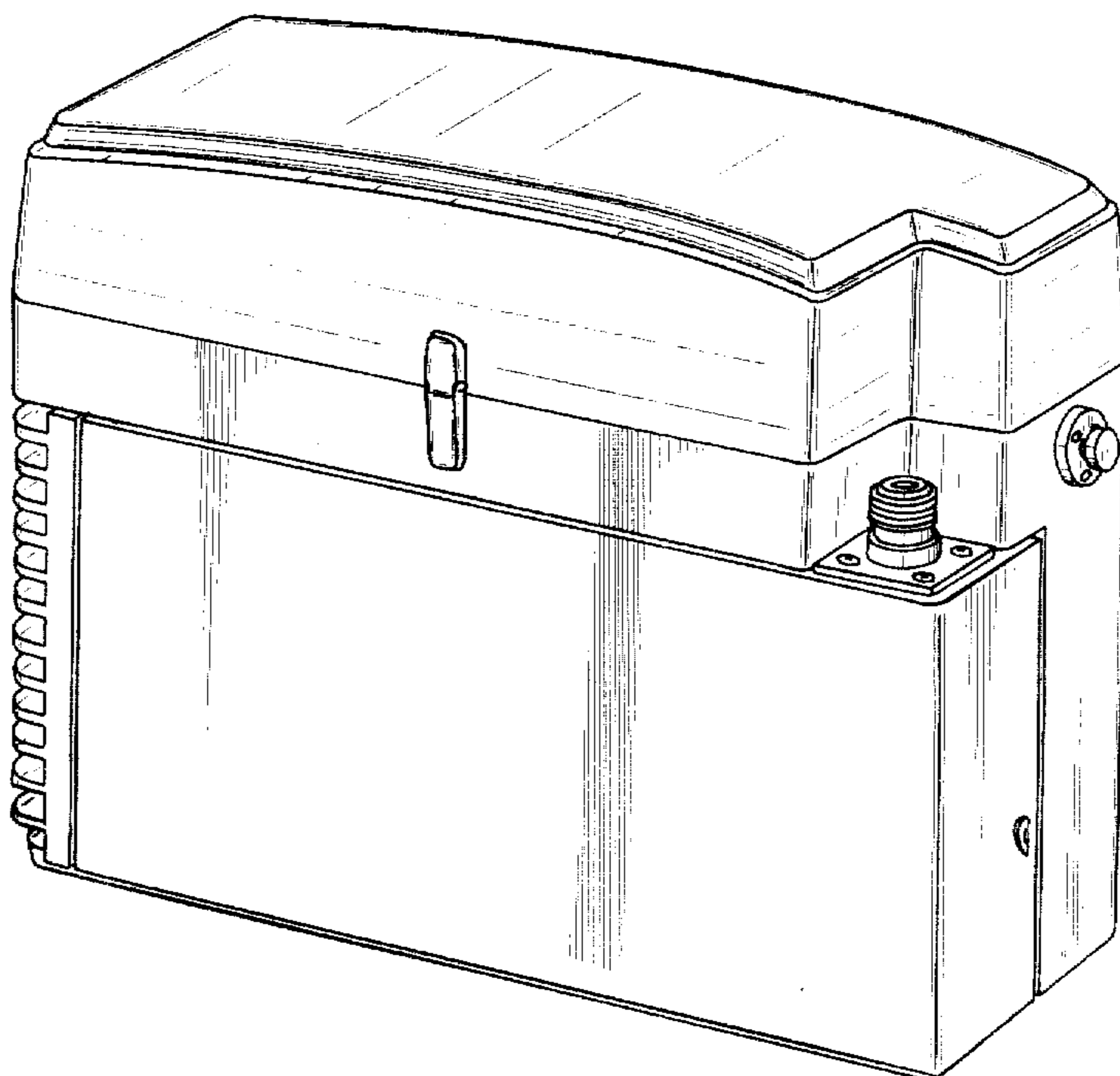


FIG. 9

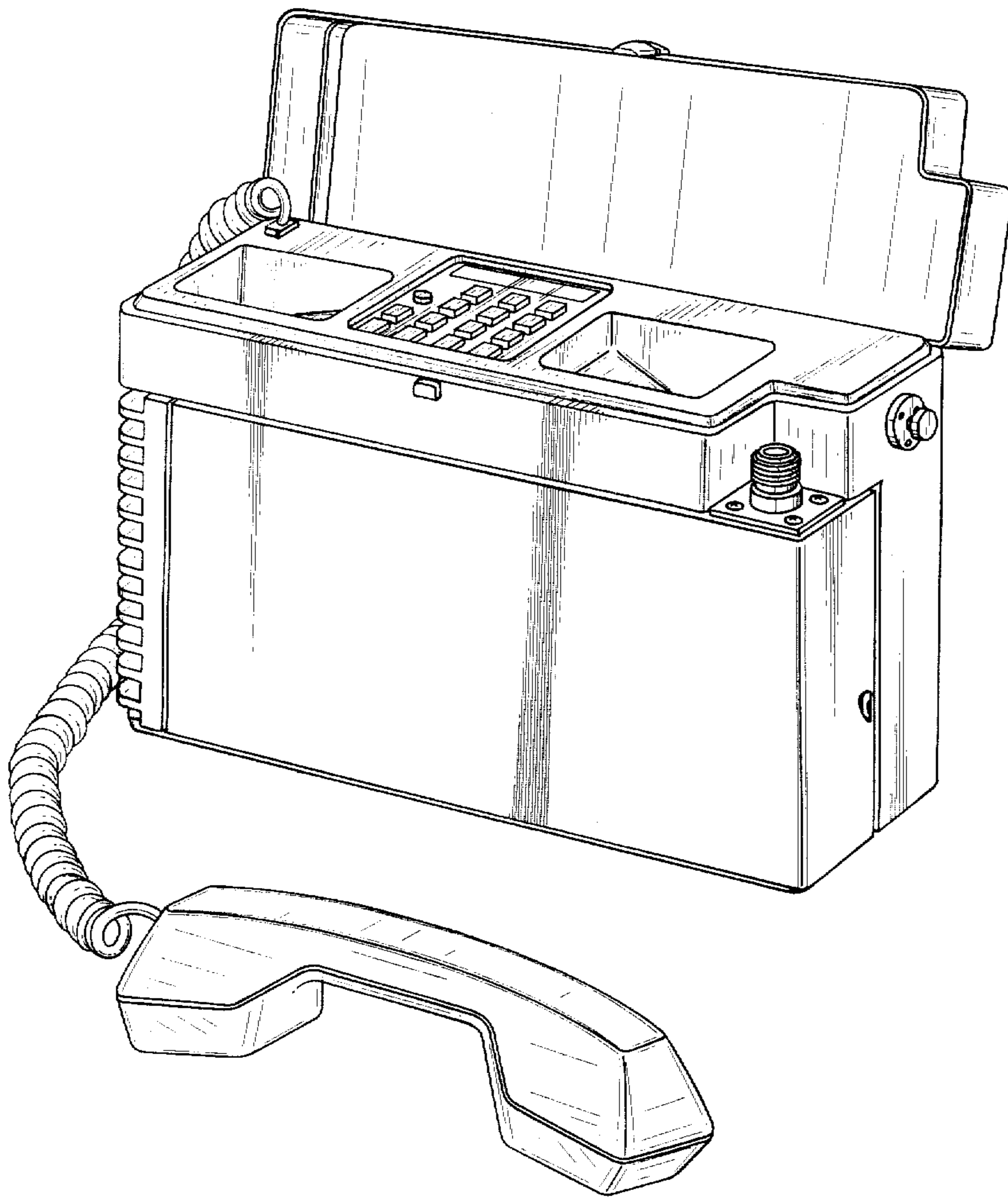


FIG. 10

