

[54] PORTABLE WIRELESS TELEPHONE SET

[75] Inventors: Hisao Fukushima; Junji Hirooka, both of Tokyo, Japan

[73] Assignee: Oki Electric Industry Co., Ltd., Tokyo, Japan

[**] Term: 14 Years

[21] Appl. No.: 72,357

[22] Filed: Sep. 4, 1979

[30] Foreign Application Priority Data

Apr. 12, 1979 [JP] Japan 54-014473

[51] Int. Cl. D14-03

[52] U.S. Cl. D14/53

[58] Field of Search D14/53, 56, 62, 58; 179/26, 100 R, 100 D, 178, 179, 157

[56]

References Cited

U.S. PATENT DOCUMENTS

D. 203,831	2/1966	Chipping	D14/53
D. 220,960	6/1971	Heribertson	D14/53
D. 237,281	10/1975	Spranger et al.	D14/53
D. 256,234	8/1980	Fukushima et al.	D14/56
D. 256,235	8/1980	Fukushima et al.	D14/56

Primary Examiner—Bernard Ansher
Attorney, Agent, or Firm—Berger & Palmer

[57]

CLAIM

The ornamental design for a portable wireless telephone set, as shown and described.

DESCRIPTION

FIG. 1 is a front elevation of a portable wireless telephone set showing our new design; FIG. 2 is a top plan view thereof; FIG. 3 is a bottom plan view thereof; FIG. 4 is a rear elevation thereof; FIG. 5 is a left side elevation thereof; FIG. 6 is a right side elevation thereof; FIG. 7 is a top rear perspective view thereof; and FIG. 8 is a top rear perspective view similar to FIG. 7, with the telephone handset removed from the base.

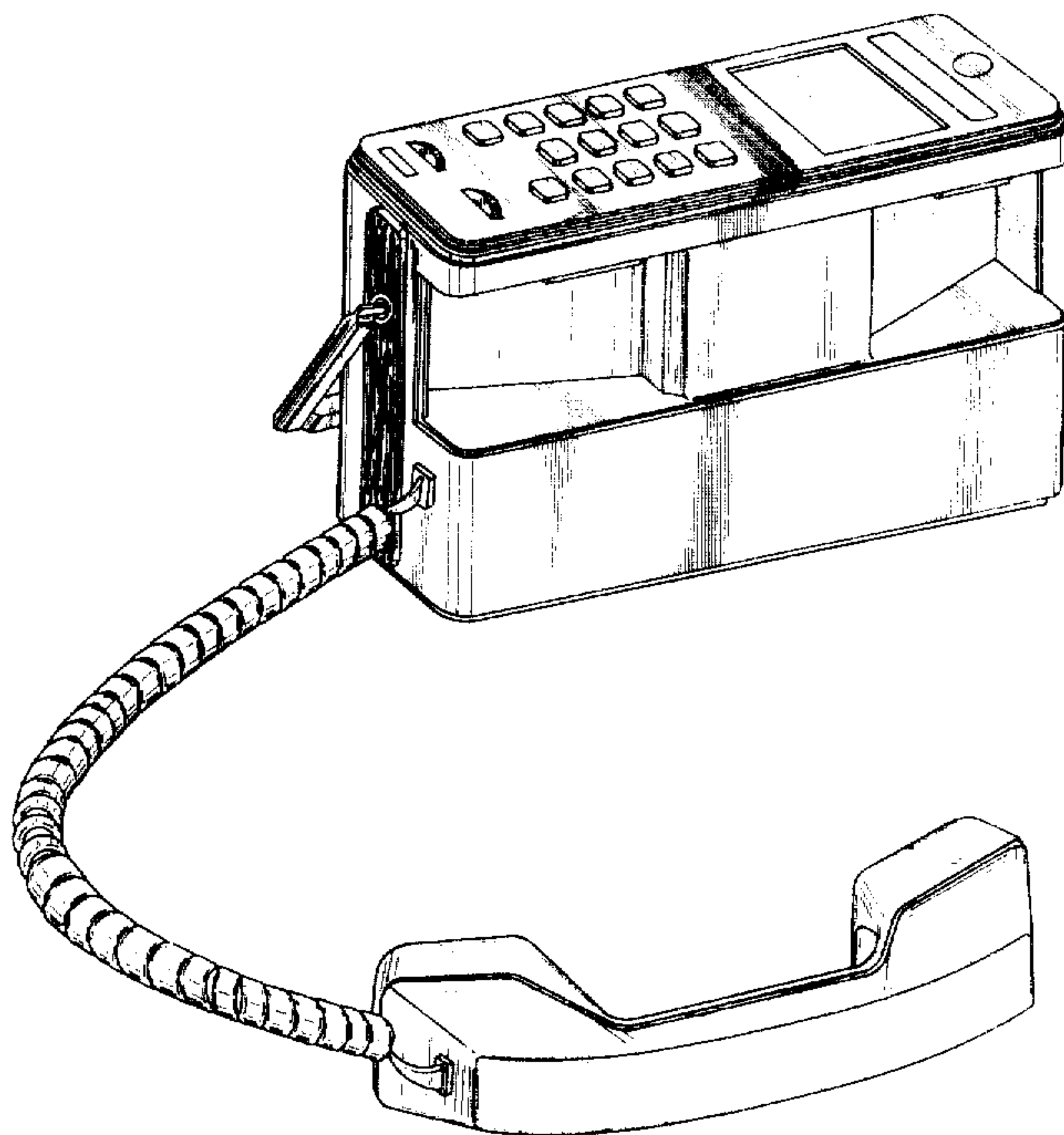


FIG. 1

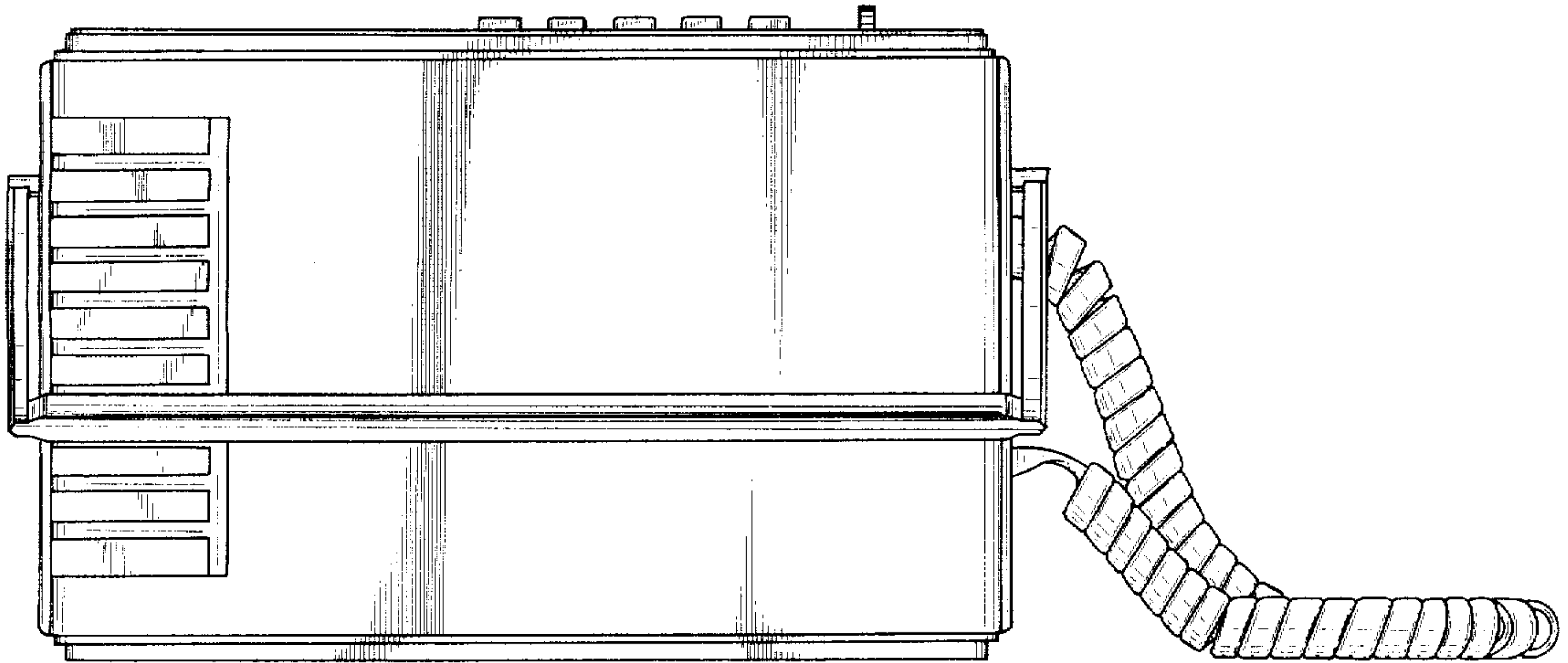


FIG. 2

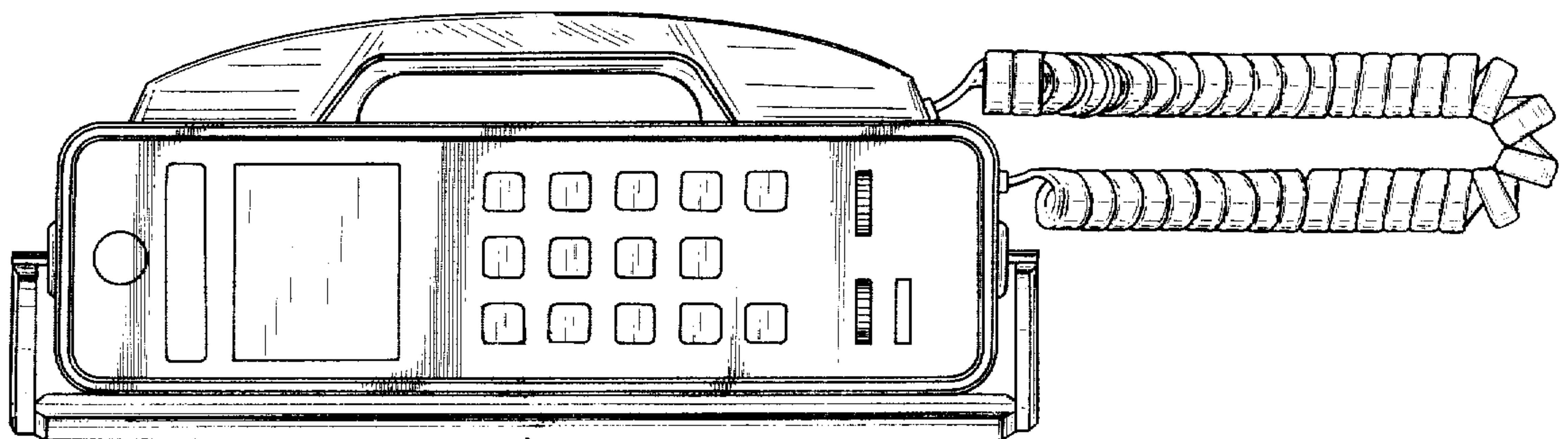


FIG. 3

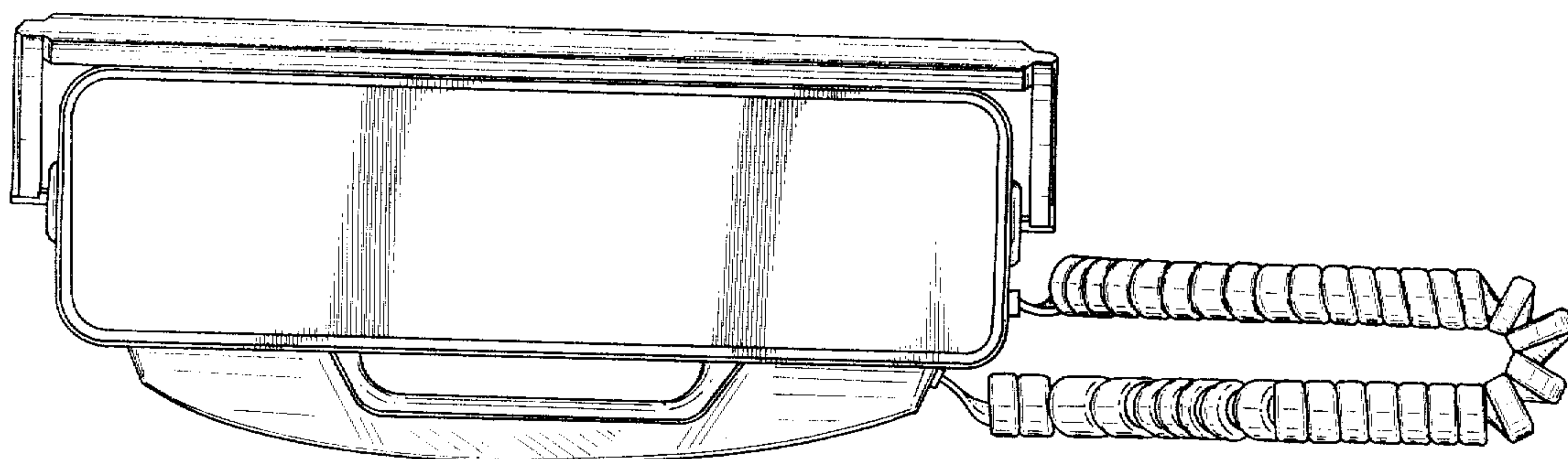


FIG. 4

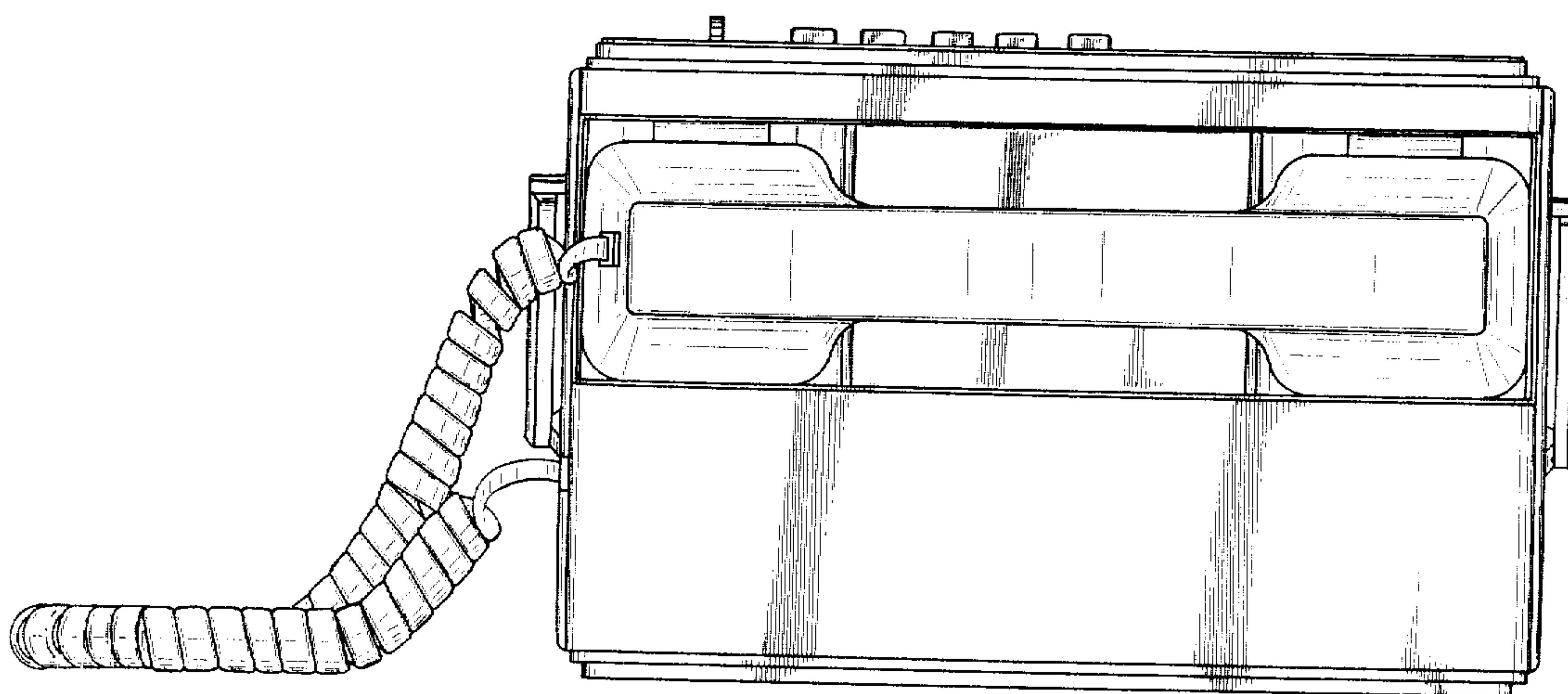


FIG. 5

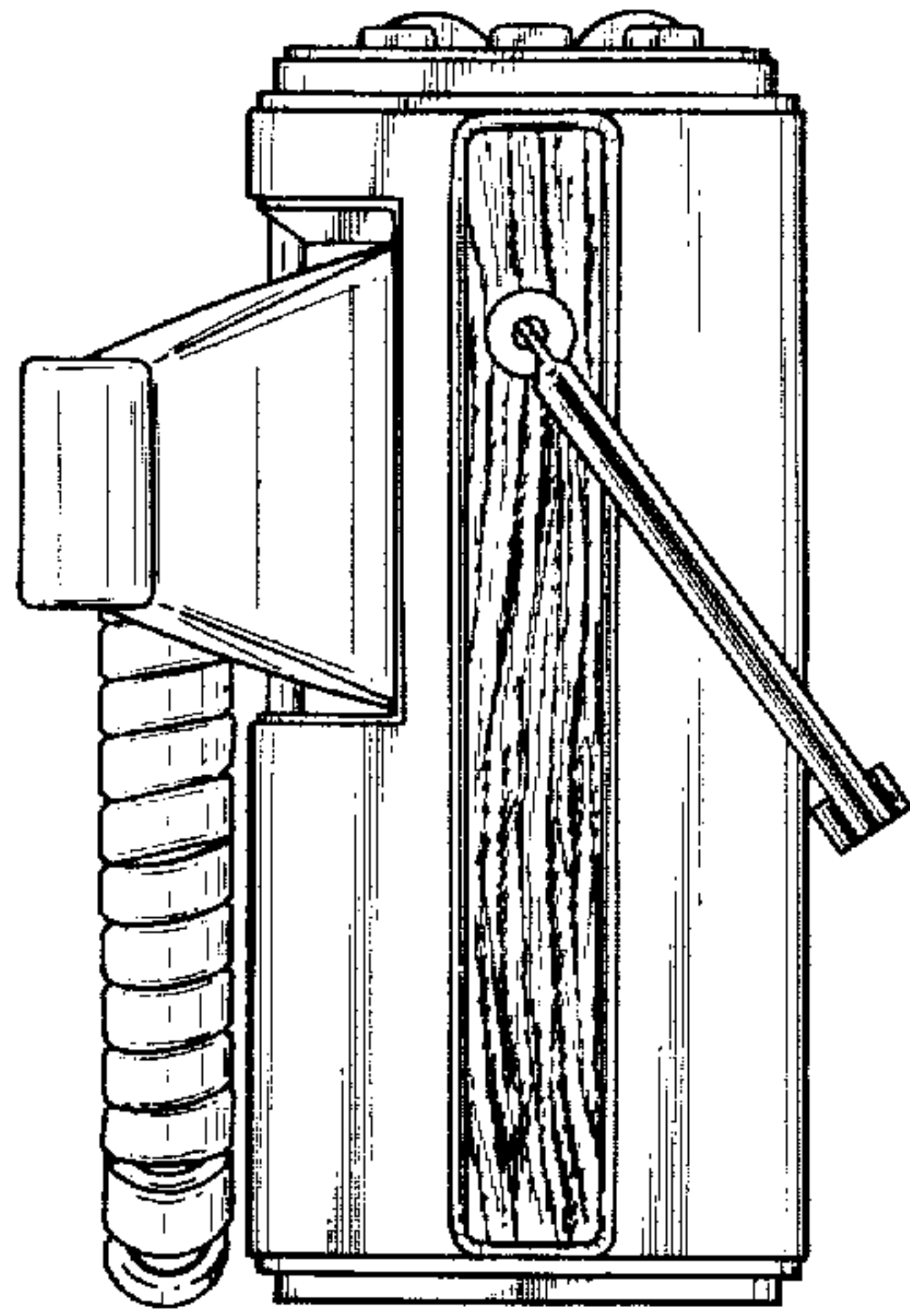


FIG. 6

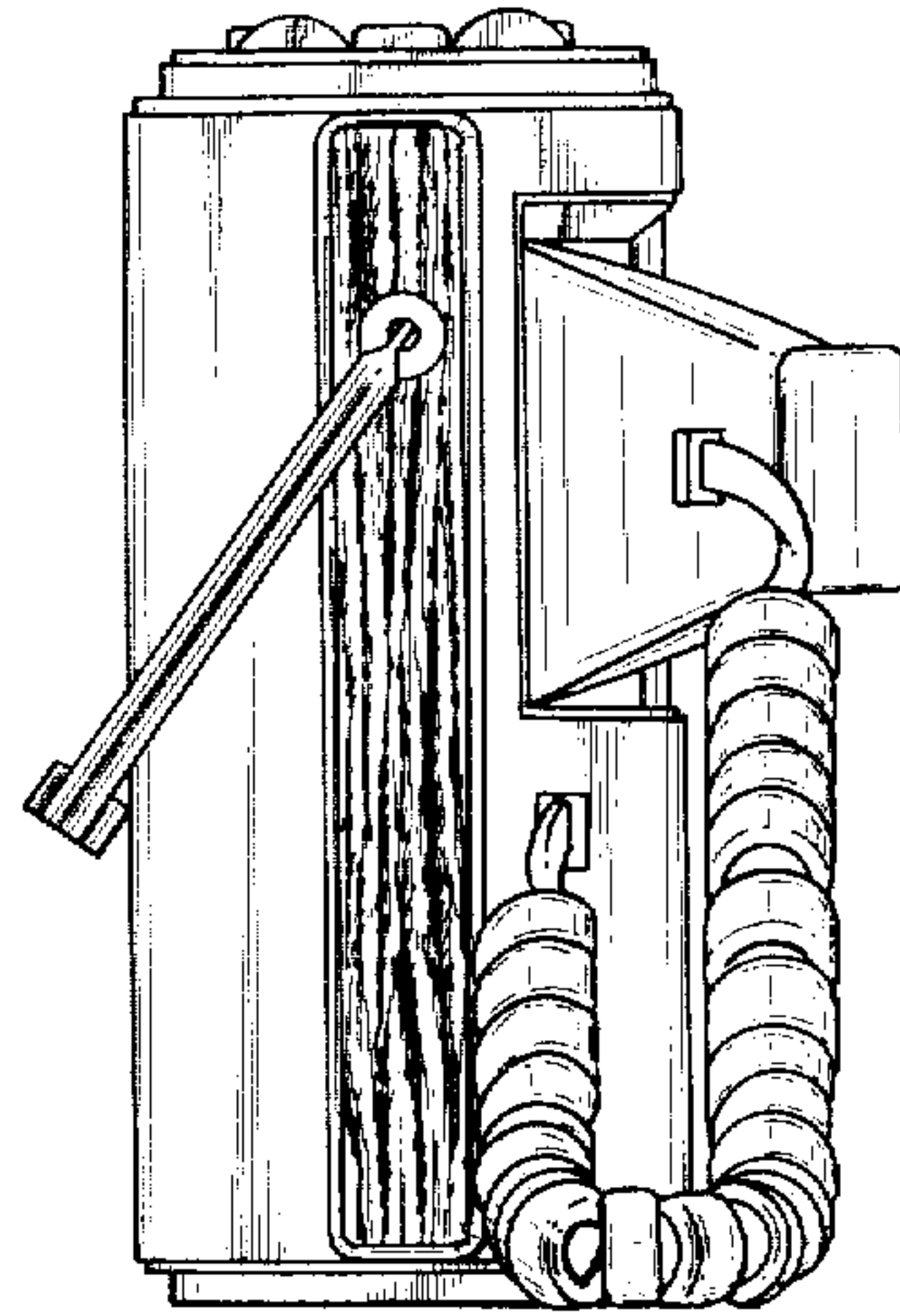


FIG. 7

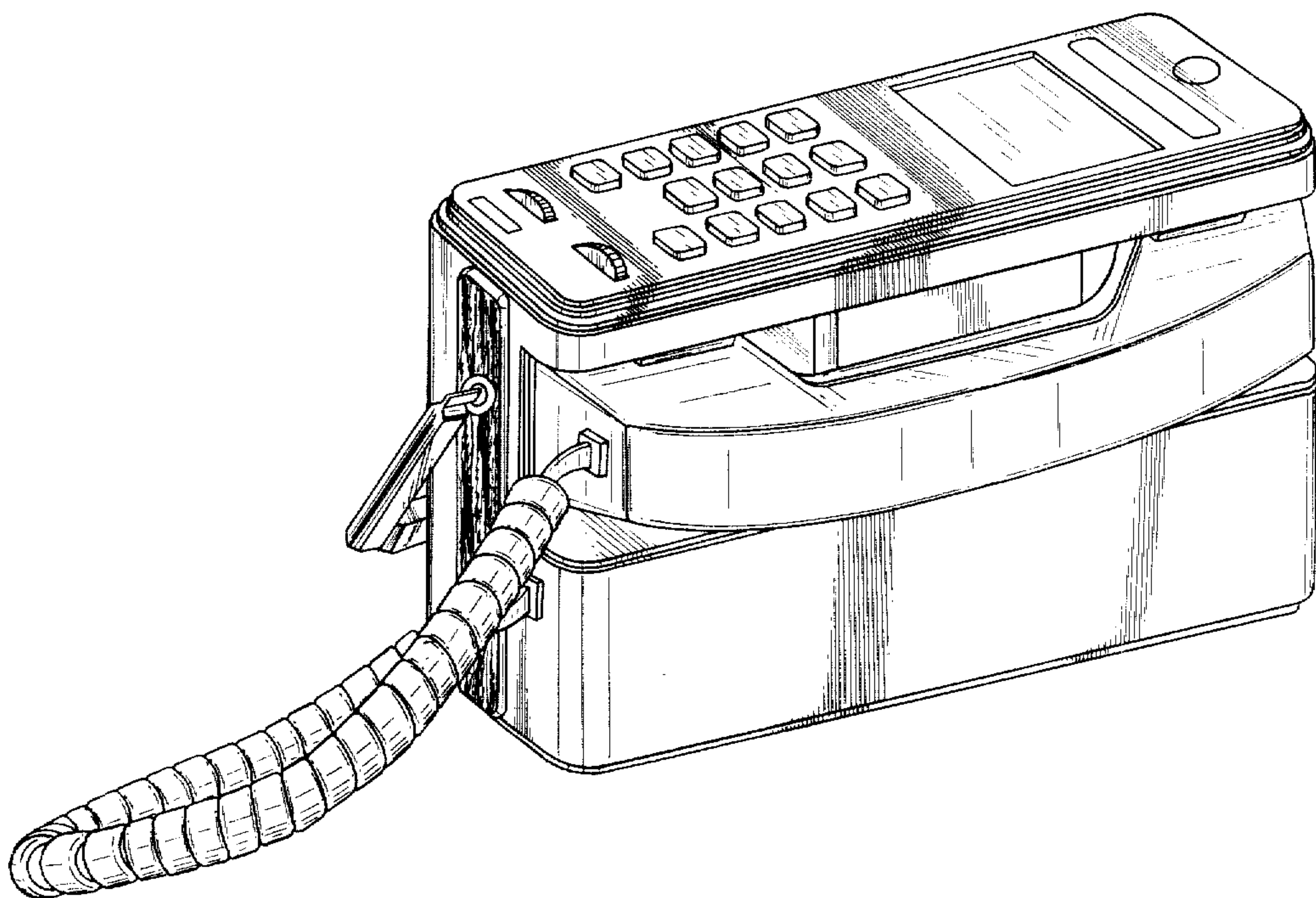


FIG. 8

