

[54] **TAPE CARTRIDGE**
[75] **Inventor: Kaoru Morita, Yokohama, Japan**
[73] **Assignee: Echo Sonic Co., Ltd., Tokyo, Japan**
[**] **Term: 14 Years**
[21] **Appl. No.: 118,825**
[22] **Filed: Feb. 5, 1980**
[30] **Foreign Application Priority Data**
Oct. 3, 1979 [JP] Japan 54-04172
[51] **Int. Cl. D14-99**
[52] **U.S. Cl. D14/11**
[58] **Field of Search D14/11; 206/387; D3/35**
[56] **References Cited**
U.S. PATENT DOCUMENTS
D. 180,881 8/1957 Murdoch D14/11
D. 221,438 8/1971 Saito D14/11

4,230,225 10/1980 Okada et al. 206/387

OTHER PUBLICATIONS

High Fidelity, 3-79, p. 103, cassette removed from box, in foreground.

Primary Examiner—Jane E. Corrigan
Attorney, Agent, or Firm—James C. Wray

[57] **CLAIM**

The ornamental design for a tape cartridge, as shown.

DESCRIPTION

FIG. 1 is a front elevational view of a tape cartridge showing my new design;
FIG. 2 is a top plan view;
FIG. 3 is a rear elevational view;
FIG. 4 is a bottom plan view;
FIG. 5 is a side elevational view;
FIG. 6 is a side elevational view; and
FIG. 7 is a front, top and left side perspective view.

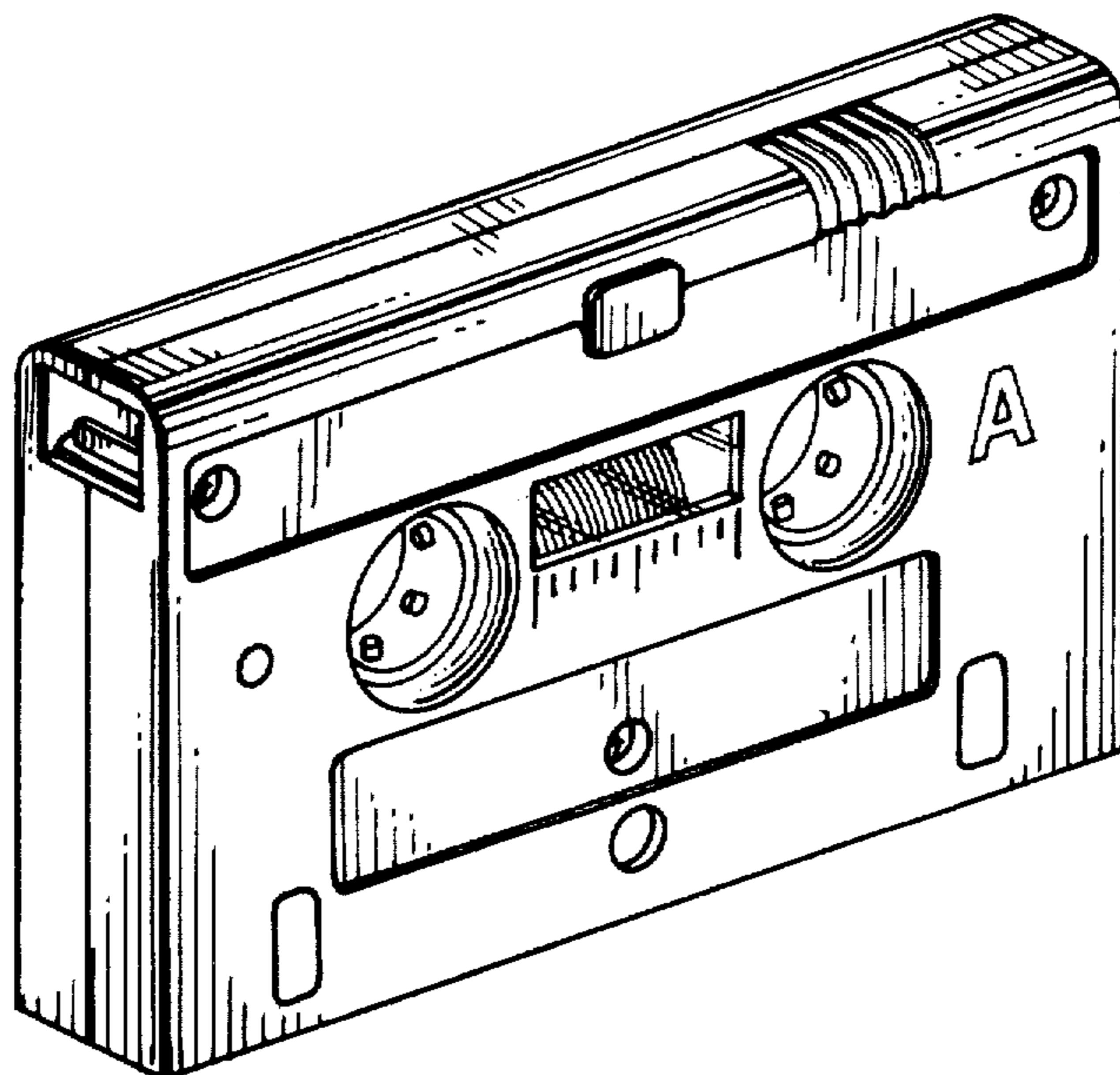


FIG.1

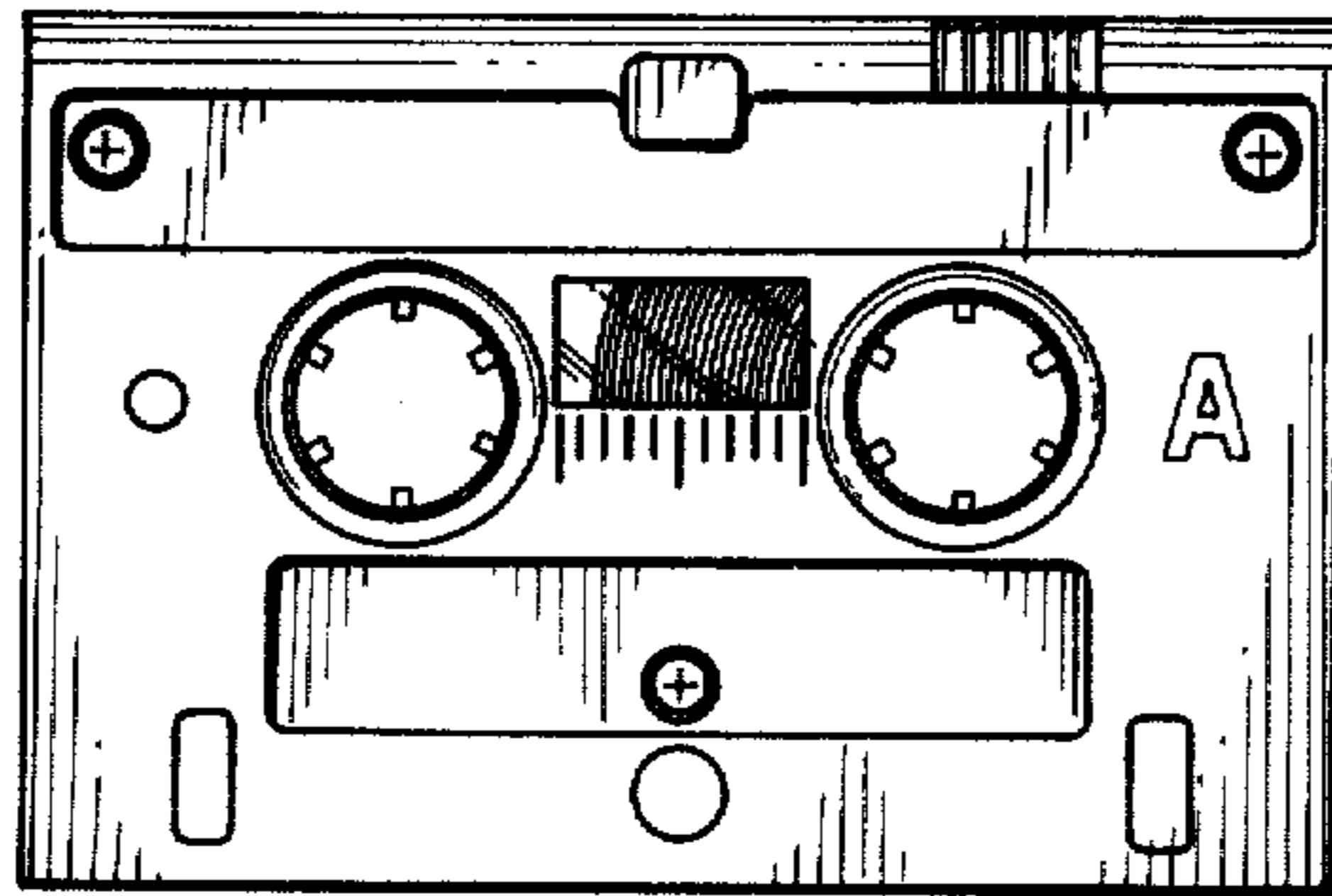


FIG.2



FIG.3

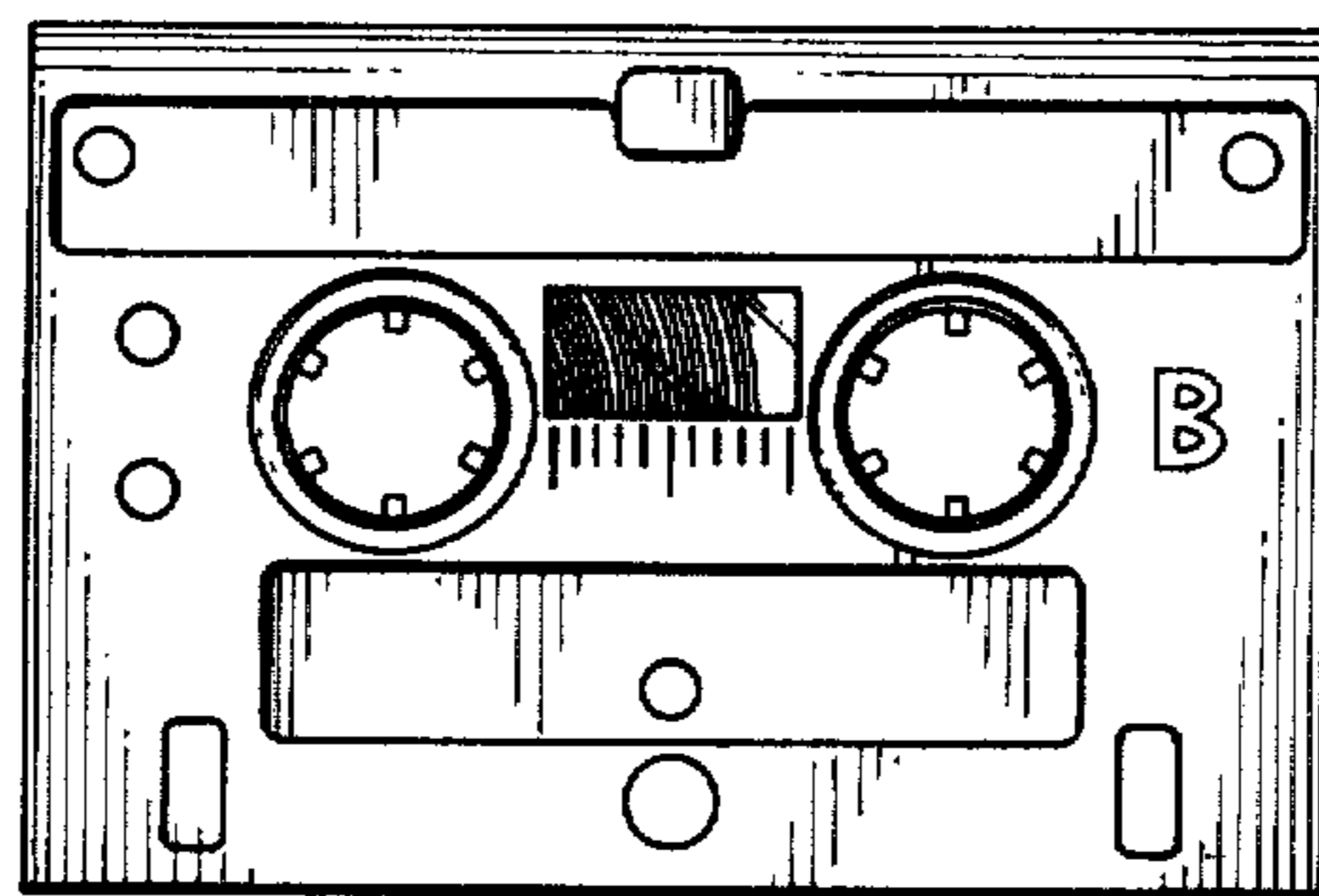


FIG.4



FIG.5

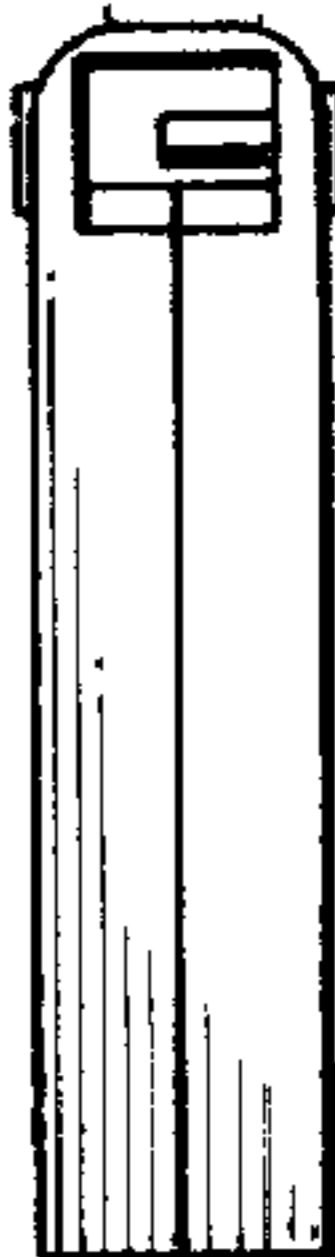


FIG.6

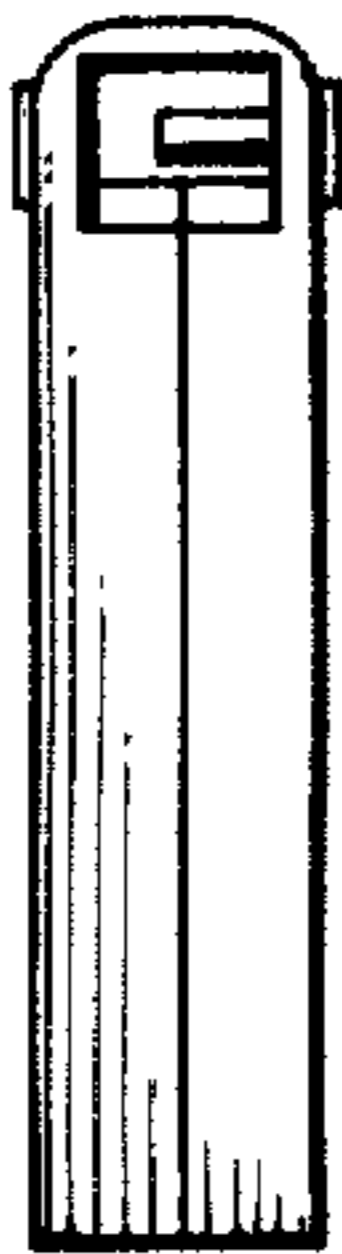
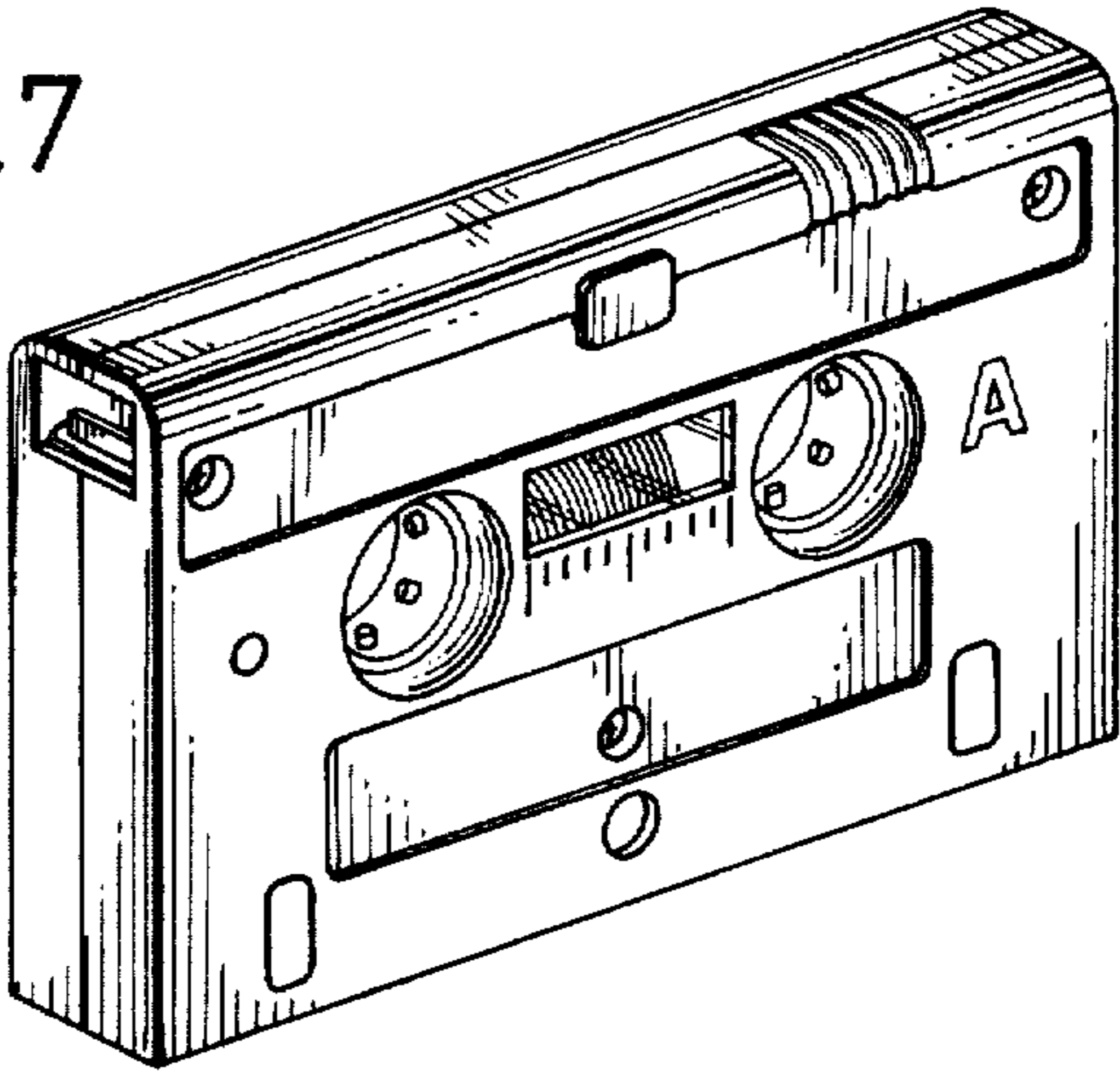


FIG.7



UNITED STATES PATENT AND TRADEMARK OFFICE
CERTIFICATE OF CORRECTION

PATENT NO. : Des. 263,701
DATED : April 6, 1982
INVENTOR(S) : Kaoru Morita

It is certified that error appears in the above—identified patent and that said Letters Patent is hereby corrected as shown below:

On the title page, item (30)

"Sho 54-04172" should read -- Sho 54-41742 ---.

Signed and Sealed this

Fourteenth Day of September 1982

[SEAL]

Attest:

GERALD J. MOSSINGHOFF

Attesting Officer

Commissioner of Patents and Trademarks