

[54] **POWER CORD PLUG**

[56] **References Cited**

[75] Inventors: **Gary W. Vest; John W. Marcuse,**
both of Cleveland, Ohio

- U.S. PATENT DOCUMENTS**
- D. 130,589 12/1941 Goodwin D13/28
 - D. 172,768 8/1954 Stevens, Jr. D13/28
 - 4,201,431 5/1980 McDonald 339/195 A X

[73] Assignee: **New Era Products, Inc.,** Cleveland, Ohio

Primary Examiner—A. Hugo Word
Attorney, Agent, or Firm—Pearne, Gordon, Sessions, McCoy & Granger

[**] Term: **14 Years**

[57] **CLAIM**

[21] Appl. No.: **69,273**

The ornamental design for a power cord plug, substantially as shown and described.

[22] Filed: **Aug. 24, 1979**

DESCRIPTION

[51] Int. Cl. **D13—03**

FIG. 1 is a perspective view of a power cord plug showing my new design.

[52] U.S. Cl. **D13/28**

FIG. 2 is a side elevation thereof.

[58] Field of Search D13/24, 27, 28;
339/195 R, 195 A, 195 M, 196 R, 14 P

FIG. 3 is an end elevation thereof.

FIG. 4 is a bottom plan view taken from below as viewed in FIG. 1.

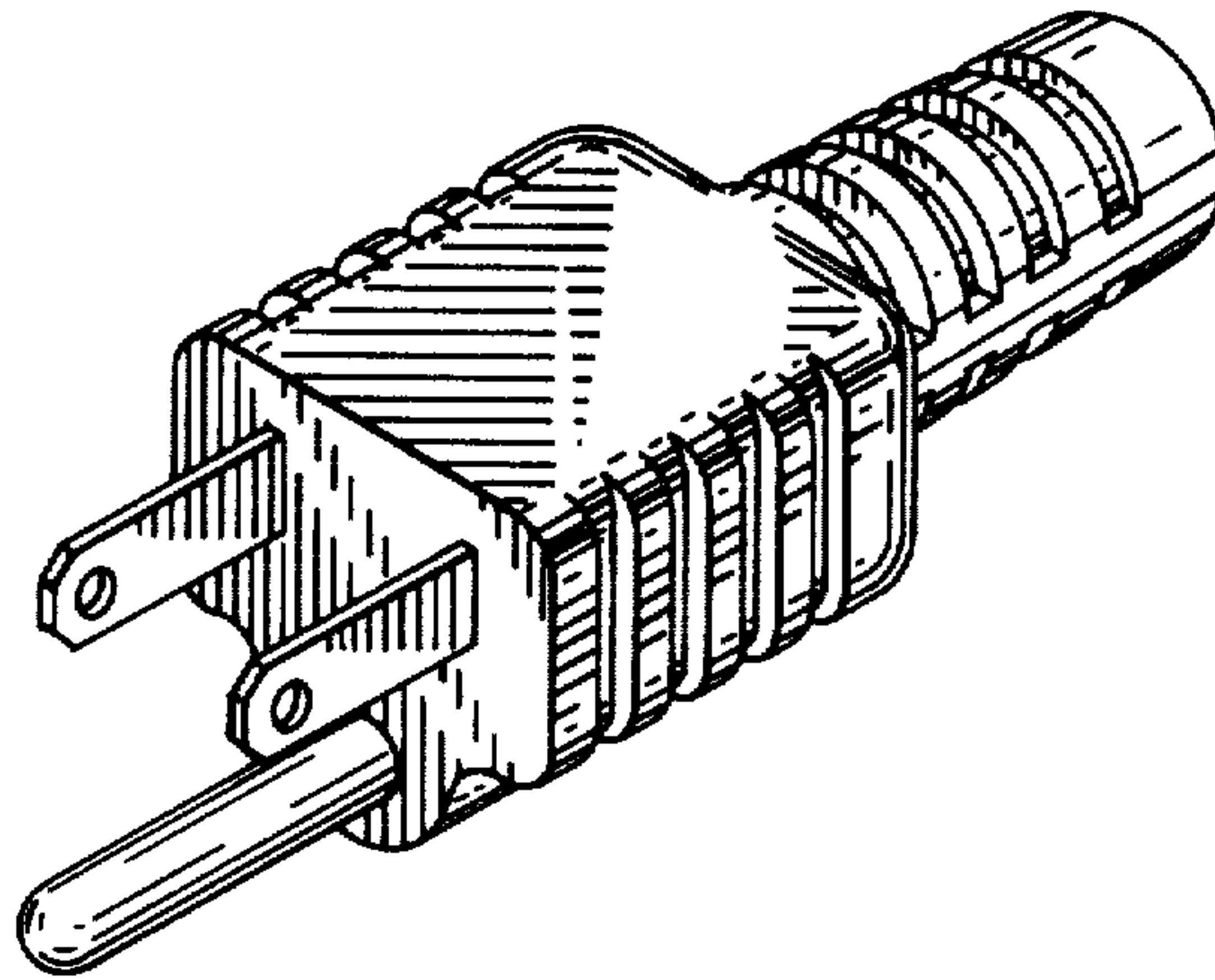


FIG. 1

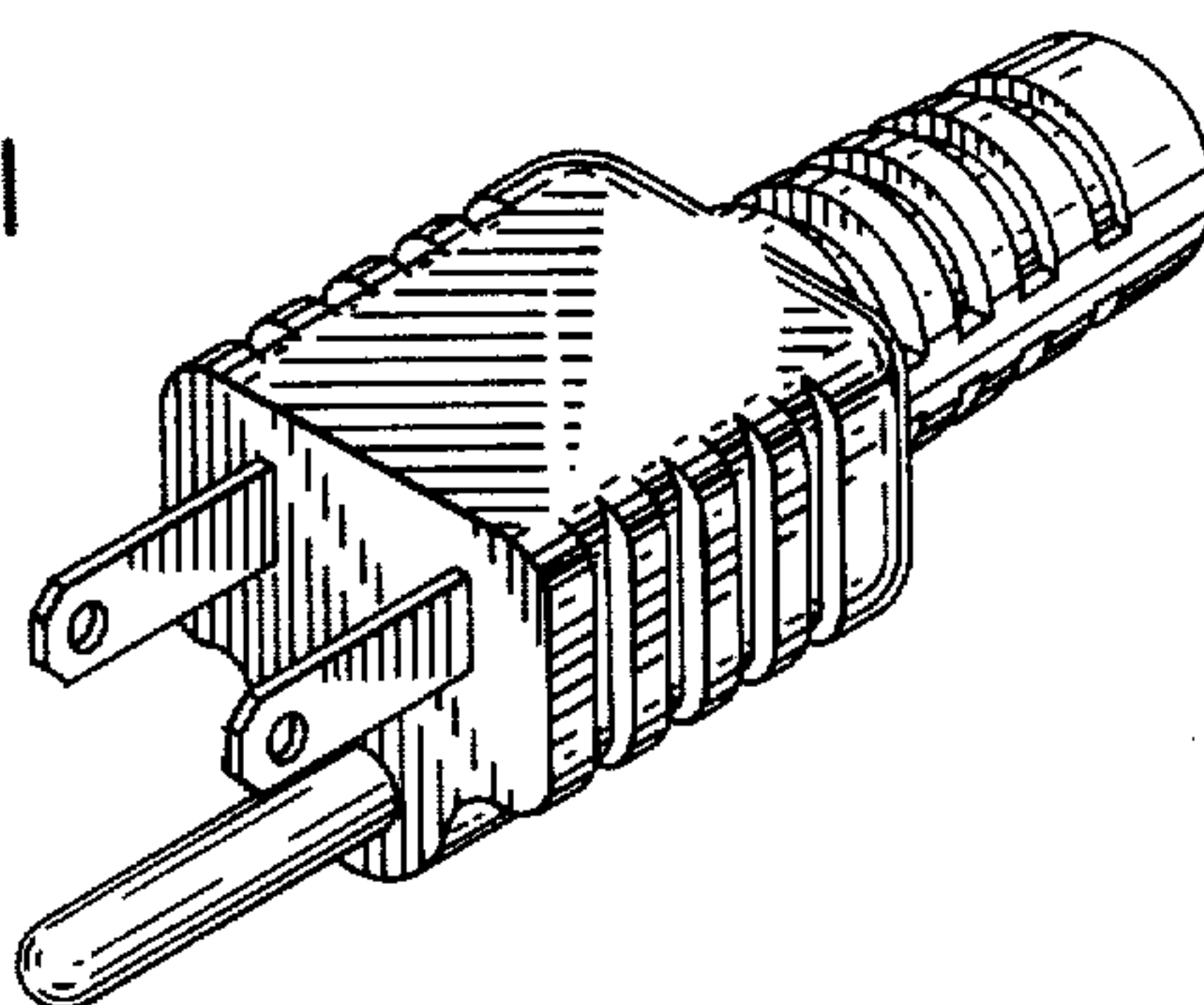


FIG. 2

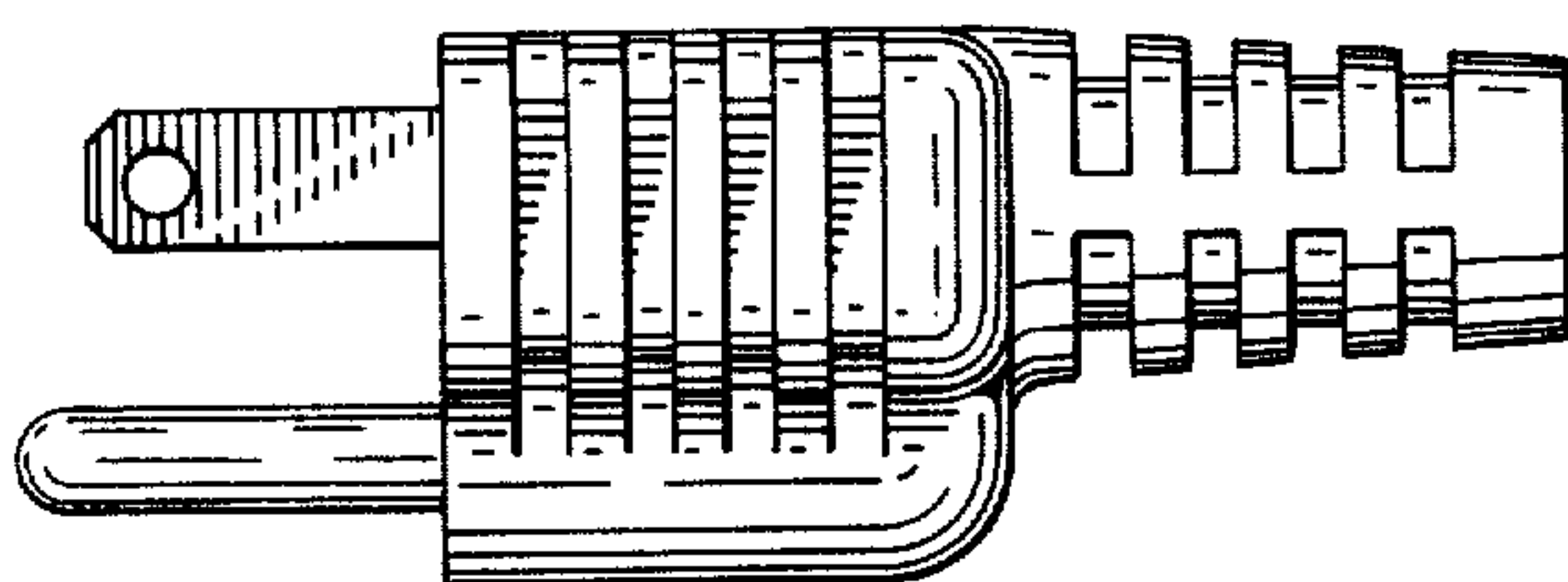


FIG. 3

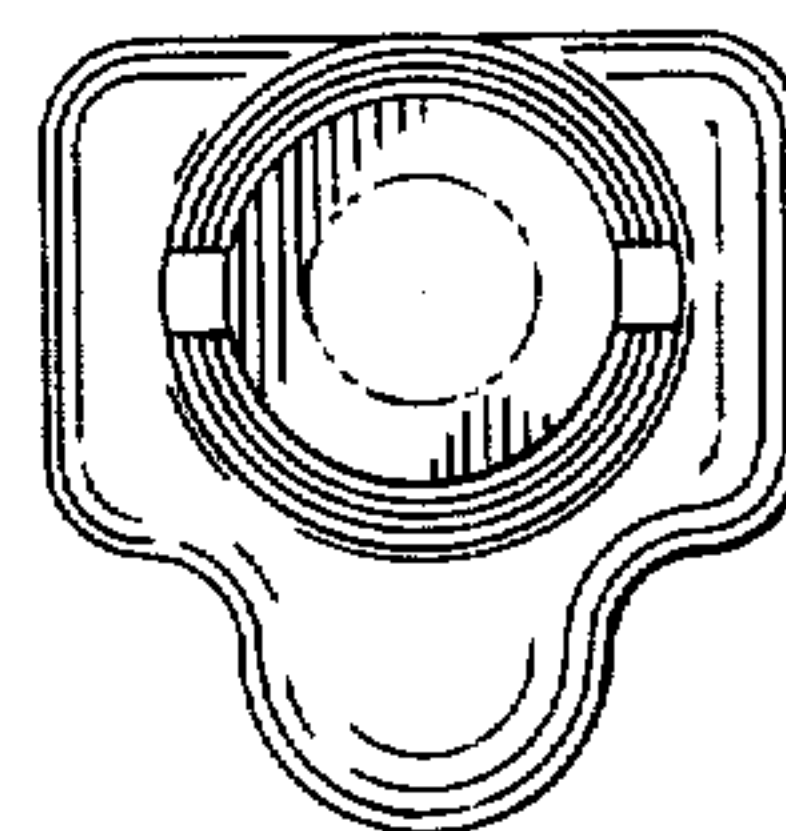


FIG. 4

