

[54] RUNNING BOARD

[76] Inventor: Thomas J. Mathews, 206 S. Locust, Canby, Oreg. 97013

[**] Term: 14 Years

[21] Appl. No.: 84,818

[22] Filed: Oct. 15, 1979

[51] Int. Cl. D12-16

[52] U.S. Cl. D12/203

[58] Field of Search D12/203; 280/163, 169, 280/153 R

[56] References Cited

U.S. PATENT DOCUMENTS

- D. 257,250 10/1980 Stoltenberg et al. D12/203
- D. 258,128 2/1981 Baker D12/203

OTHER PUBLICATIONS

Van, Pickup & Off-Road, 11/78, p. 16, Running Board, top of page.

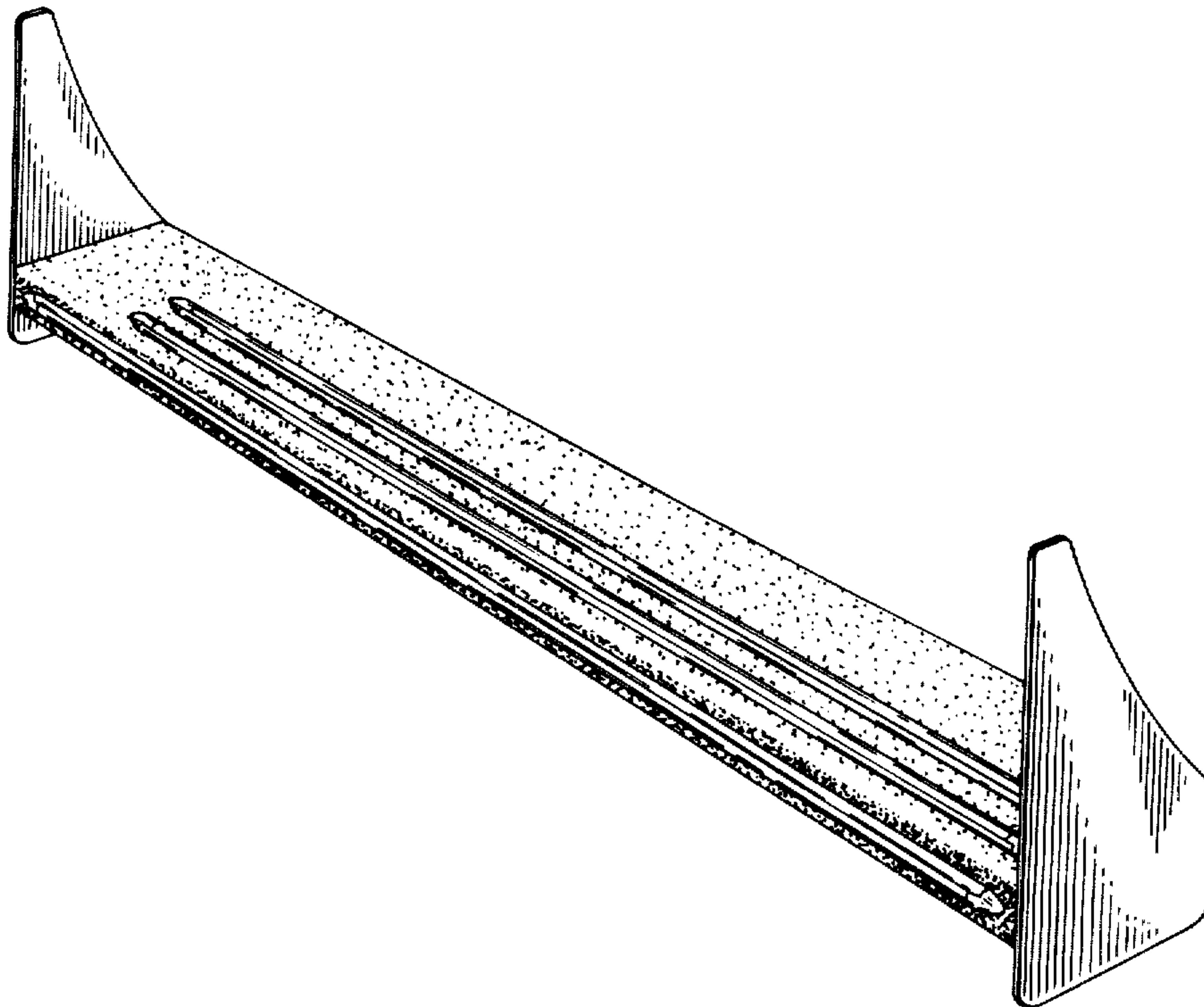
Primary Examiner—James M. Gandy
Attorney, Agent, or Firm—Klarquist, Sparkman, Campbell, Leigh, Whinston & Dellett

[57] CLAIM

The ornamental design for a running board, as shown and described.

DESCRIPTION

FIG. 1 is a perspective view of a running board of my design;
 FIG. 2 is an end elevational view thereof;
 FIG. 3 is an end elevational view thereof opposite to that shown in FIG. 2;
 FIG. 4 is a front elevational view thereof;
 FIG. 5 is a top plan view thereof;
 FIG. 6 is a bottom plan view thereof; and
 FIG. 7 is a rear elevational view thereof.



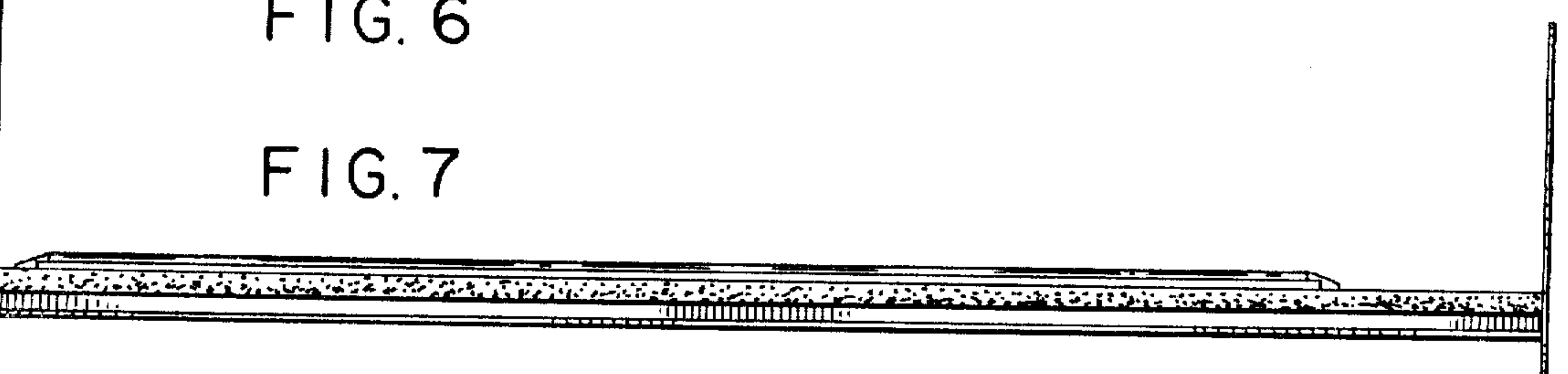
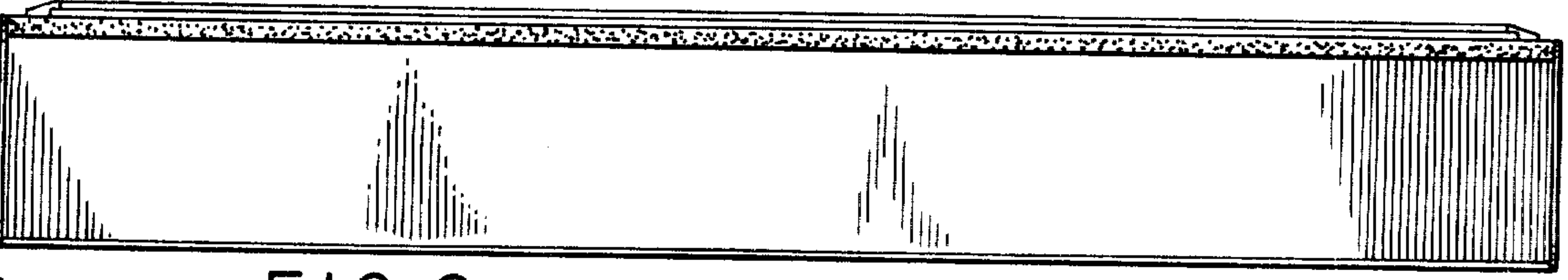
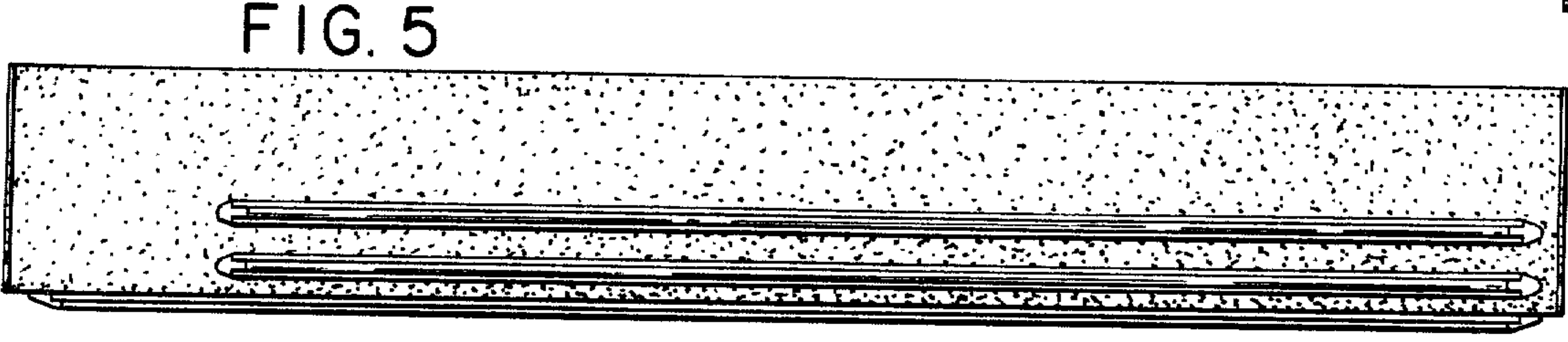
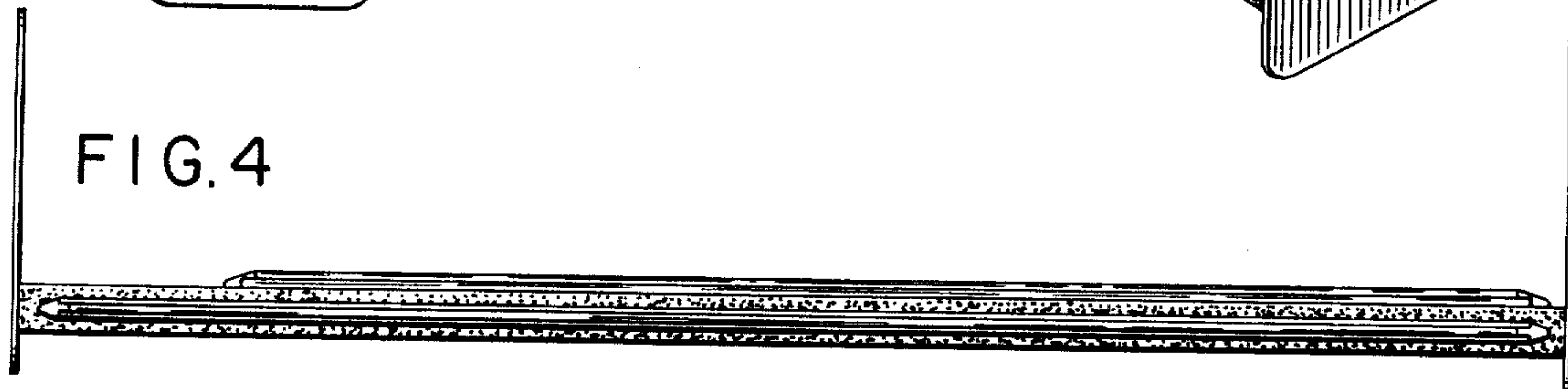
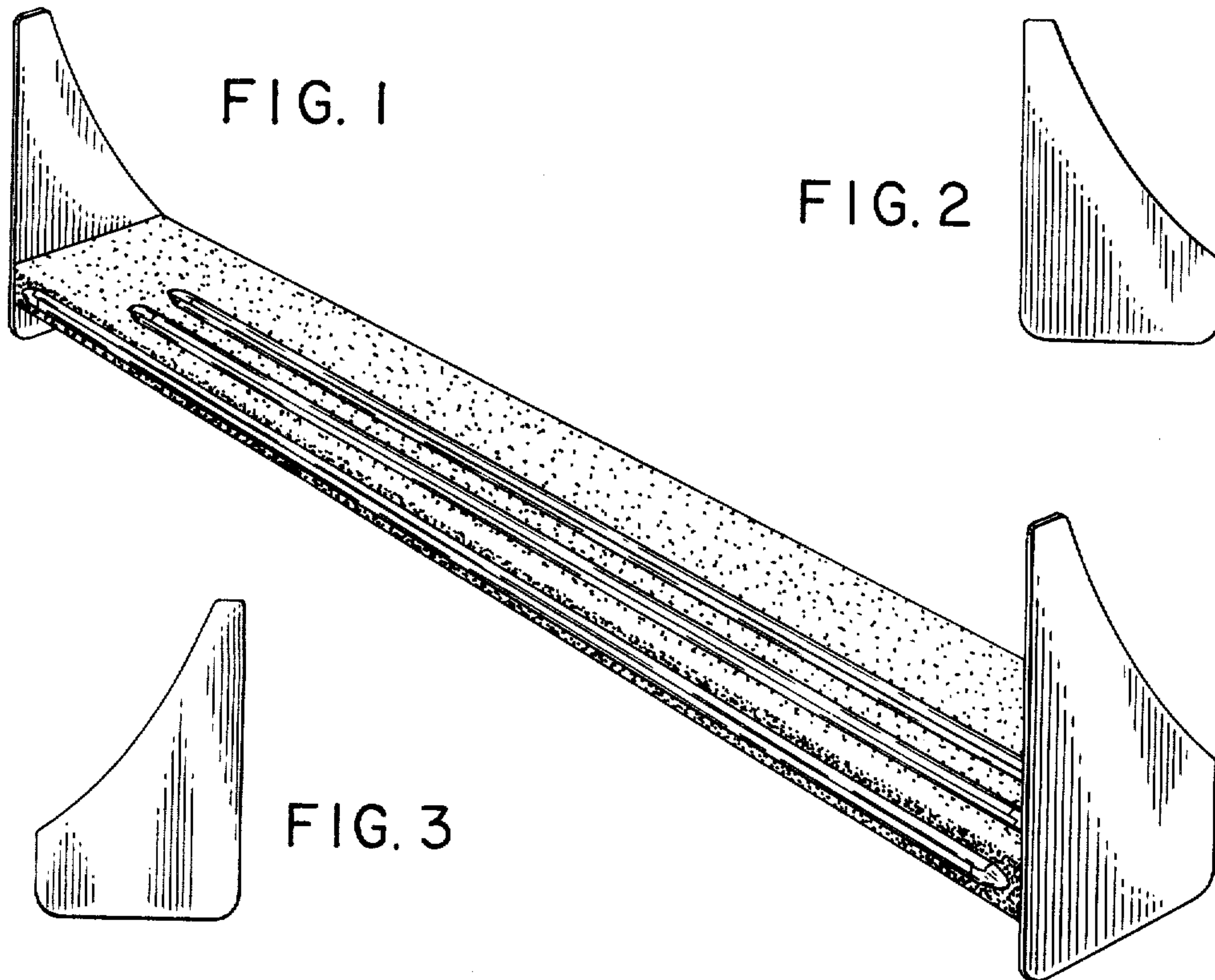


FIG. 6

FIG. 7