

[54] **BELT LOADER**

[75] **Inventor:** Walter W. Conrad, Torrance, Calif.

[73] **Assignee:** W W Industries, Inc., Hawthorne, Calif.

[**] **Term:** 14 Years

[21] **Appl. No.:** 102,143

[22] **Filed:** Dec. 10, 1979

[51] **Int. Cl.** D12-05

[52] **U.S. Cl.** D34/29; 198/304; 198/318; D34/34

[58] **Field of Search** D12/57, 58, 60; 198/304, 318

[56] **References Cited**

U.S. PATENT DOCUMENTS

D. 205,030	6/1966	Grove	D12/60
3,184,045	5/1965	Fry	198/318
4,074,801	2/1978	Monk et al.	198/318

Primary Examiner—Veronica O'Keefe
Attorney, Agent, or Firm—Singer & Singer

[57] **CLAIM**

The ornamental design for a belt loader, substantially as shown and described.

DESCRIPTION

FIG. 1 is a perspective view illustrating the design of my belt loader;

FIG. 2 is a front elevation view thereof;

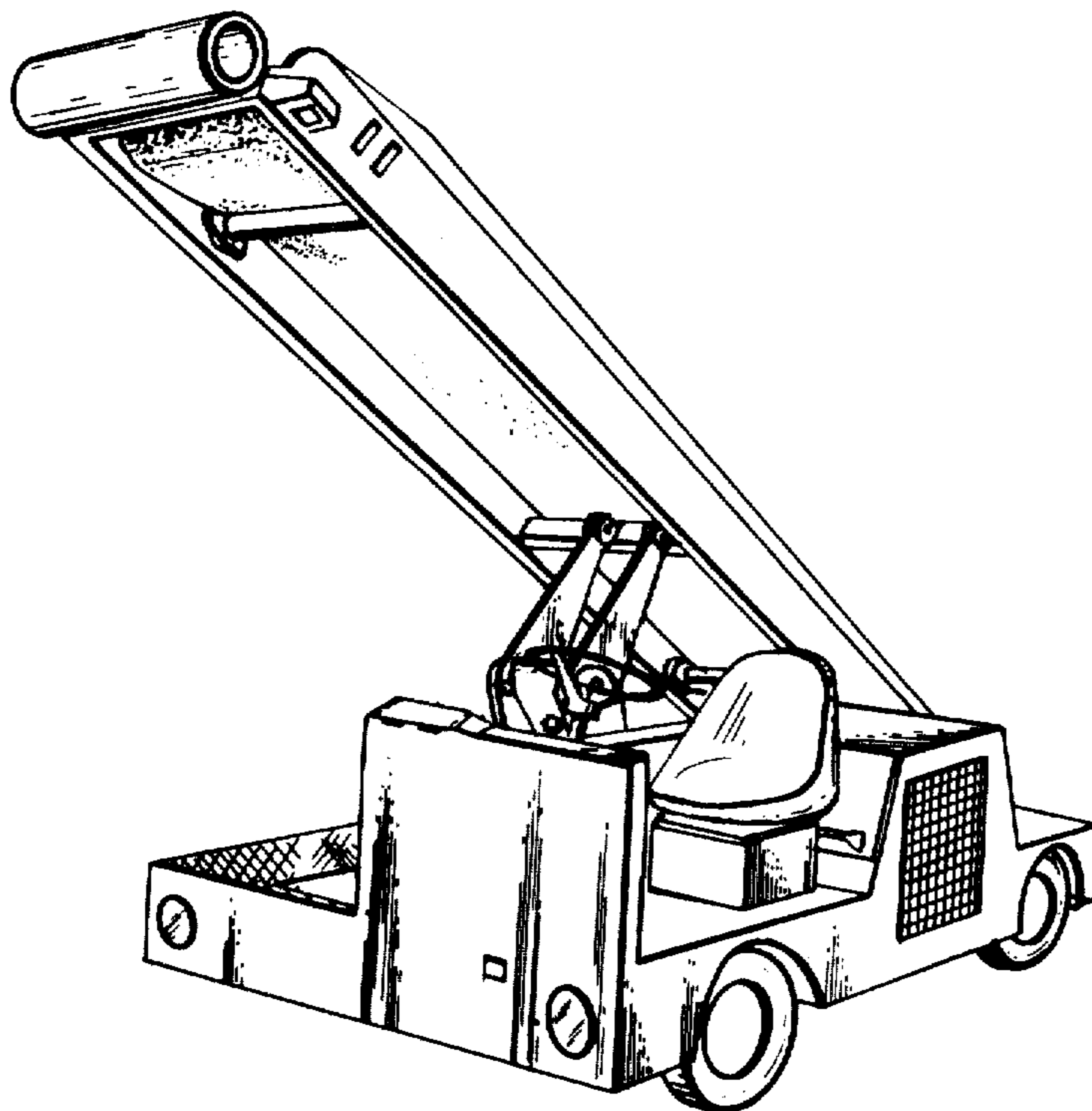
FIG. 3 is a rear elevation view thereof;

FIG. 4 is a left side elevation view thereof;

FIG. 5 is a right side elevation view thereof;

FIG. 6 is a top plan view thereof; and

FIG. 7 is a bottom plan view thereof.



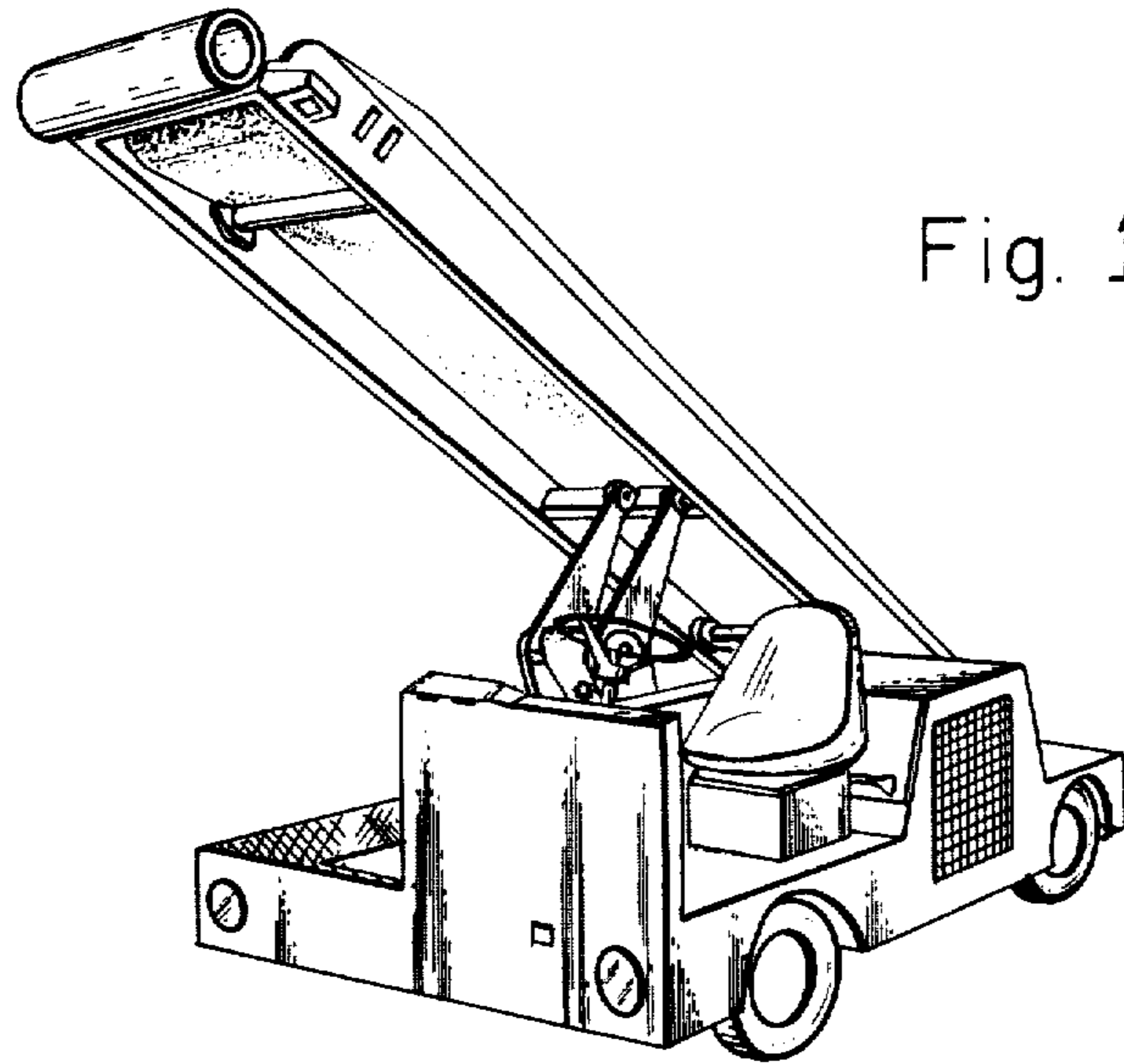


Fig. 1.

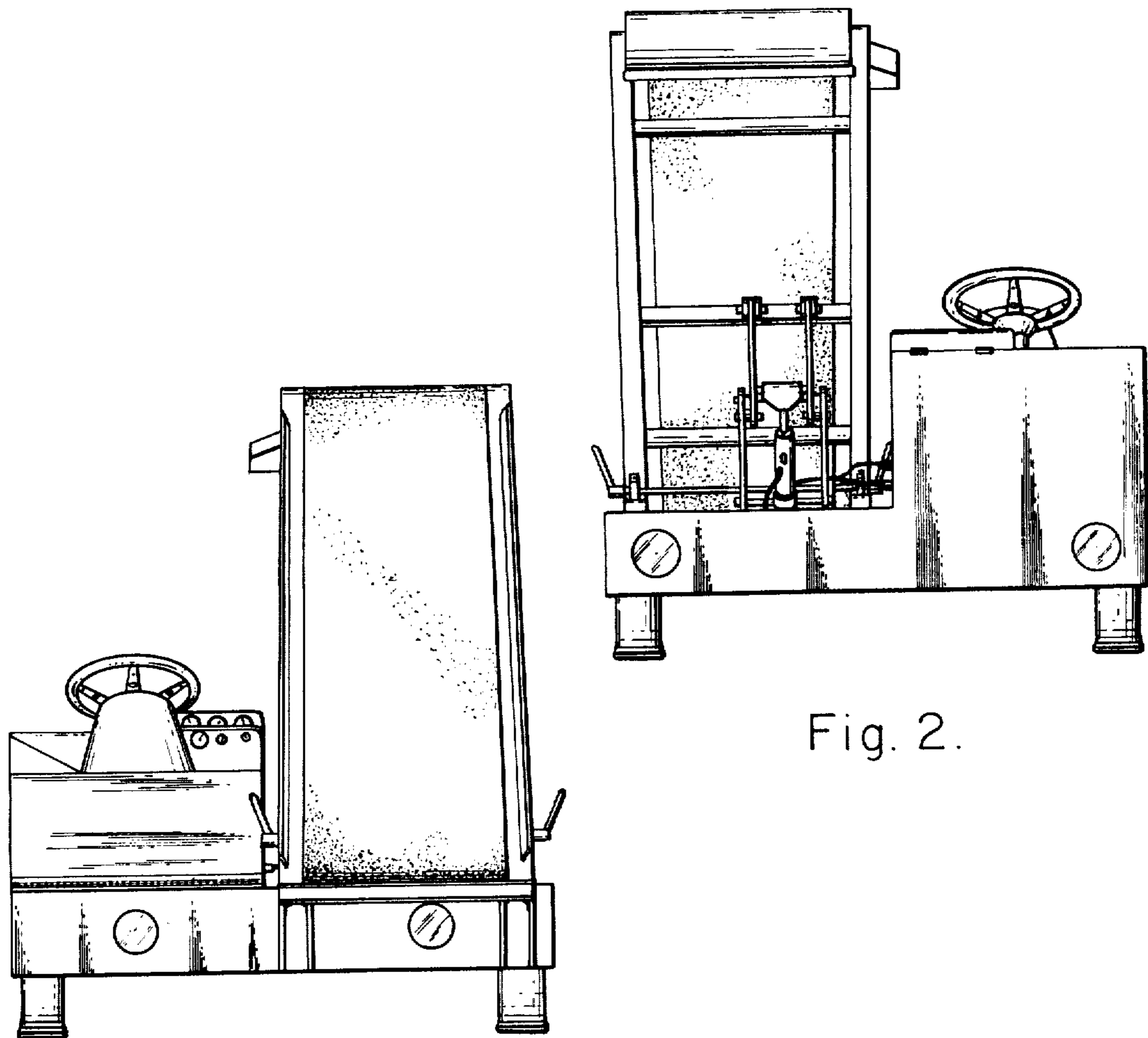


Fig. 2.

Fig. 3.

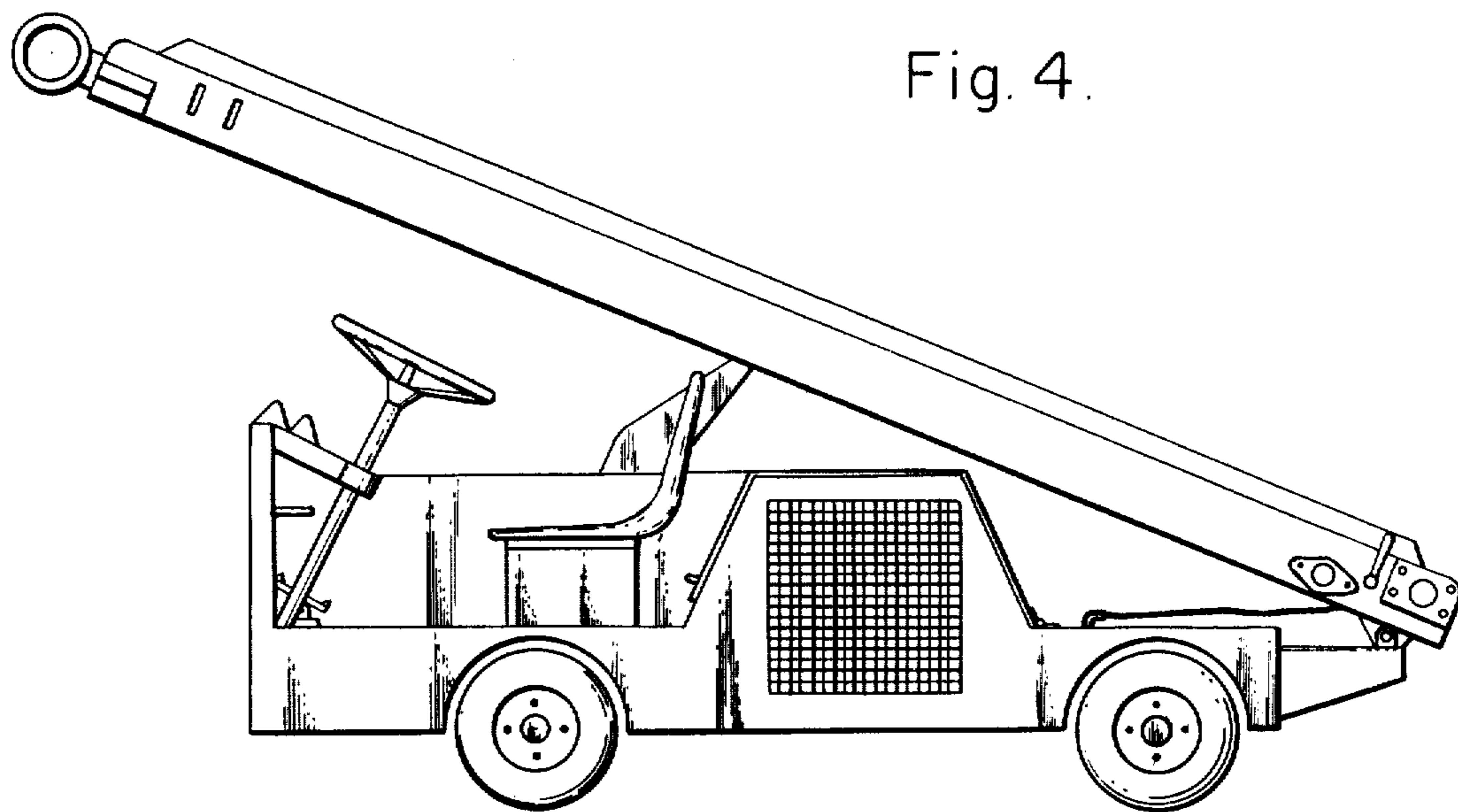


Fig. 4.

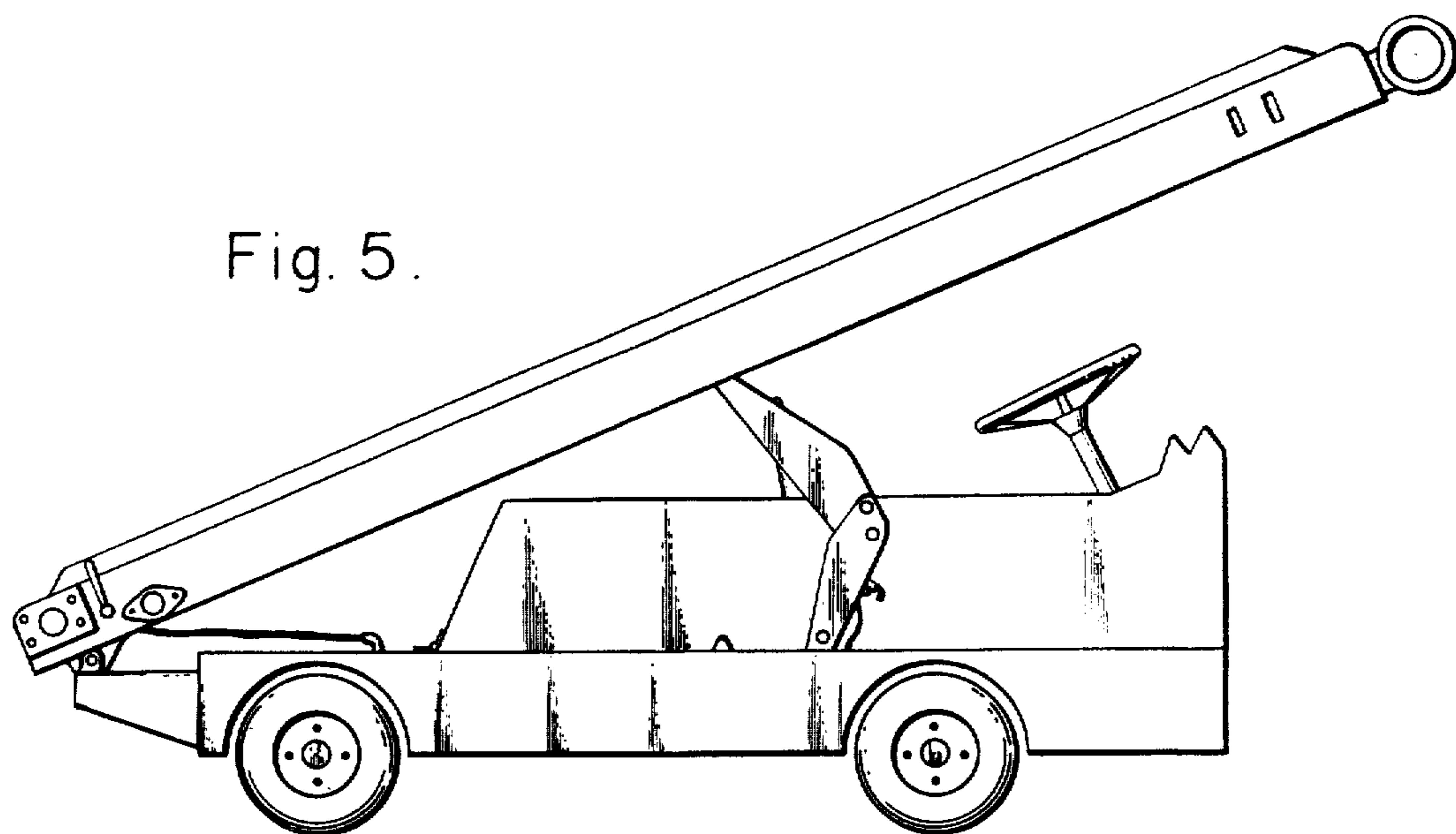


Fig. 5.

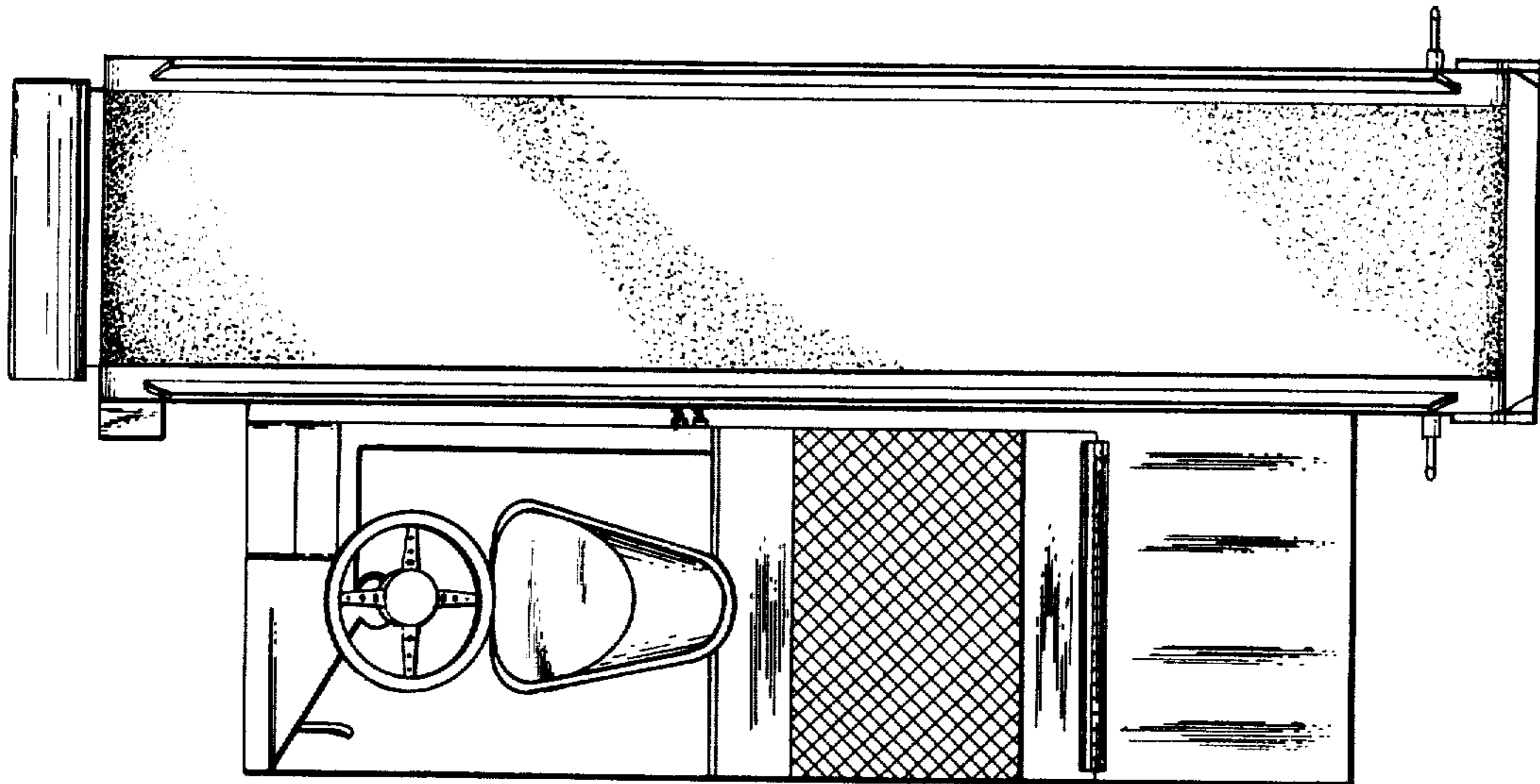


Fig. 6.

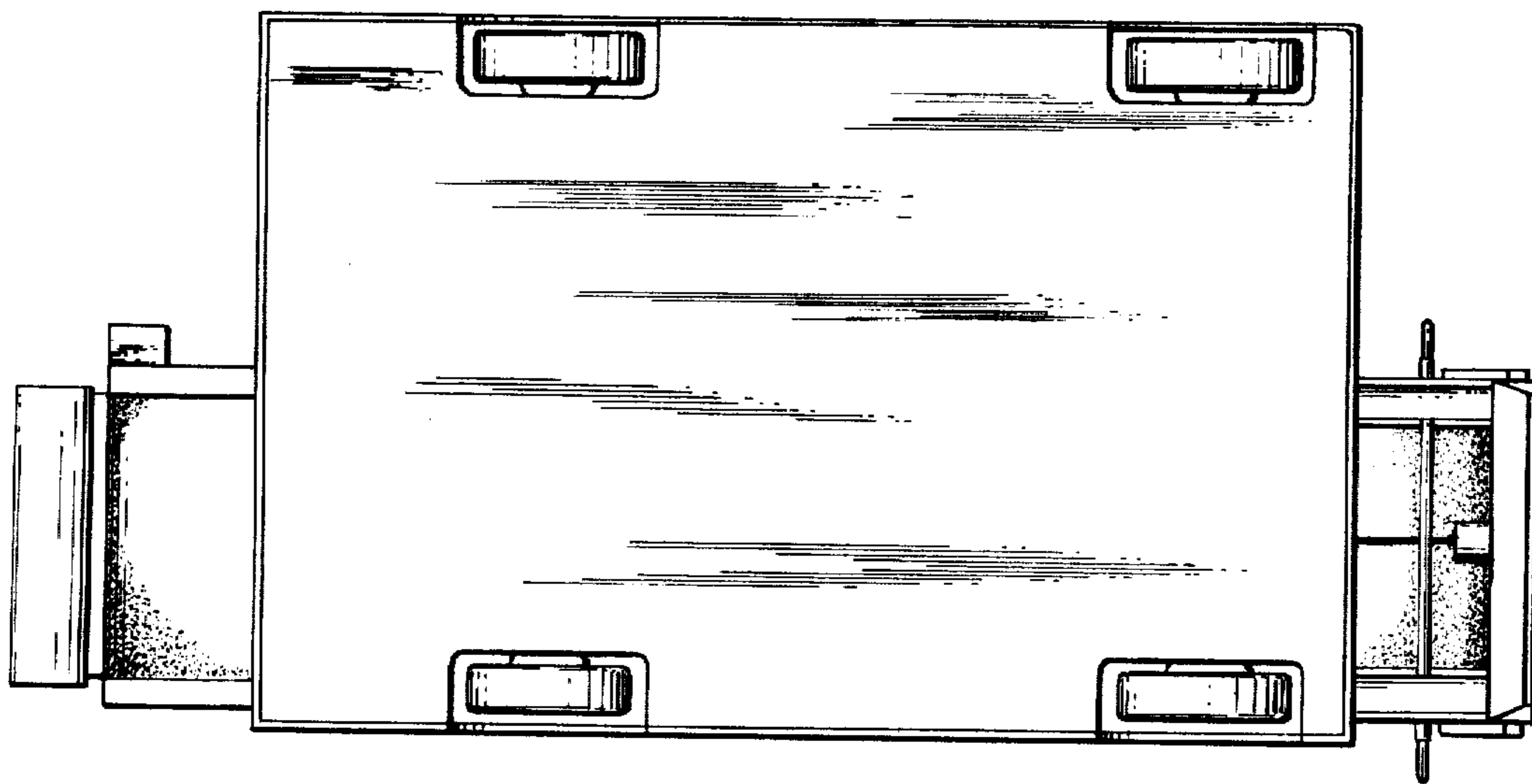


Fig. 7.