

[54] **CART**

[76] **Inventor:** **W. Lynn Streiff, 3230 Inspiration Dr., Colorado Springs, Colo. 80917**

[\*\*] **Term:** **14 Years**

[21] **Appl. No.:** **22,713**

[22] **Filed:** **Mar. 22, 1979**

[51] **Int. Cl.** ..... **D12-02**  
[52] **U.S. Cl.** ..... **D34/26; D34/24**  
[58] **Field of Search** ..... **D12/32, 34;**  
**280/47.13 R, 47.17, 47.19, 47.26, 47.27, 47.34;**  
**248/98, 129; 211/71**

[56]

**References Cited**

**U.S. PATENT DOCUMENTS**

3,276,600 10/1966 Black et al. .... 248/129  
3,377,085 4/1968 Fralick ..... 280/47.13 R

*Primary Examiner*—James M. Gandy  
*Attorney, Agent, or Firm*—Fields, Lewis, Pittenger and Rost

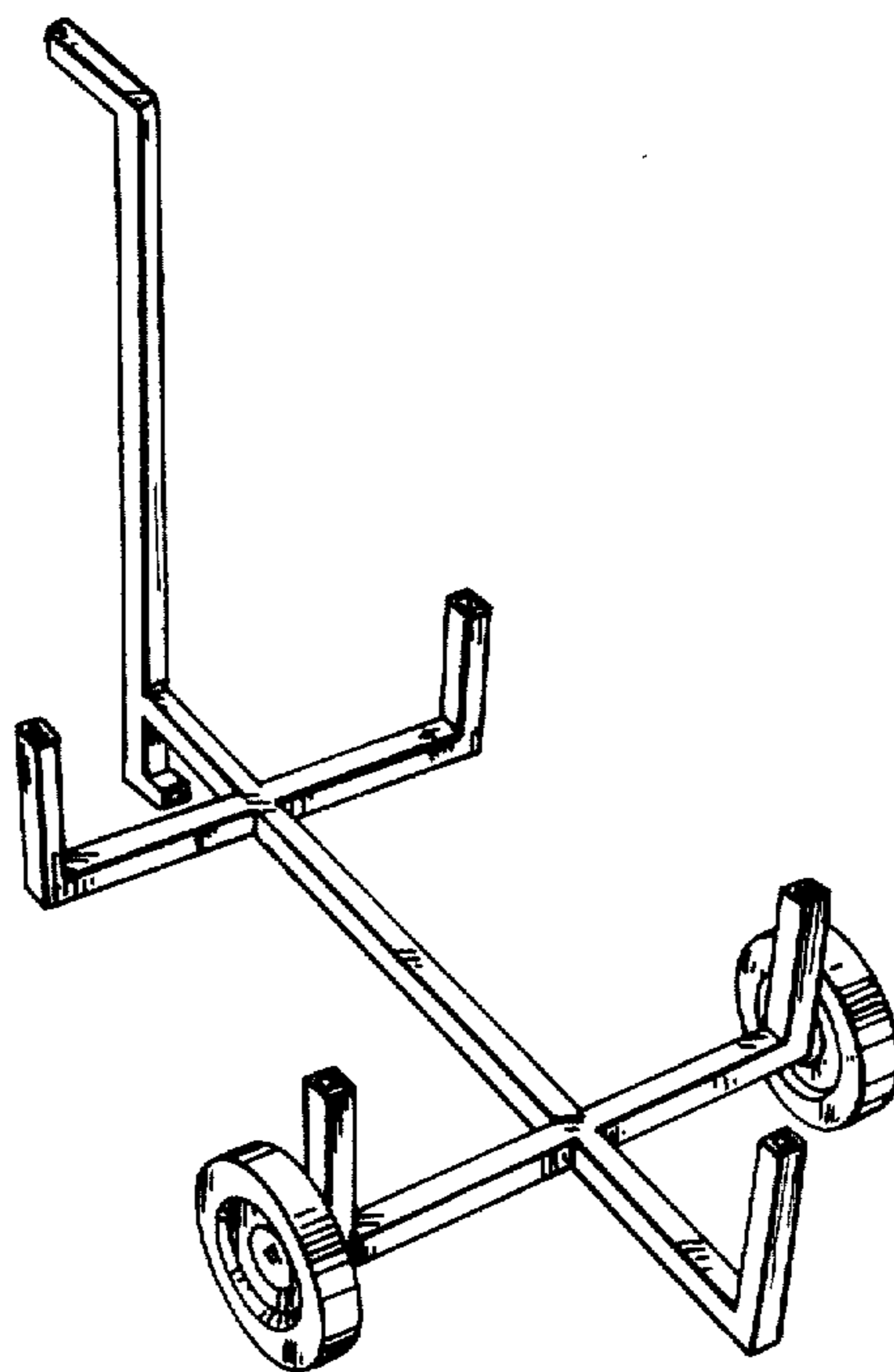
[57]

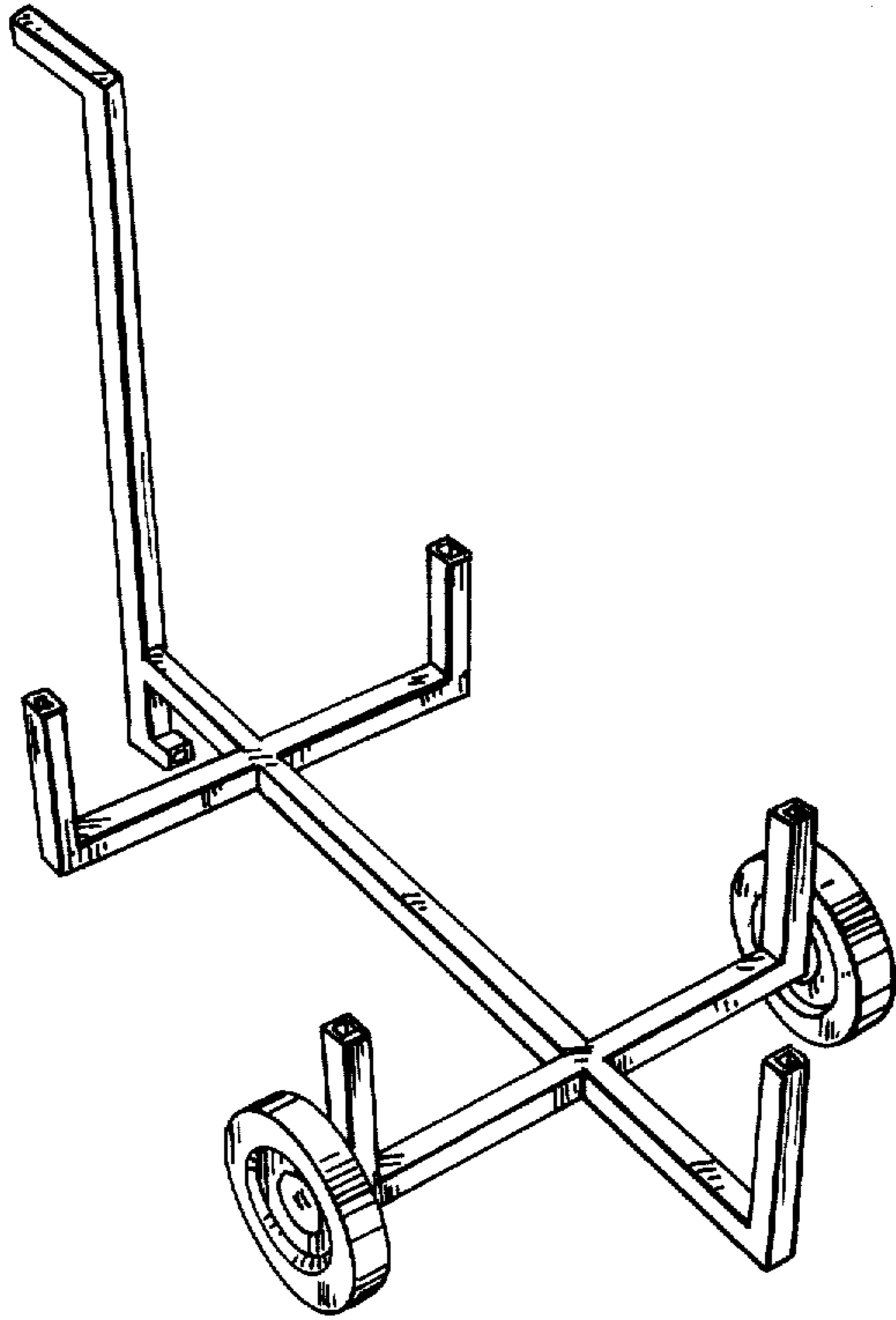
**CLAIM**

The ornamental design for a cart, as shown and described.

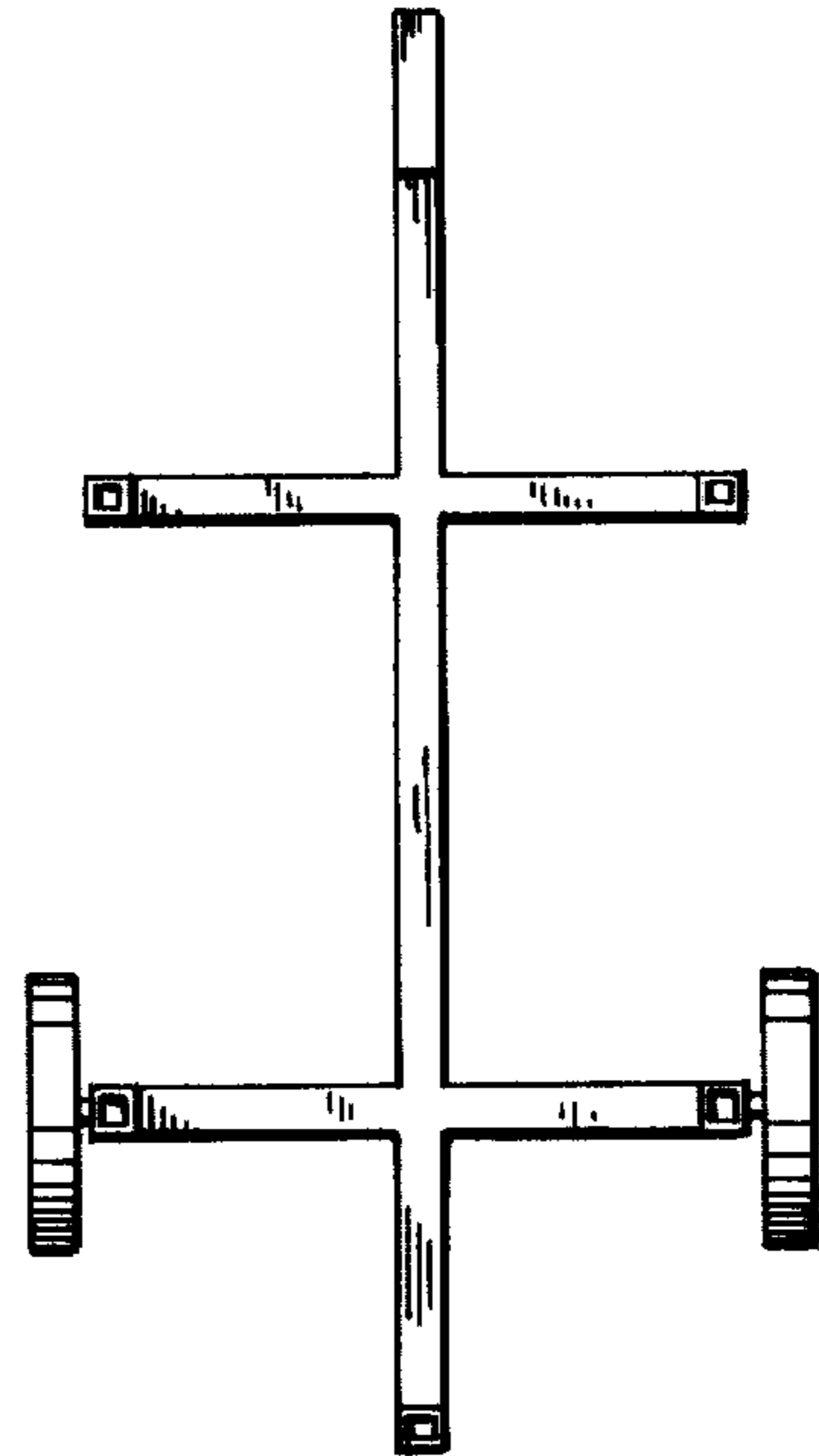
**DESCRIPTION**

FIG. 1 is a perspective view of the cart showing my new design;  
FIG. 2 is a side elevational view thereof;  
FIG. 3 is a front elevational view thereof; and  
FIG. 4 is a top plan view thereof;  
The broken lines in FIG. 2 of the drawing are for illustrative purposes only.

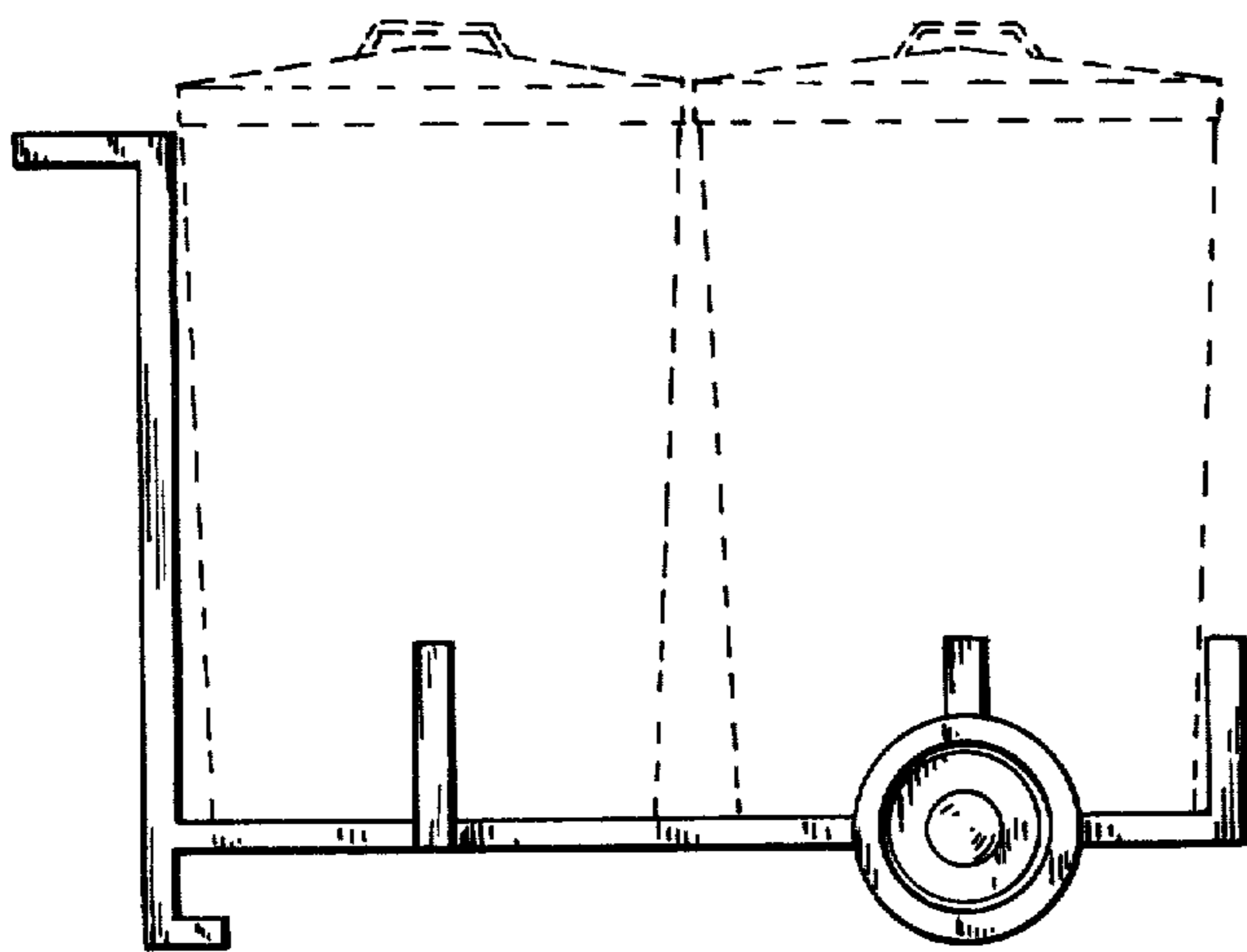




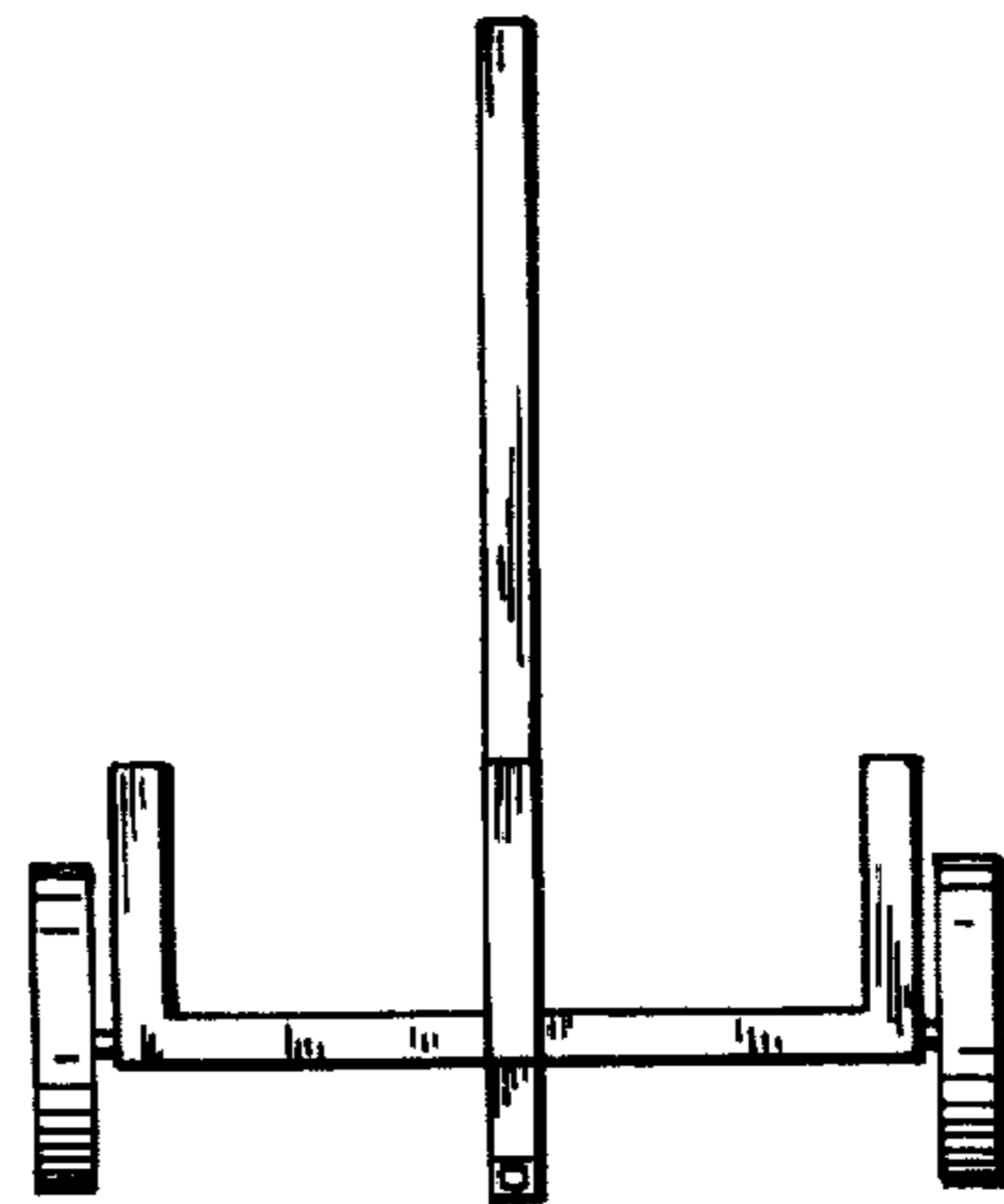
*Fig\_1*



*Fig\_4*



*Fig\_2*



*Fig\_3*