

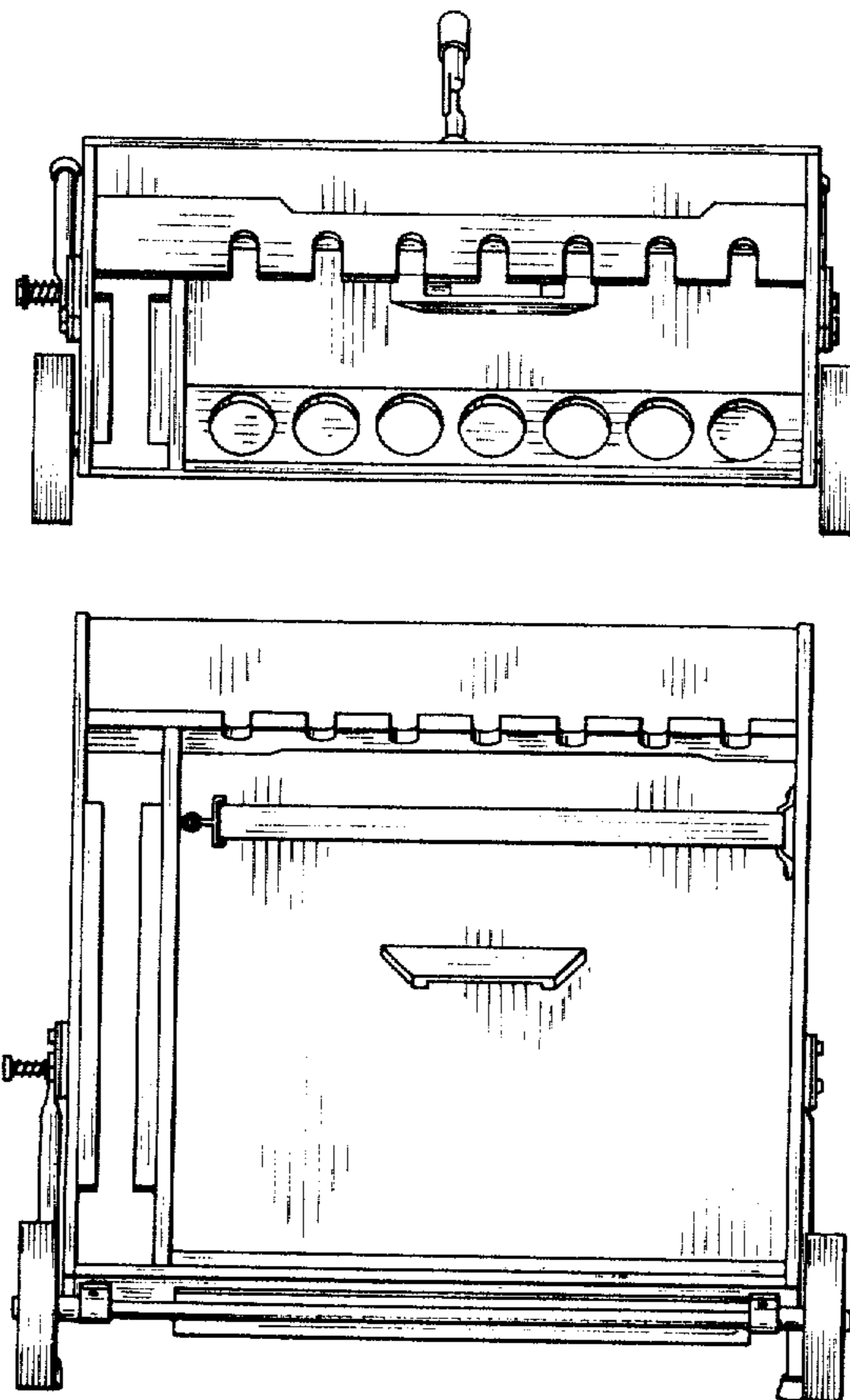
[54] **BASEBALL EQUIPMENT CART**  
[75] Inventor: **Bernard C. Laub, Tulsa, Okla.**  
[73] Assignee: **Hugh J. Finnerty, Tulsa, Okla.**  
[\*\*] Term: **14 Years**  
[21] Appl. No.: **13,882**  
[22] Filed: **Feb. 22, 1979**

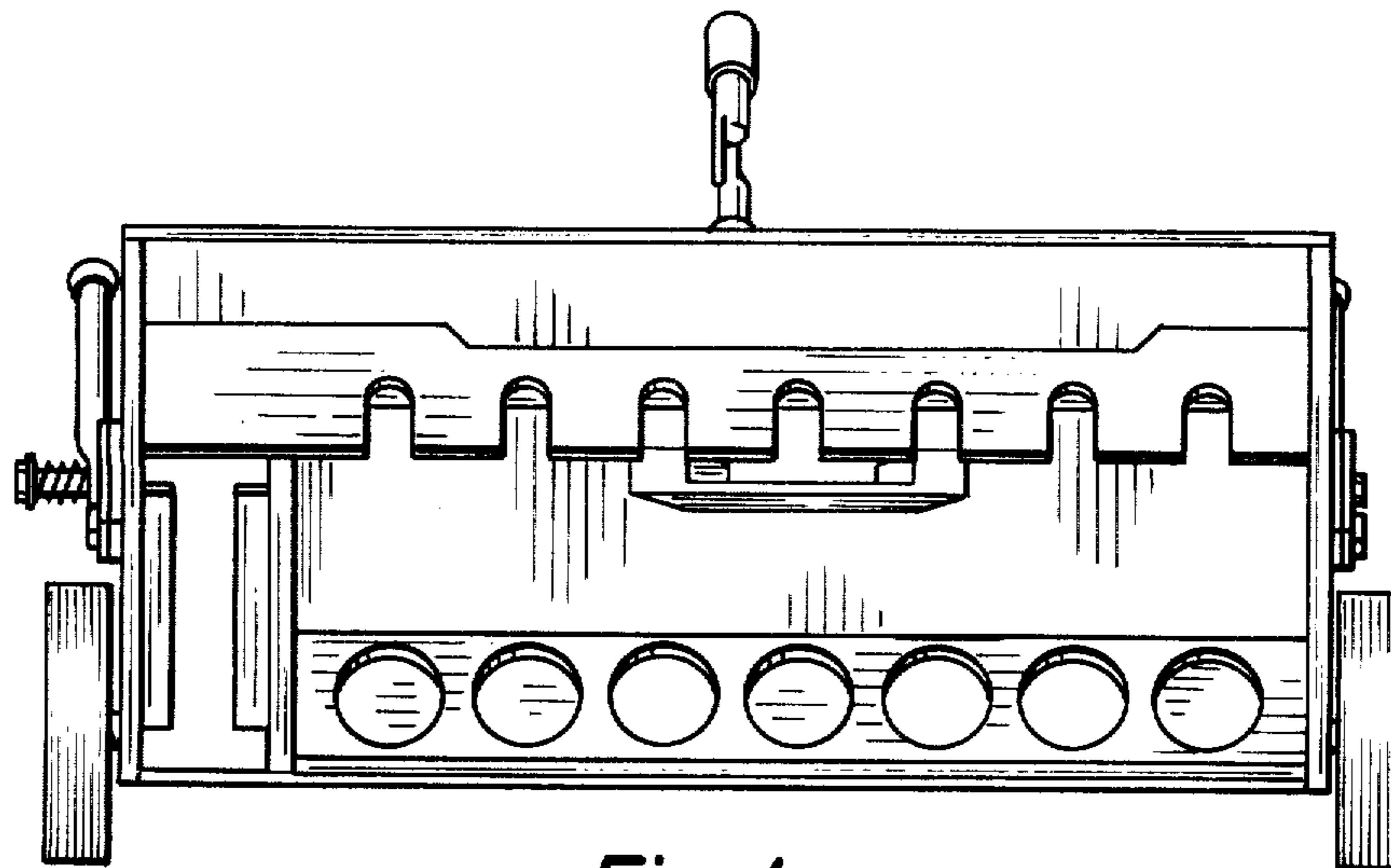
[51] Int. Cl. .... **D12-02**  
[52] U.S. Cl. .... **D34/24**  
[58] Field of Search ..... **D12/32, 34;**  
**280/47.13 R, 47.17, 47.19, 47.26, 47.34, 79.2,**  
**79.3**

[56] **References Cited**  
**U.S. PATENT DOCUMENTS**  
D. 184,838 4/1959 Tucker ..... D12/32  
D. 253,099 10/1979 Boissolie et al. .... D12/34  
*Primary Examiner*—James M. Gandy  
*Attorney, Agent, or Firm*—William S. Dorman

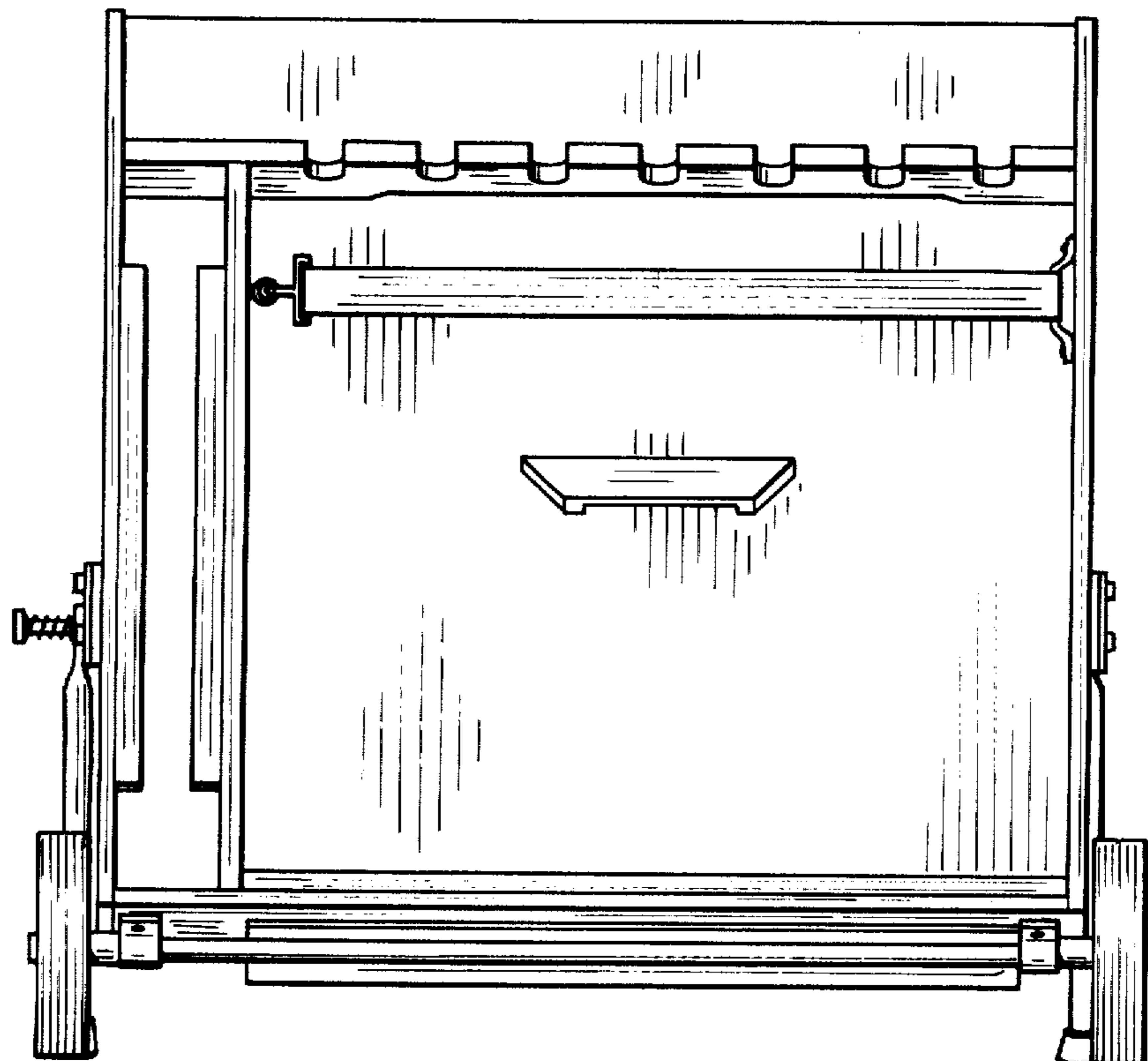
[57] **CLAIM**  
The ornamental design for a baseball equipment cart, substantially as shown and described.

**DESCRIPTION**  
FIG. 1 is a top plan view of a baseball equipment cart showing my new design;  
FIG. 2 is a front elevation view thereof;  
FIG. 3 is a rear elevation view thereof;  
FIG. 4 is a bottom plan view thereof;  
FIG. 5 is a right side elevation view thereof; and  
FIG. 6 is a left side elevation view thereof.

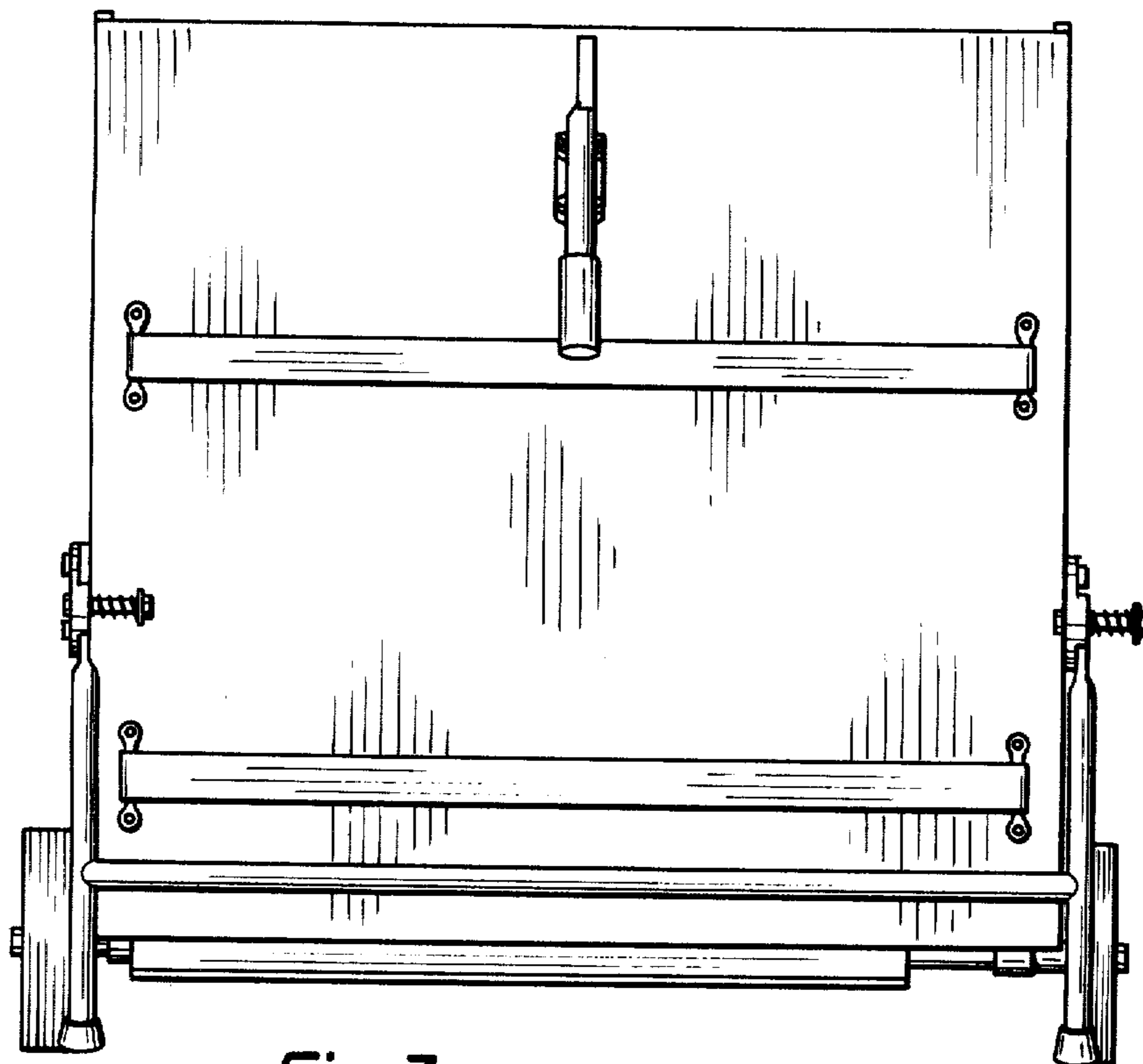




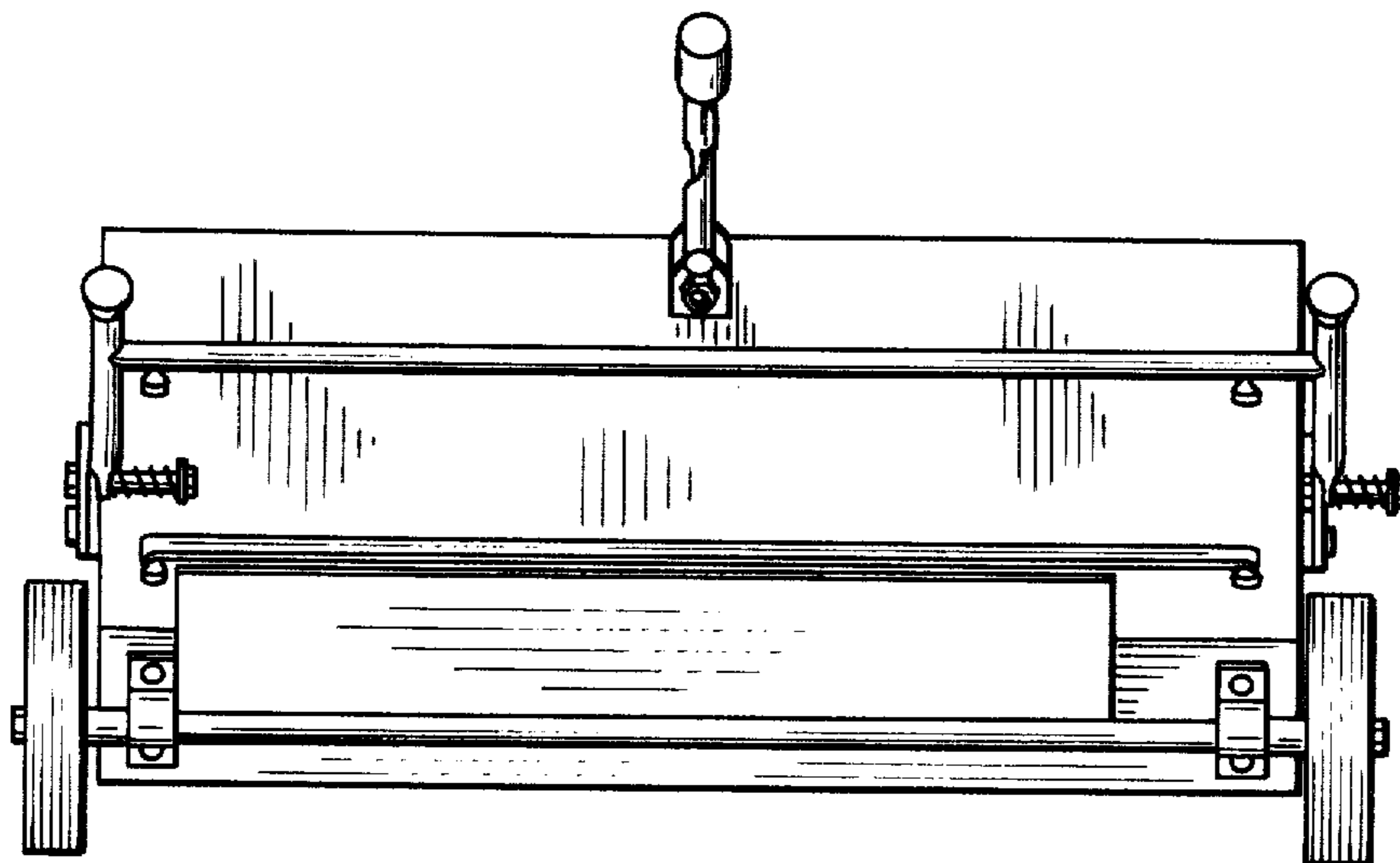
*Fig. 1*



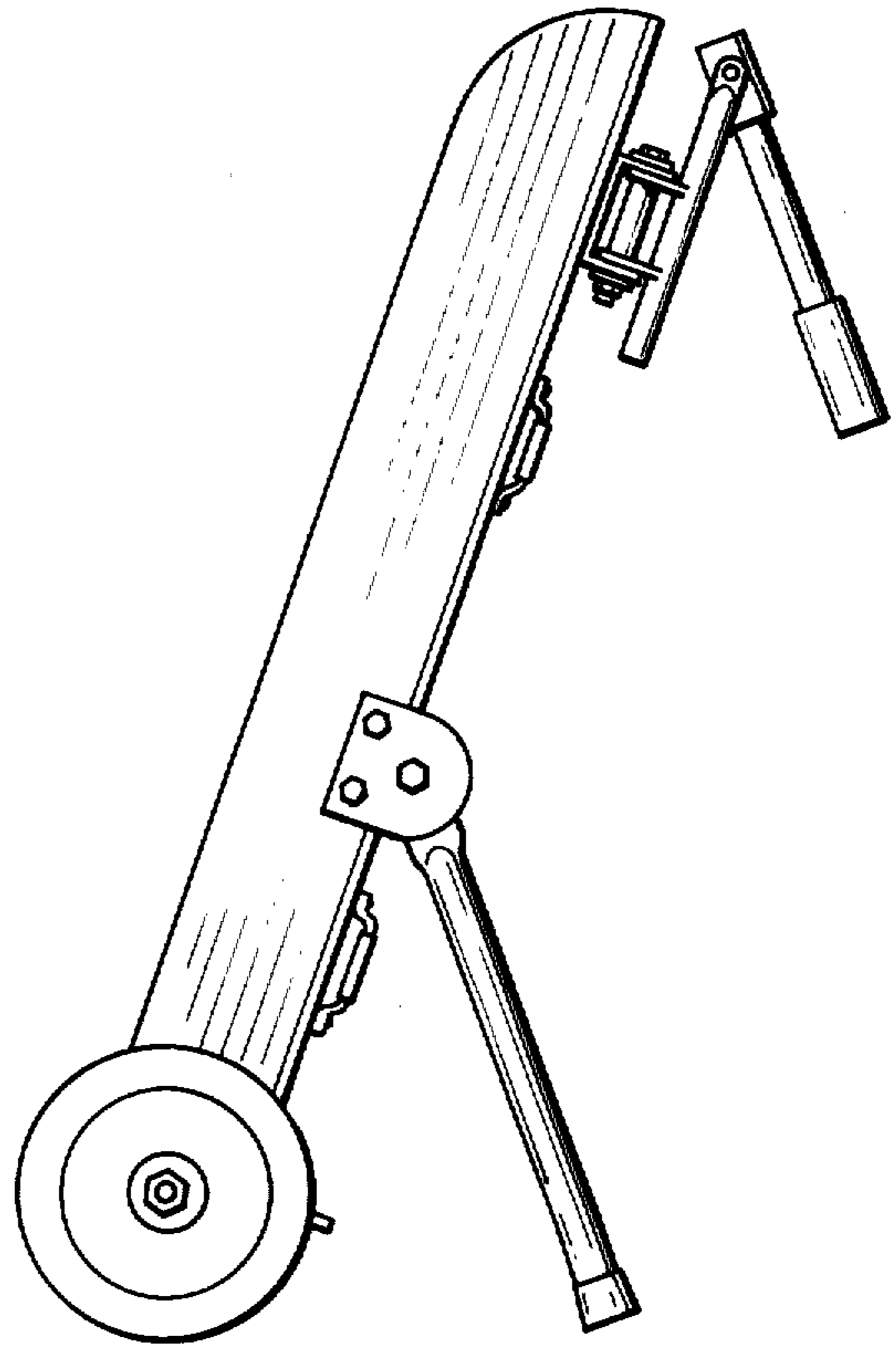
*Fig. 2*



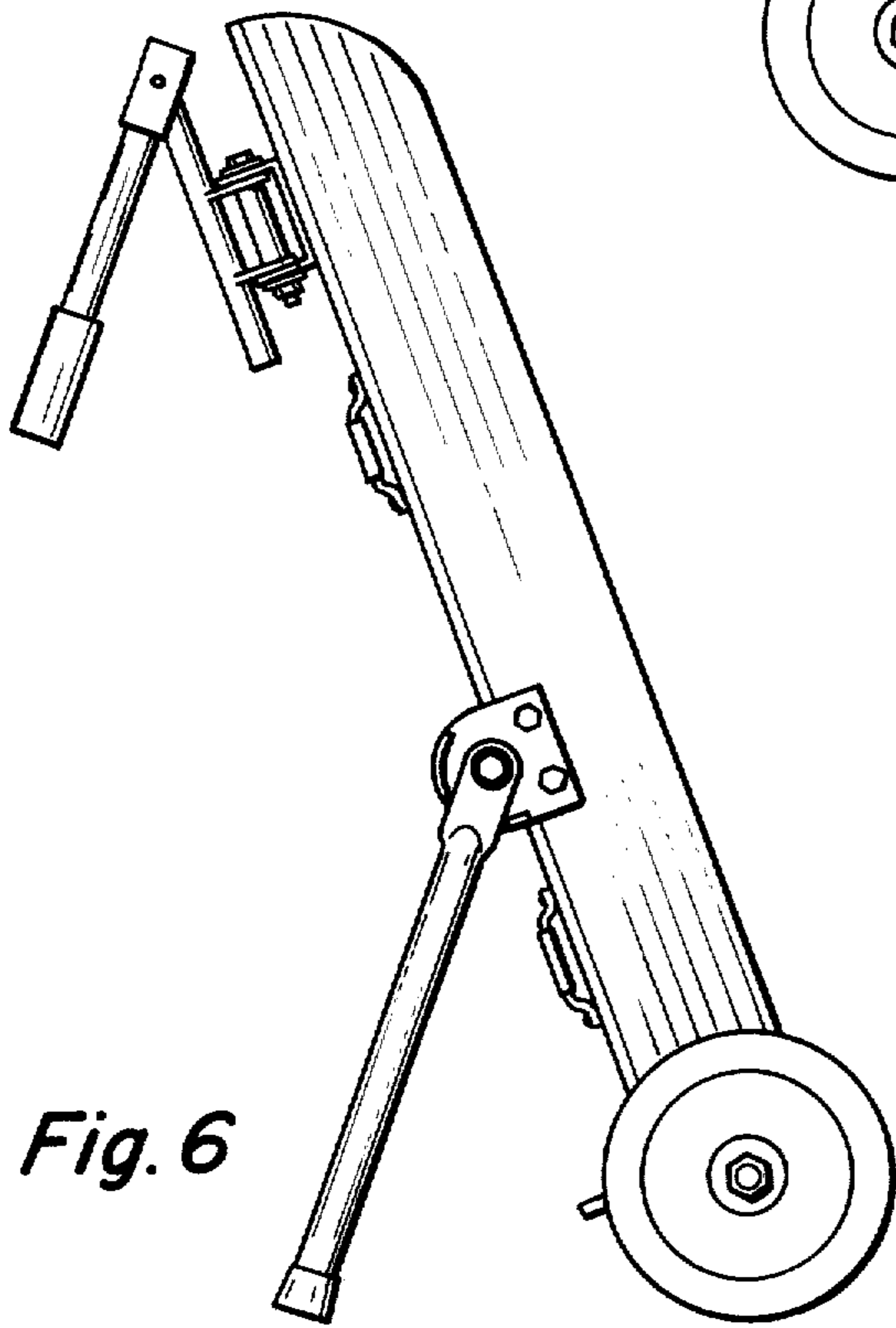
*Fig. 3*



*Fig. 4*



*Fig. 5*



*Fig. 6*