

[54] LOCK HOUSING WITH CONNECTING MECHANISMS

[76] Inventor: Olof B. Wåhlin, Hinsholmsgatan 7, 421 77 Västra Frölunda, Sweden

[**] Term: 14 Years

[21] Appl. No.: 88,756

[22] Filed: Oct. 29, 1979

[30] Foreign Application Priority Data

Apr. 27, 1979 [SE] Sweden 79-1090

[51] Int. Cl. D8-08

[52] U.S. Cl. D8/382; D8/331; D8/339; D8/341

[58] Field of Search 52/127, 238, 286; 403/8, 9, 252, 199, 255; 70/90, 89; 292/251, 142, 58; D8/339, 340, 331, 341, 382, 384, 394, 400

[56] References Cited

U.S. PATENT DOCUMENTS

- 3,672,710 6/1972 Kroopp 403/255 X
- 3,945,742 3/1976 Condevaux 403/255

- 4,108,422 8/1978 Fleischmann 403/255 X
- 4,109,429 8/1978 Whisson 52/127 X
- 4,142,809 3/1979 Shell 403/255 X

FOREIGN PATENT DOCUMENTS

2624273 12/1977 Fed. Rep. of Germany 403/255

Primary Examiner—A. Hugo Word

[57] CLAIM

The ornamental design for a lock housing with connecting mechanisms, as shown and described.

DESCRIPTION

FIG. 1 is an exploded perspective view showing a lock housing with connecting mechanisms according to my new design;

FIG. 2 is a longitudinal sectional view through the assembled mechanisms in completely assembled position;

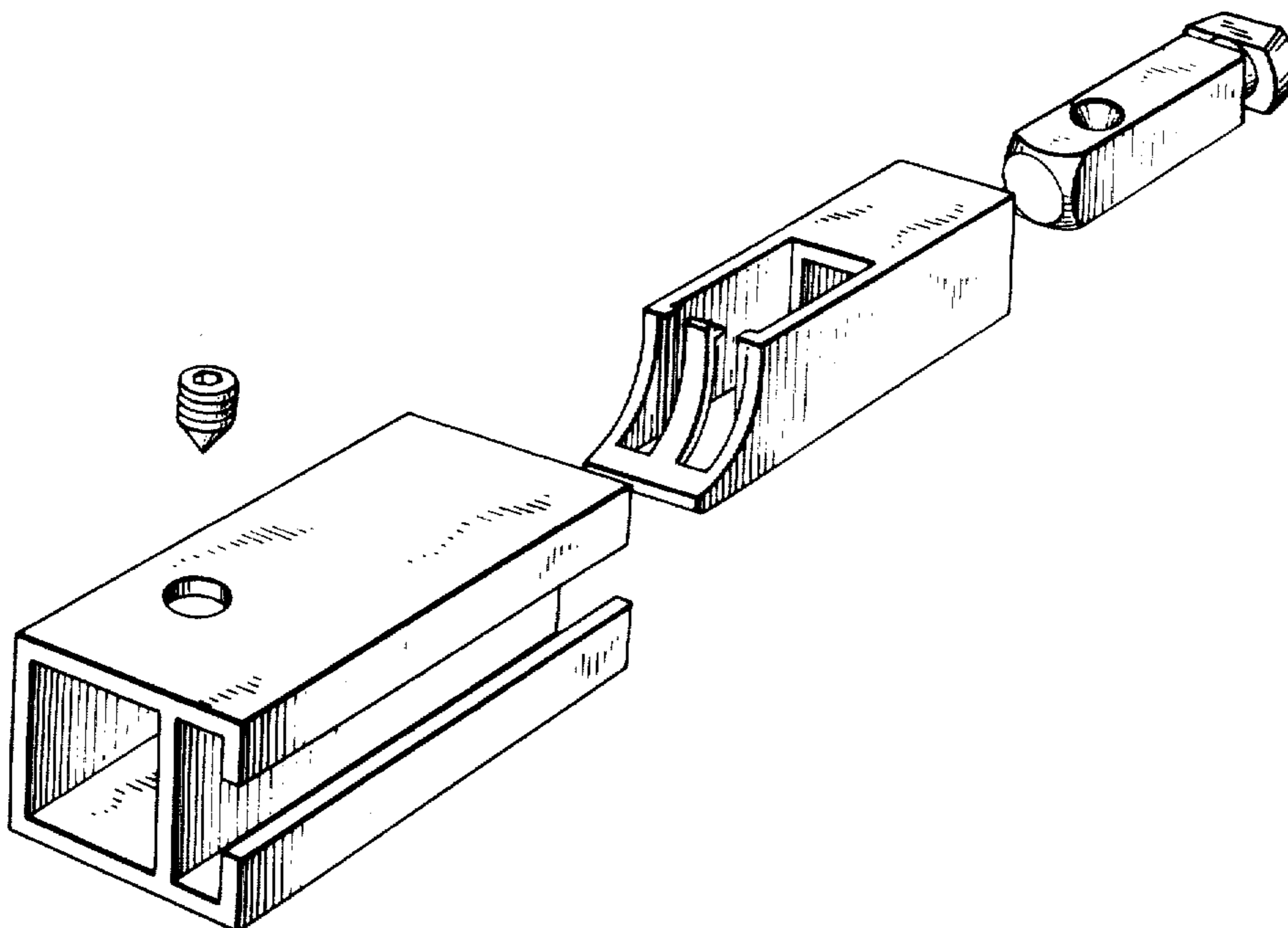
FIG. 3 is a perspective view taken from the top, front and right side of one of the connecting mechanisms;

FIG. 4 is a right side elevational view thereof;

FIG. 5 is a top plan view thereof;

FIG. 6 is a bottom plan view thereof;

FIG. 7 is a left end view thereof;



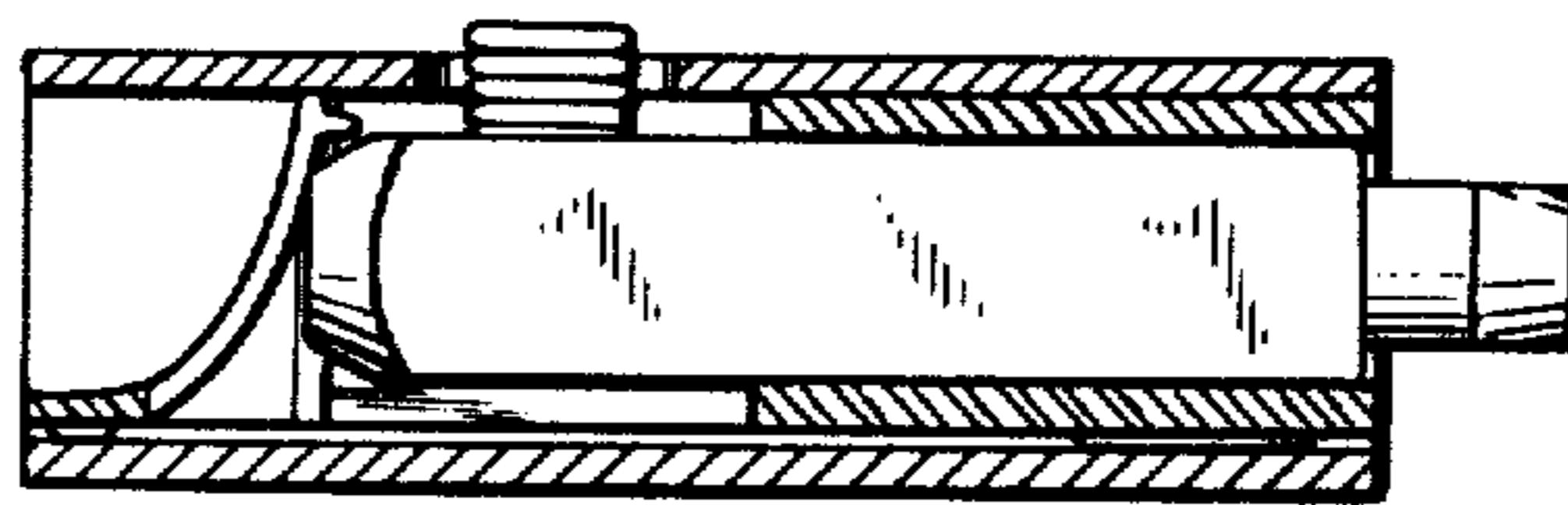
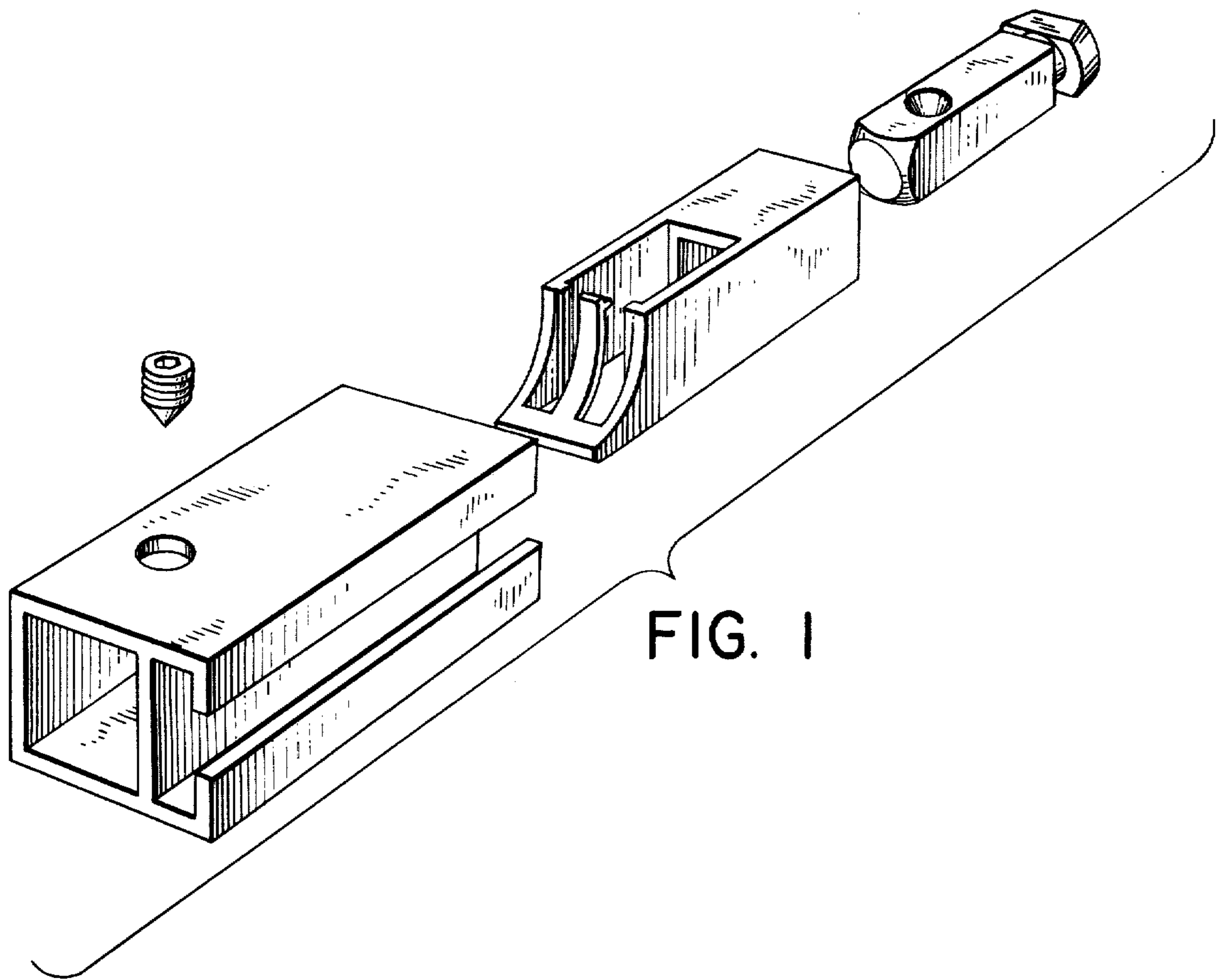


FIG. 2

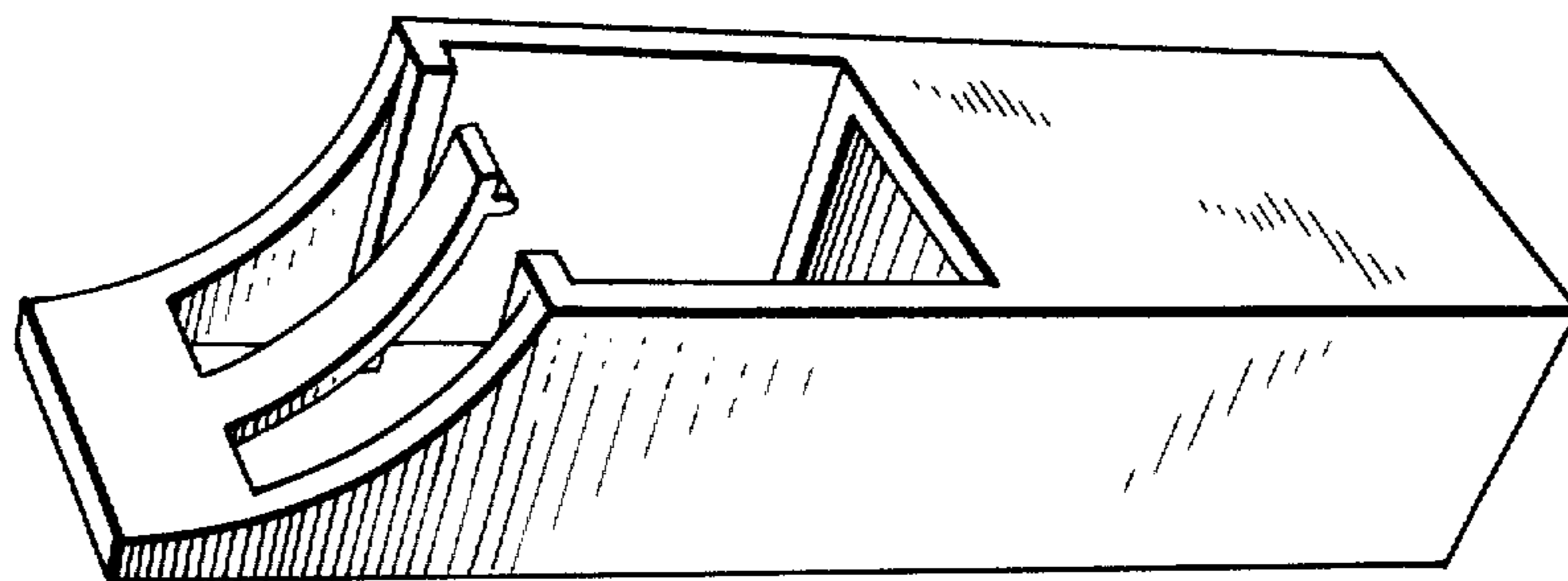


FIG. 3

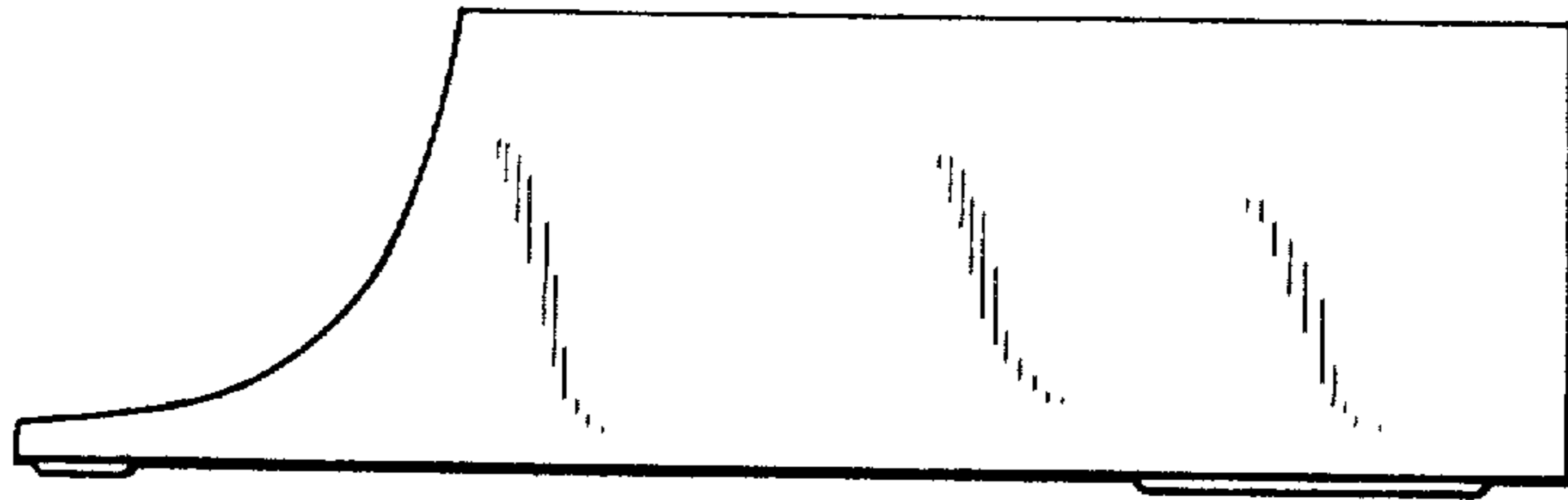


FIG. 4

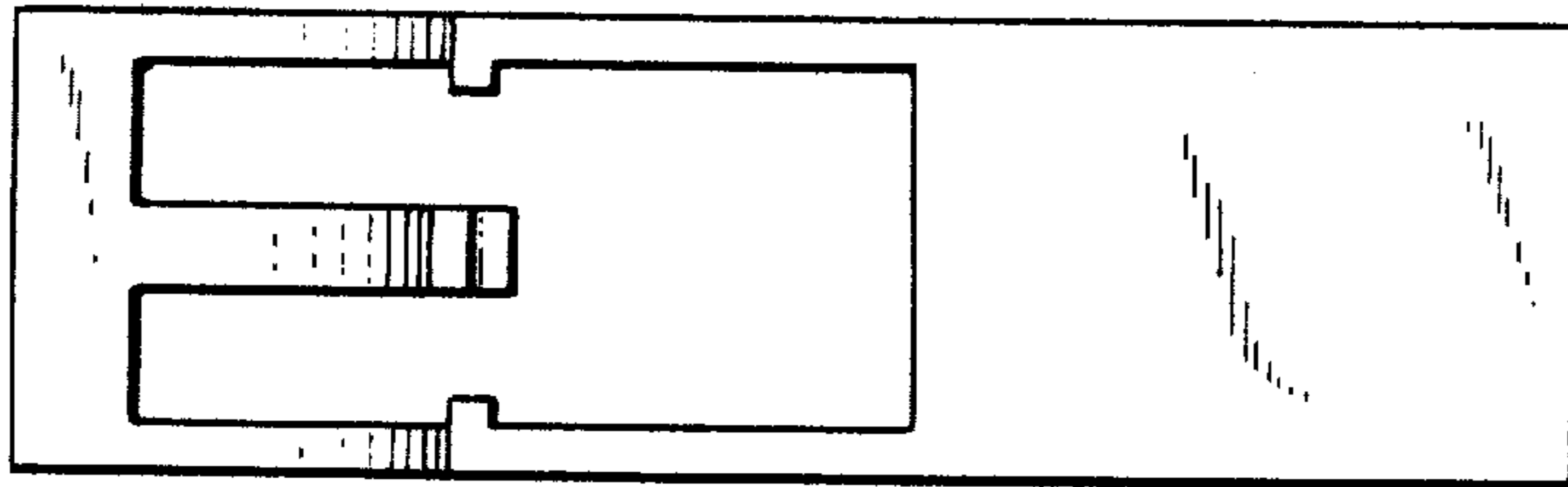


FIG. 5

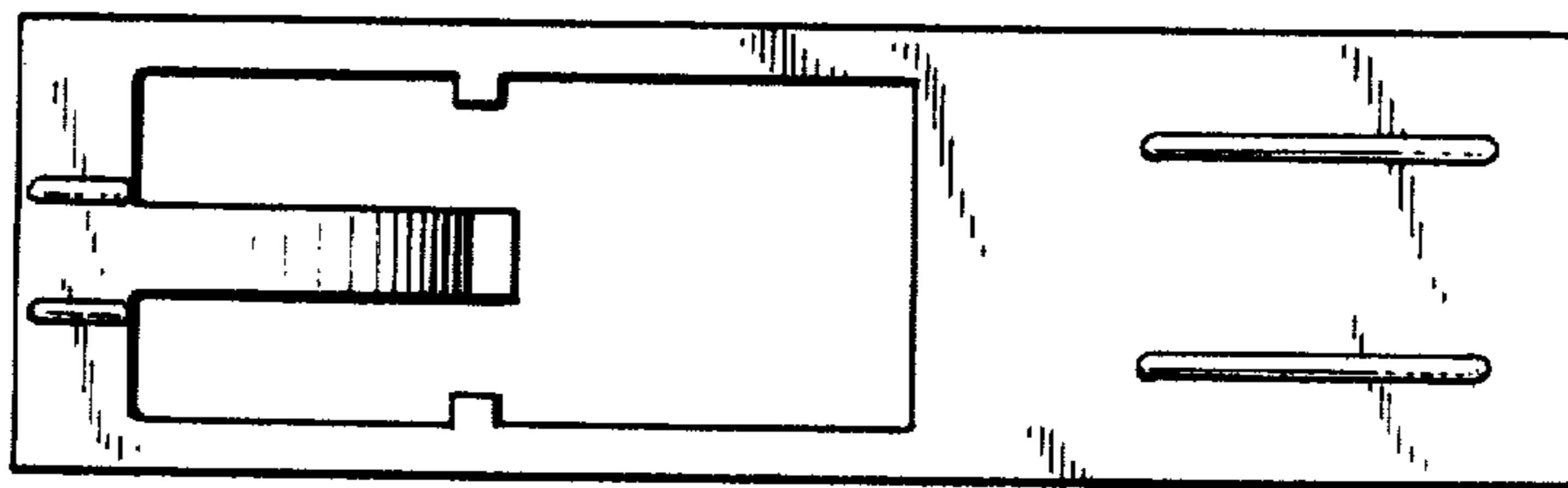


FIG. 6

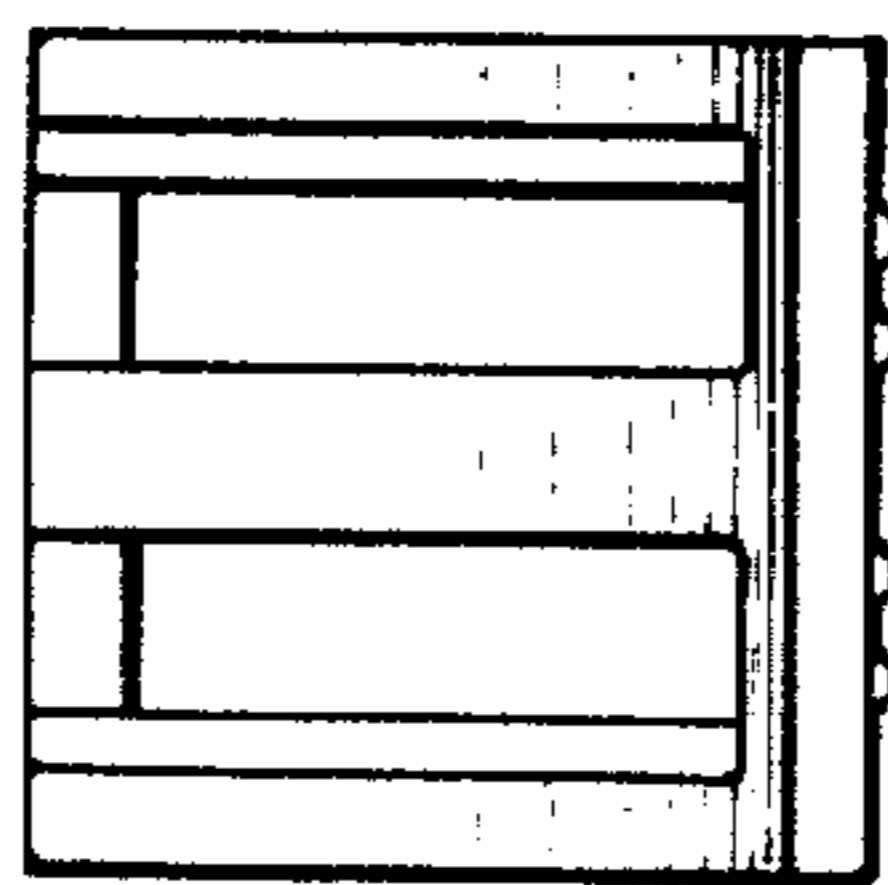


FIG. 7