

**United States Patent** [19]  
**Collins**

[11] **Des. 263,669**  
[45] **\*\* Apr. 6, 1982**

[54] **NAPKIN DISPENSER**

[75] **Inventor:** Scott J. Collins, Brown Deer, Wis.

[73] **Assignee:** Georgia-Pacific Corporation,  
Portland, Oreg.

[\*\*] **Term:** 14 Years

[21] **Appl. No.:** 111,397

[22] **Filed:** Jan. 11, 1980

[51] **Int. Cl.** ..... D7-06

[52] **U.S. Cl.** ..... D7/72

[58] **Field of Search** ..... D7/72; 221/35, 47, 55,  
221/56, 57, 59; 206/556

[56] **References Cited**

**U.S. PATENT DOCUMENTS**

D. 216,918 3/1970 Burk ..... D7/72

2,080,691 5/1937 Broeren ..... D7/72 X  
2,426,136 8/1947 Agamaite ..... 221/57  
3,214,227 10/1965 Filipowicz ..... 206/556

*Primary Examiner*—Leland A. Sebastian  
*Attorney, Agent, or Firm*—Schuyler, Banner, Birch,  
McKie & Beckett

[57] **CLAIM**

The ornamental design for a napkin dispenser, as shown and described.

**DESCRIPTION**

FIG. 1 is a perspective view of a napkin dispenser showing my new design;  
FIG. 2 is a front elevational view thereof;  
FIG. 3 is a rear elevational view thereof;  
FIG. 4 is a side elevational view, the opposite side being a mirror image thereof;  
FIG. 5 is a top plan view thereof; and  
FIG. 6 is a bottom view thereof.

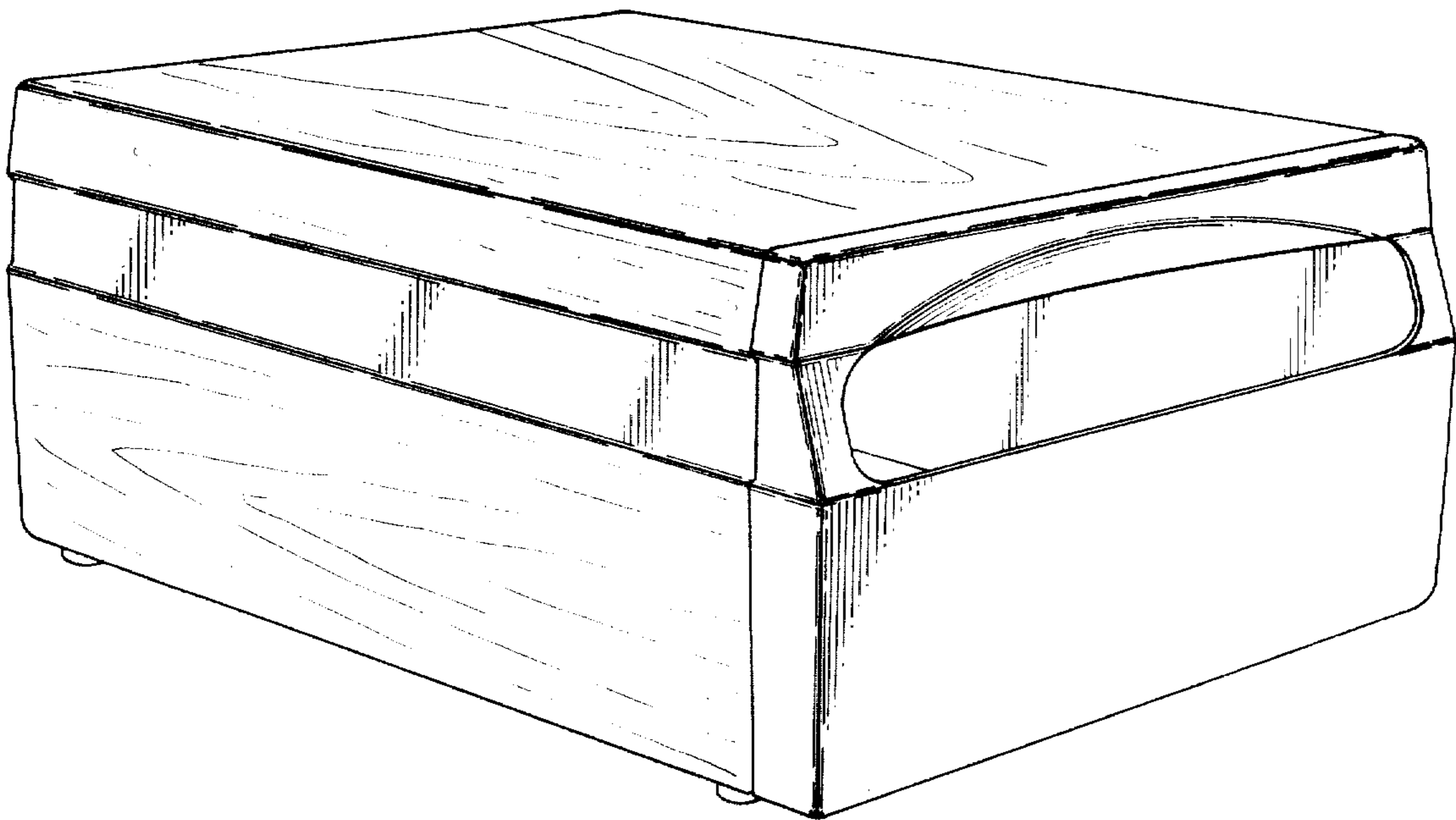


FIG. 1.

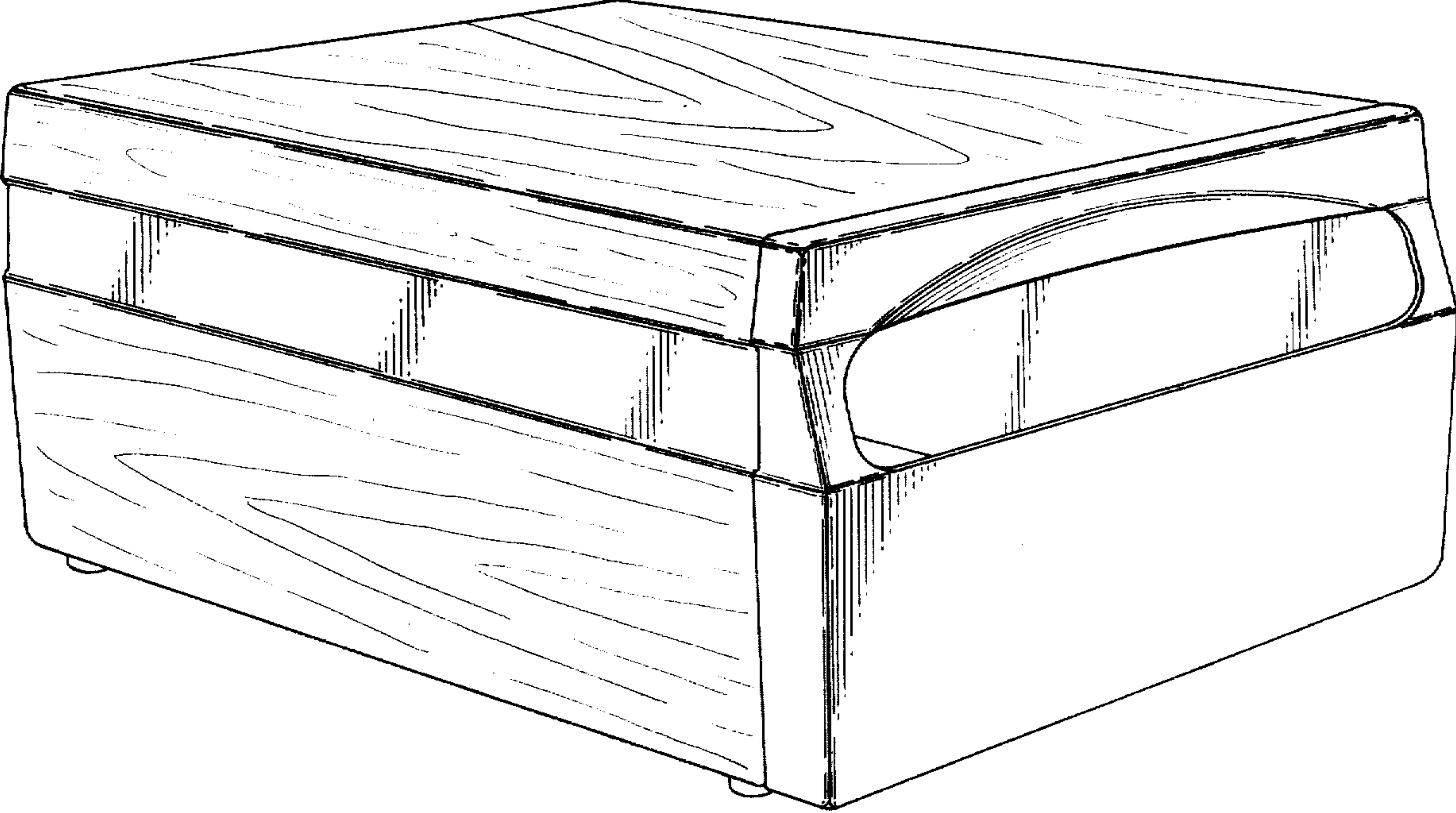


FIG. 2.

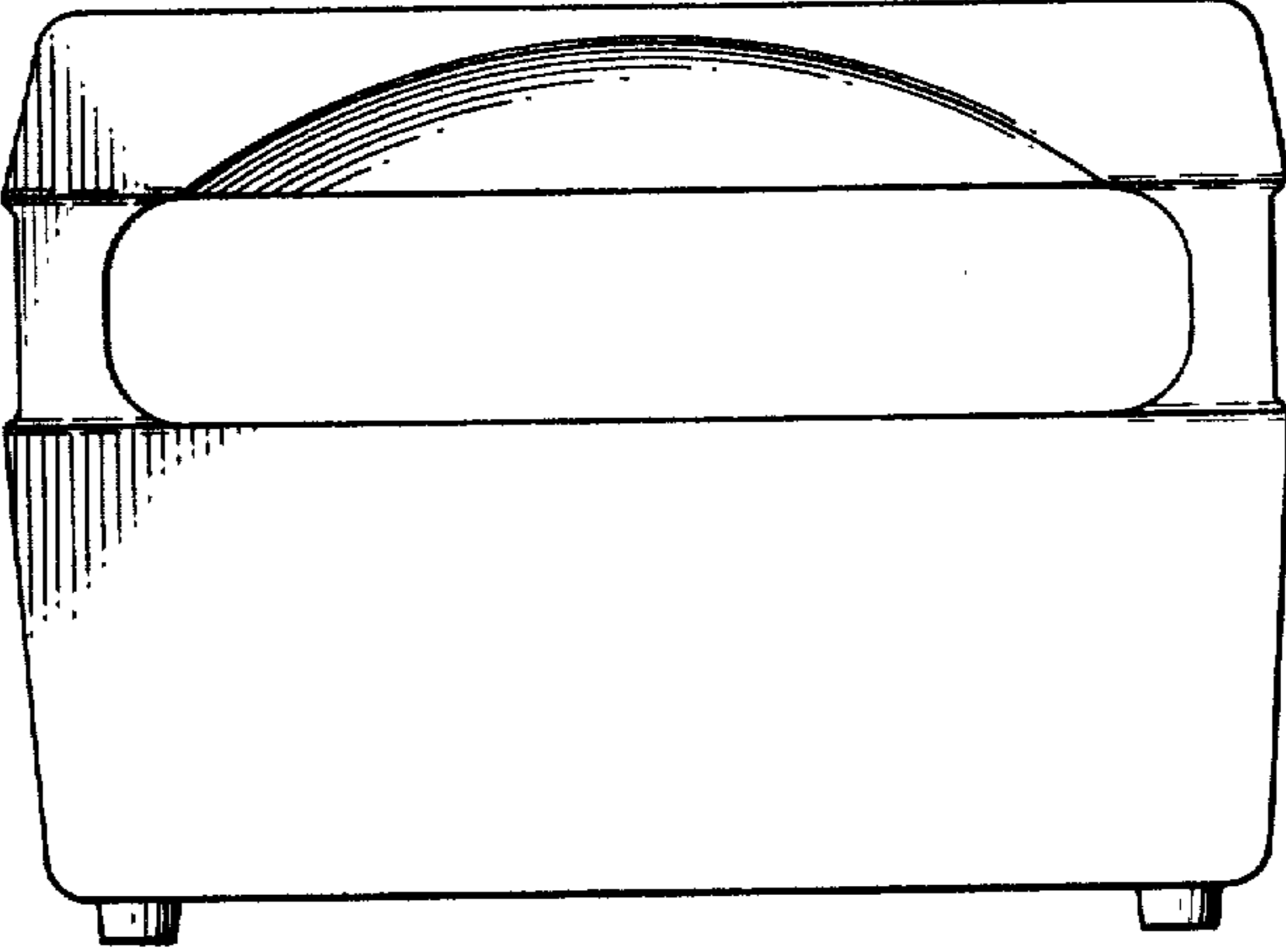


FIG. 3.

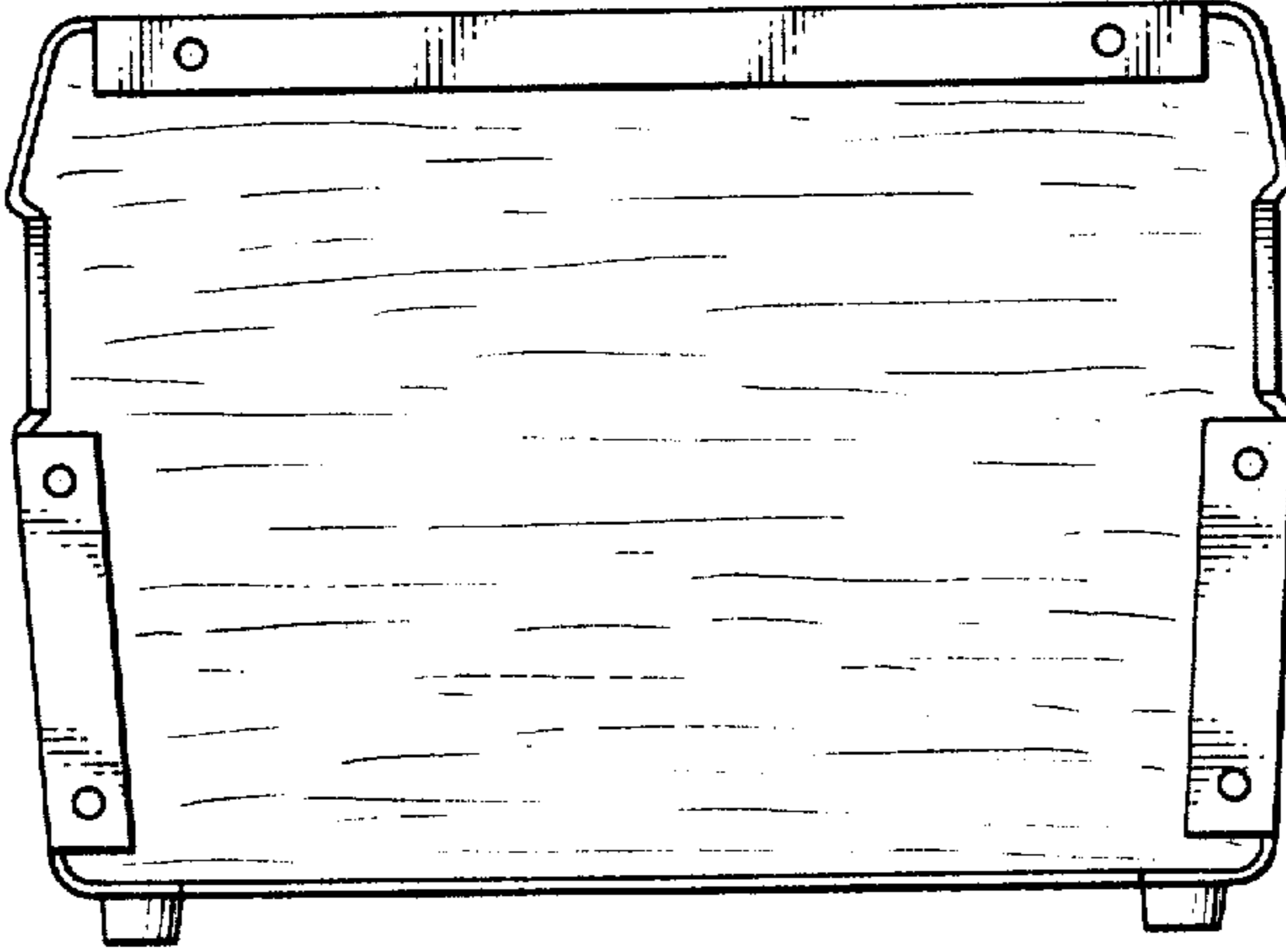


FIG. 4.

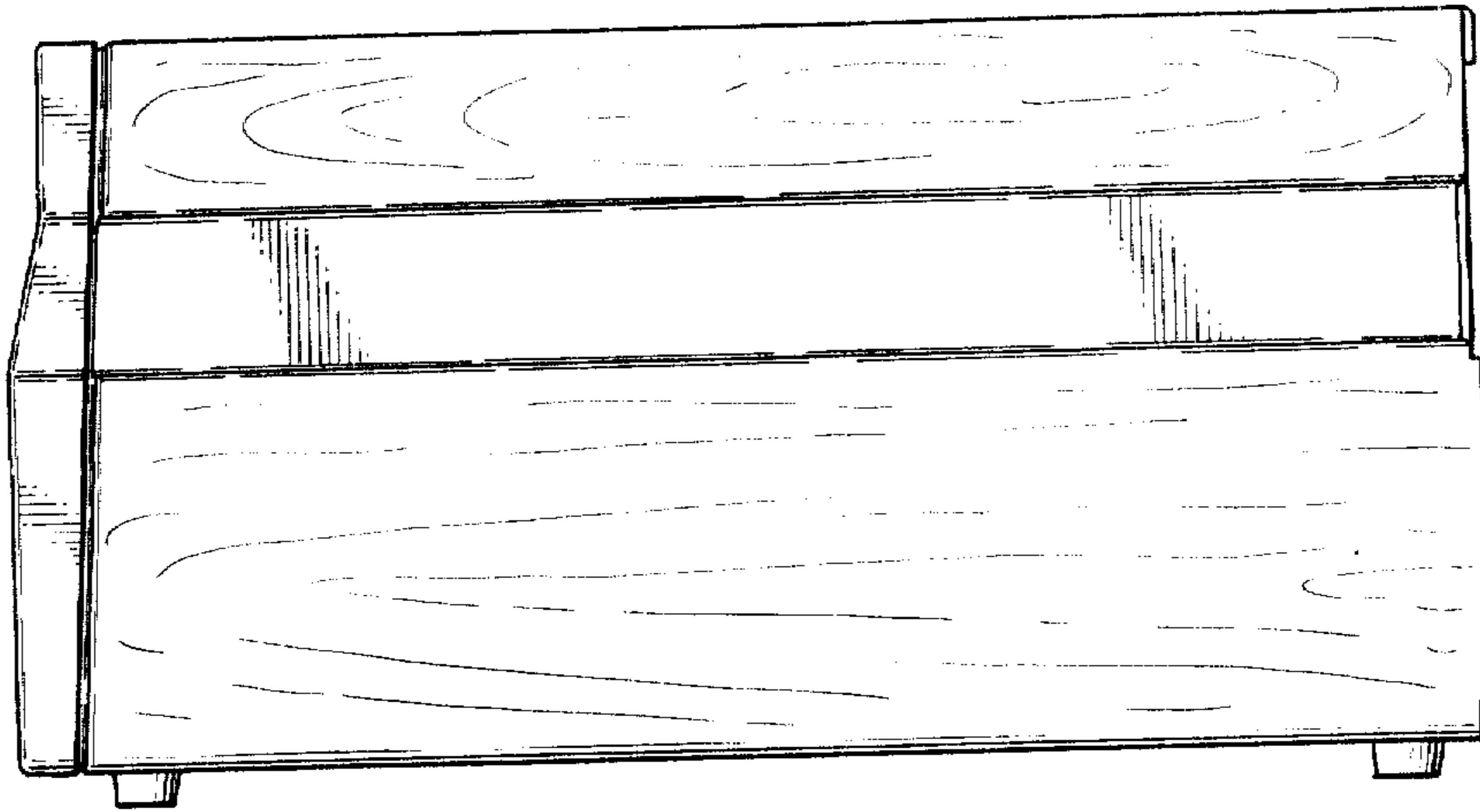


FIG. 5.

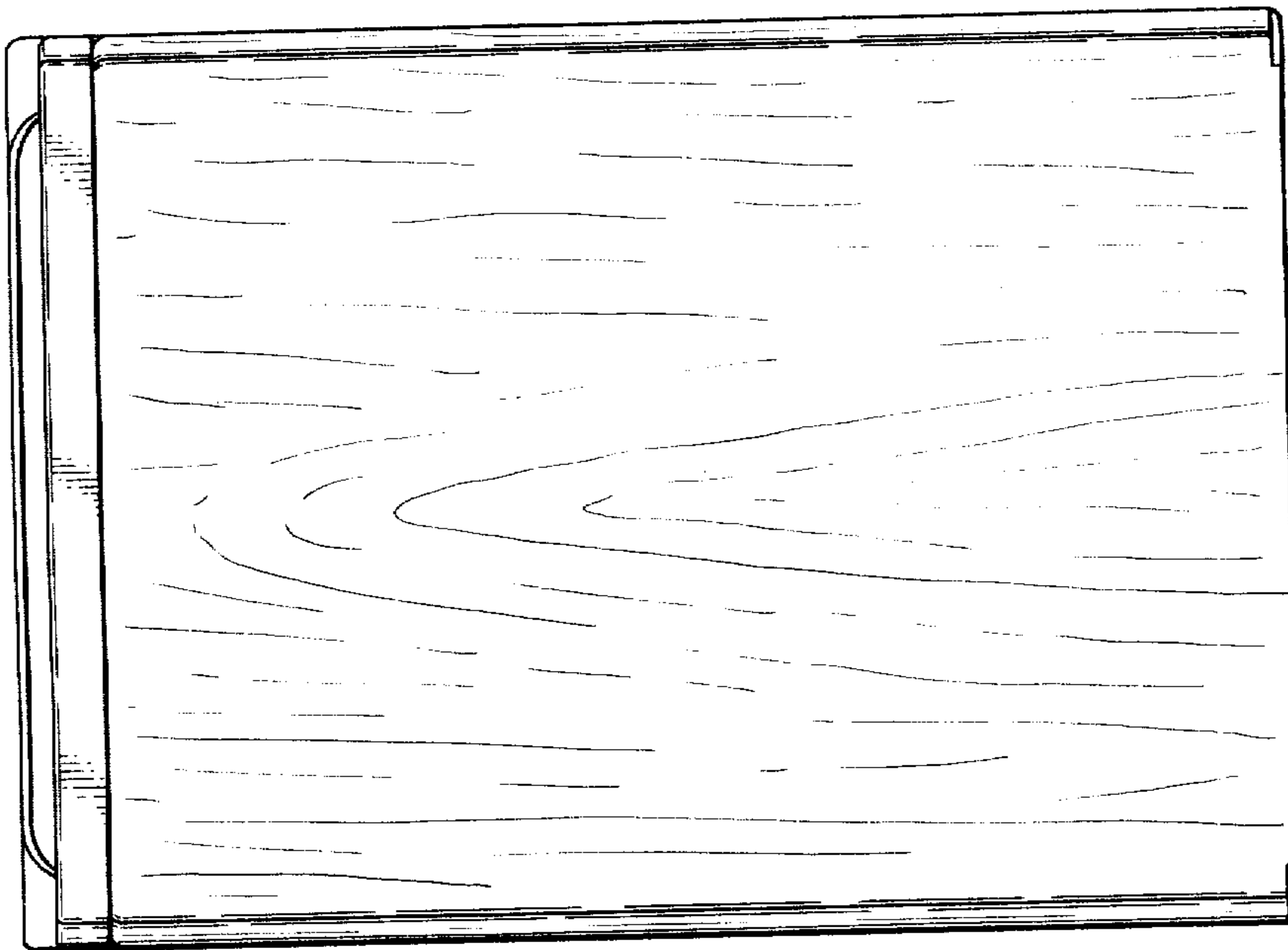


FIG. 6.

