

- [54] BOWL
- [75] Inventor: Lawrence M. Knutson, Prior Lake, Minn.
- [73] Assignee: Decra-Stone, Inc., Prior Lake, Minn.
- [**] Term: 14 Years
- [21] Appl. No.: 873,965
- [22] Filed: Jan. 31, 1978

- [51] Int. Cl. D7-01
- [52] U.S. Cl. D7/29; D7/32
- [58] Field of Search D7/2, 22, 27, 23, 1, D7/3, 29, 30, 31, 32, 76, 17, 37, 20; D9/220, 219, 242, 243; D11/152, 154, 153

[56] **References Cited**
U.S. PATENT DOCUMENTS

D. 16,633	4/1886	Gerard	D7/3
D. 73,465	9/1927	Ahrendts	D7/17
D. 111,504	9/1938	Bennett	D7/27
D. 115,398	6/1939	Heath	D7/27
D. 170,663	10/1953	Smith	D7/27 X
D. 213,491	3/1969	Beeman et al.	D9/219
D. 213,492	3/1969	Beeman et al.	D9/219

Primary Examiner—Leland A. Sebastian

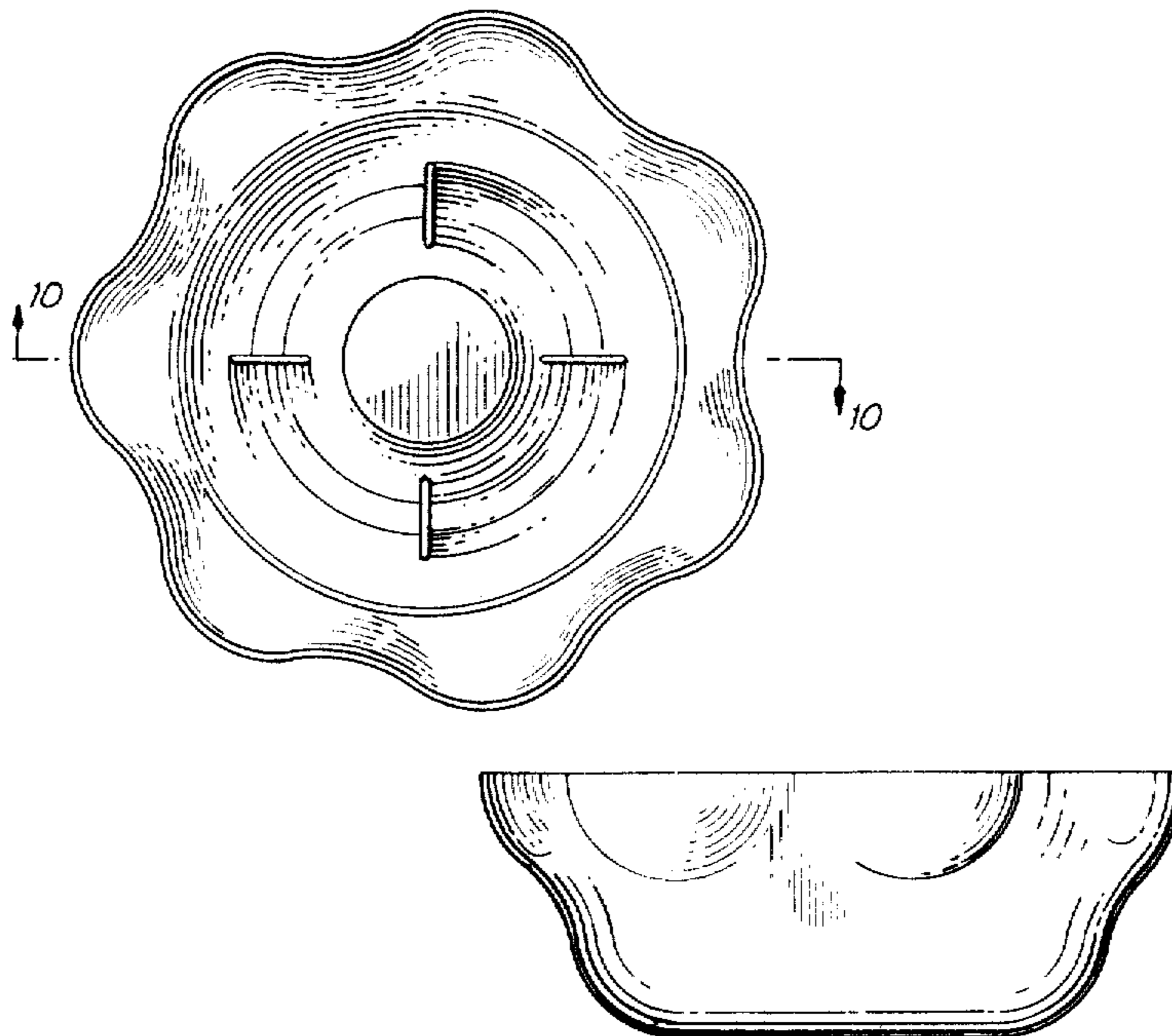
Attorney, Agent, or Firm—Williamson, Bains, Moore & Hansen

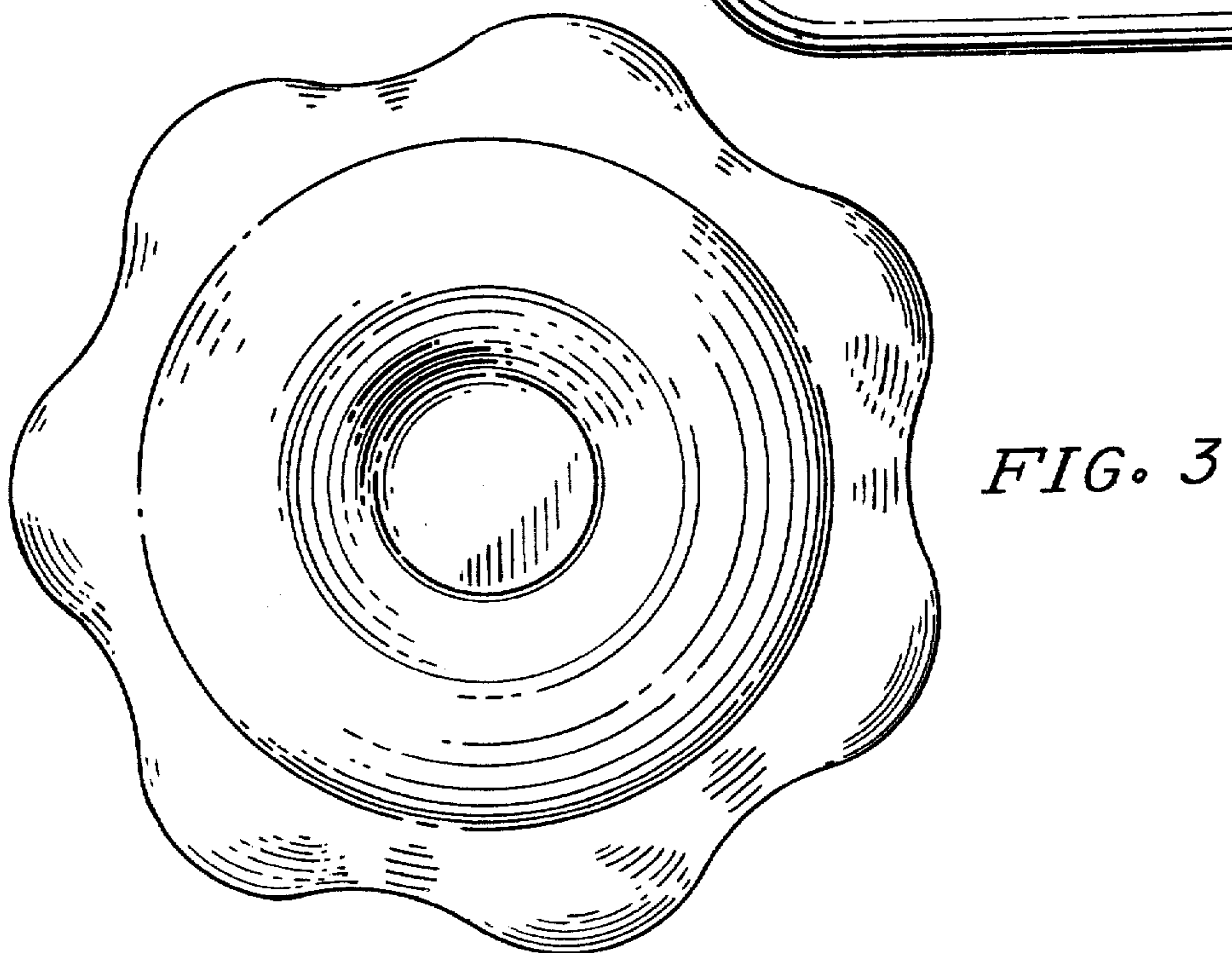
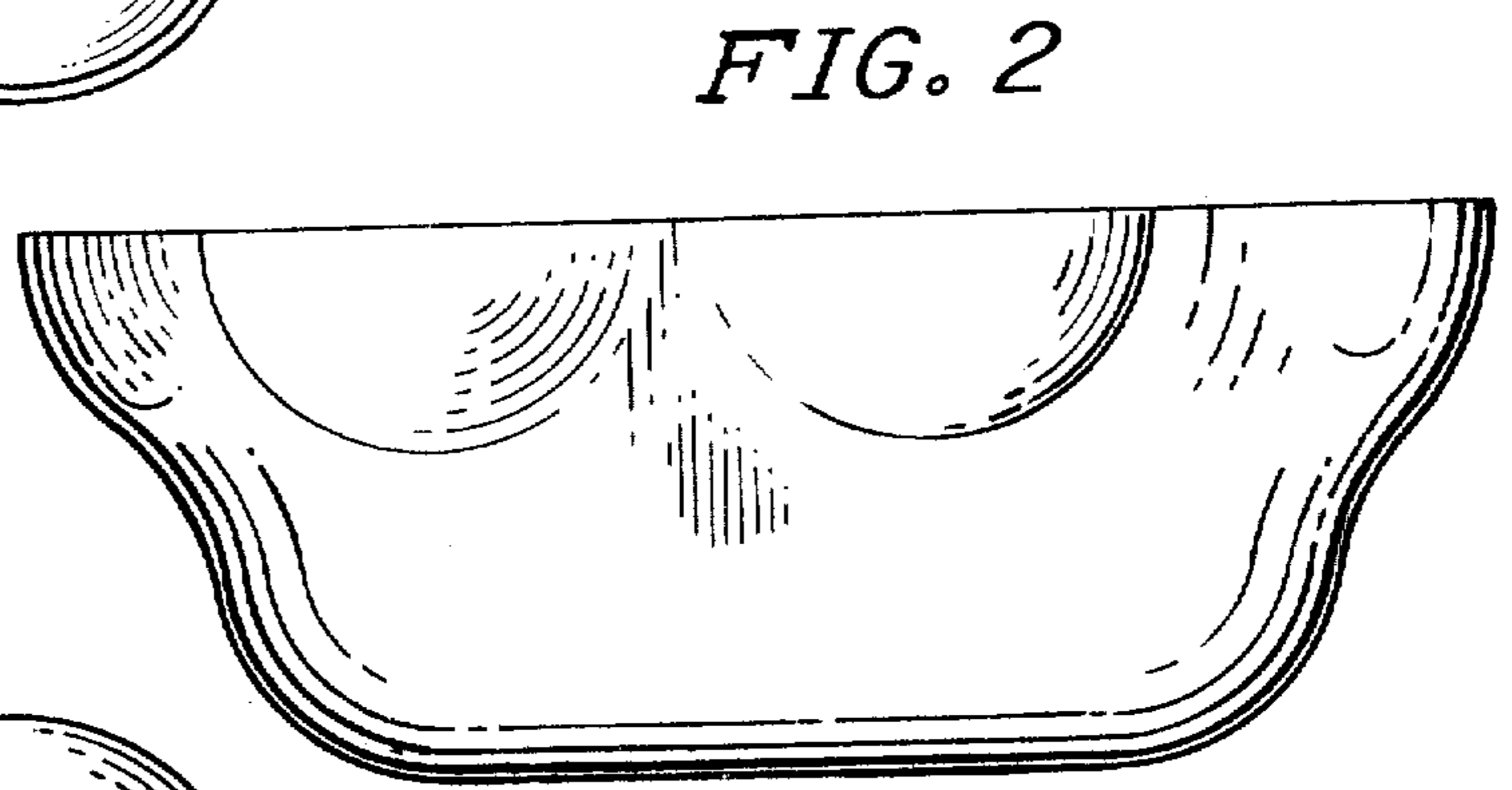
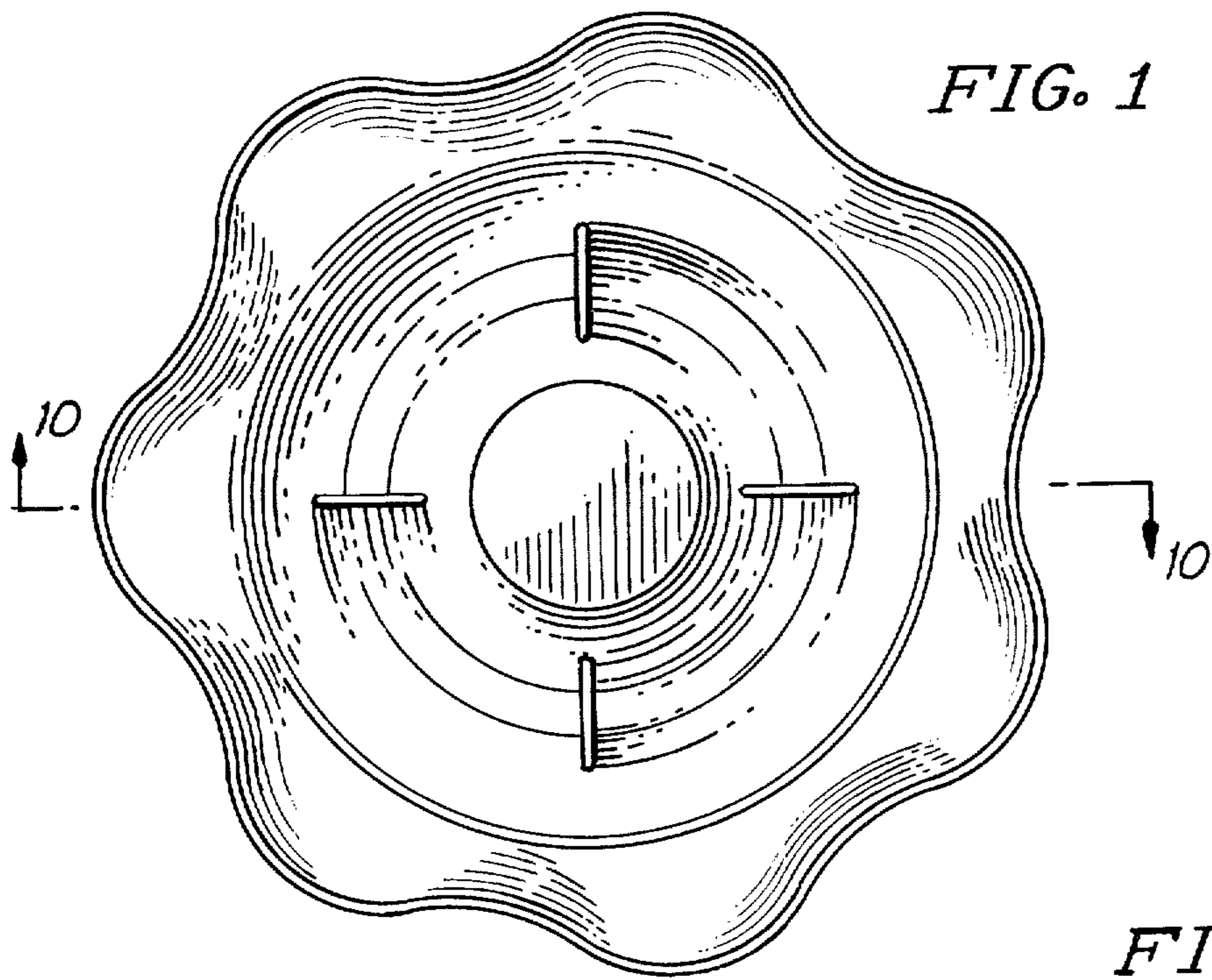
[57] **CLAIM**

The ornamental design for a bowl, as shown and described.

DESCRIPTION

FIG. 1 is a top plan view of a bowl showing a first embodiment of my new design;
 FIG. 2 is a side elevational view of the bowl of FIG. 1;
 FIG. 3 is a bottom plan view of the bowl of FIG. 1;
 FIG. 4 is a top plan view of a bowl showing a second embodiment of my new design;
 FIG. 5 is a side elevation view of the bowl of FIG. 4;
 FIG. 6 is a bottom plan view of the bowl of FIG. 4;
 FIG. 7 is a top plan view of a bowl showing a third embodiment of my new design;
 FIG. 8 is a side elevation view of the bowl of FIG. 7;
 and
 FIG. 9 is a bottom plan view of the bowl of FIG. 7.
 FIG. 10 is a cross-sectional side elevation view of the bowl shown in FIG. 1 and taken in the direction of cutting plane 10—10 of FIG. 1.
 FIG. 11 is a cross-sectional side elevation view of the bowl of FIG. 4 taken in the direction of cutting plane 11—11 of FIG. 4.
 FIG. 12 is a cross-sectional side elevation view of the bowl of FIG. 7 taken in the direction of cutting plane 12—12 of FIG. 7.





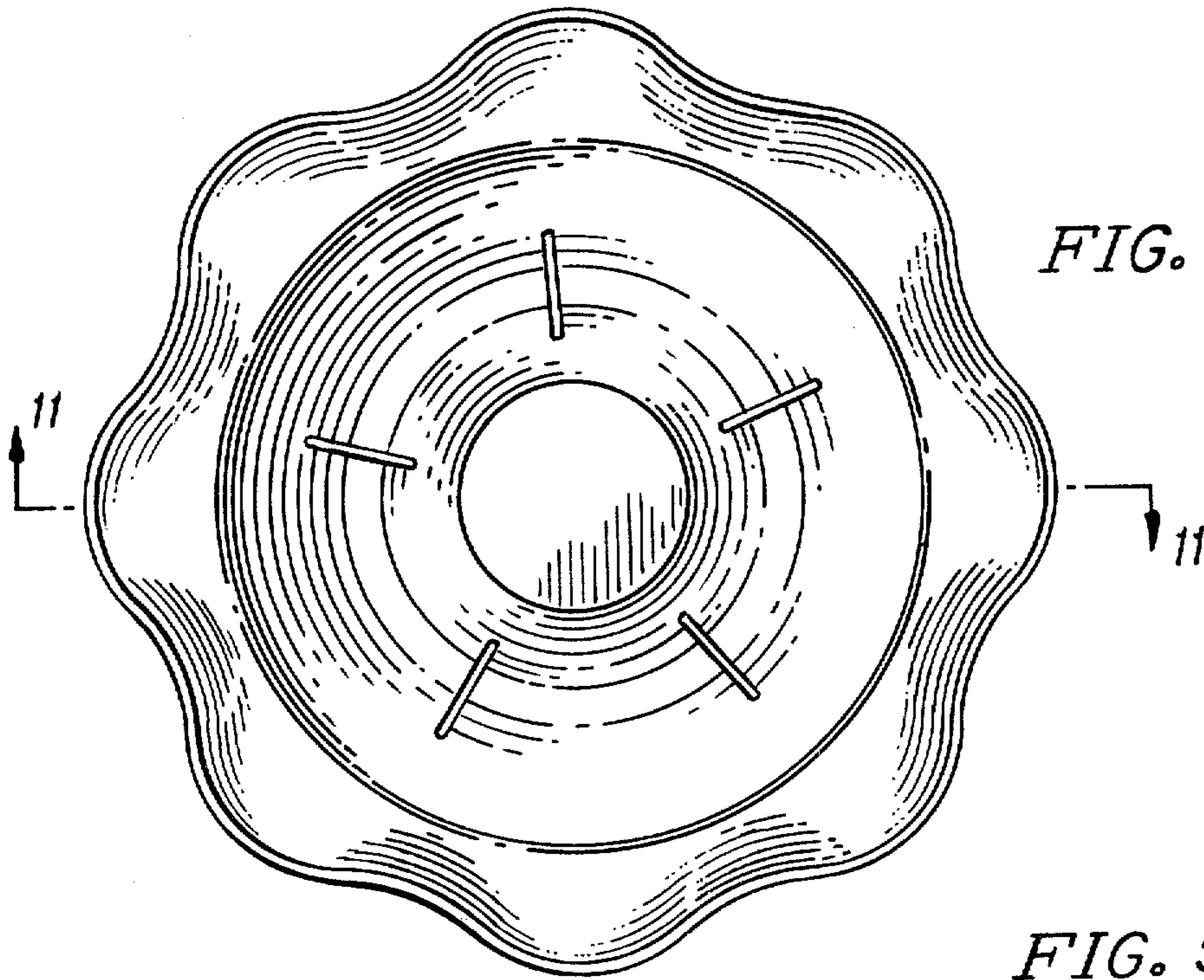


FIG. 5

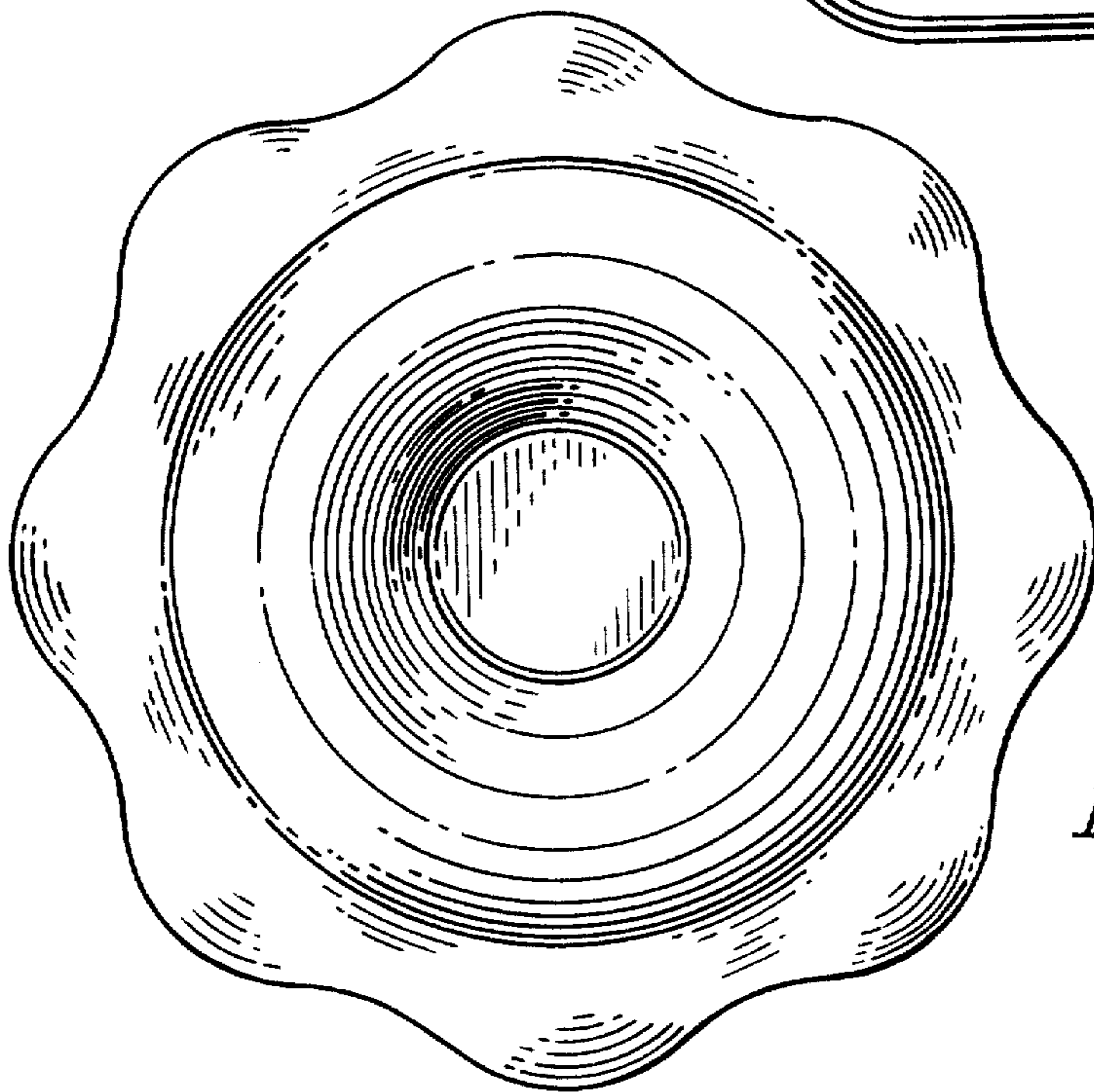
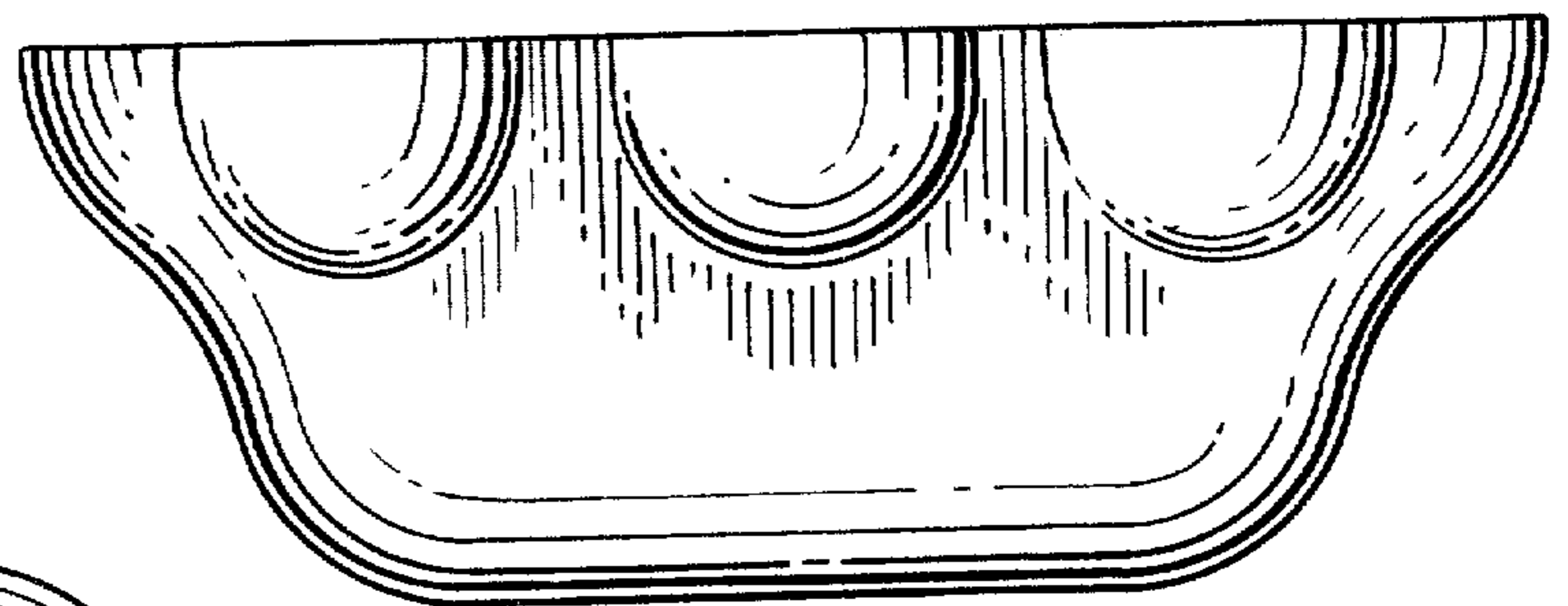


FIG. 6

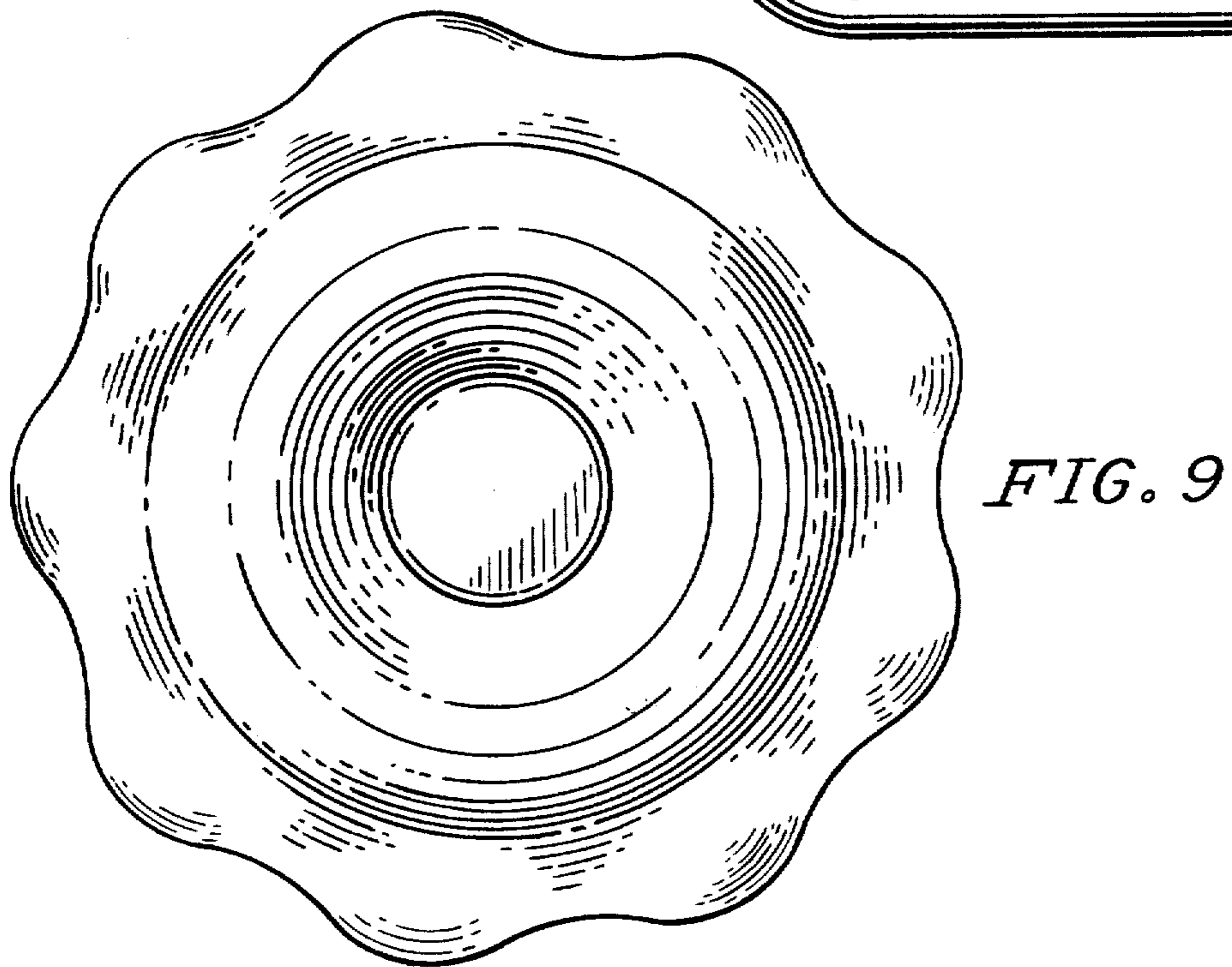
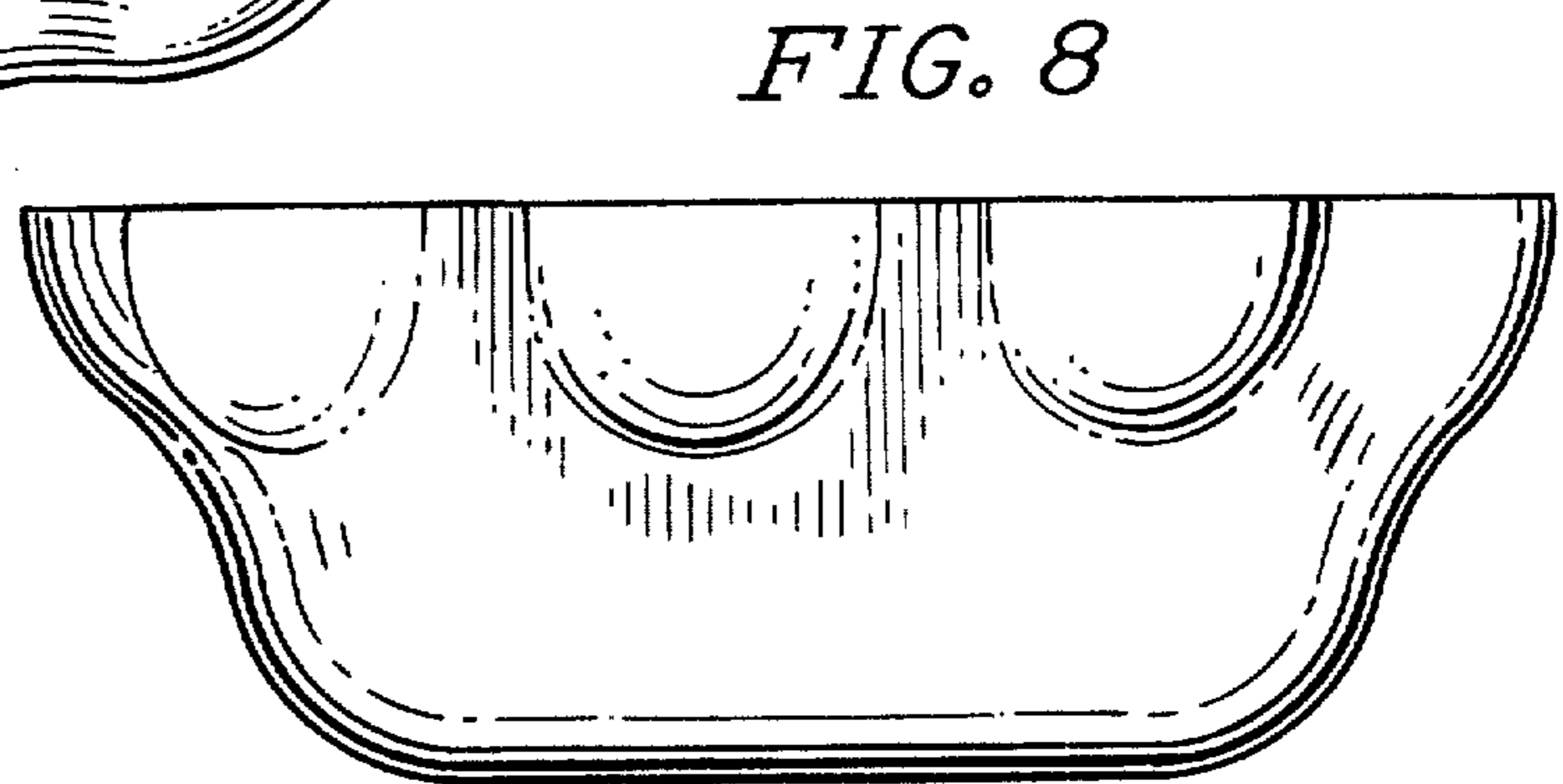
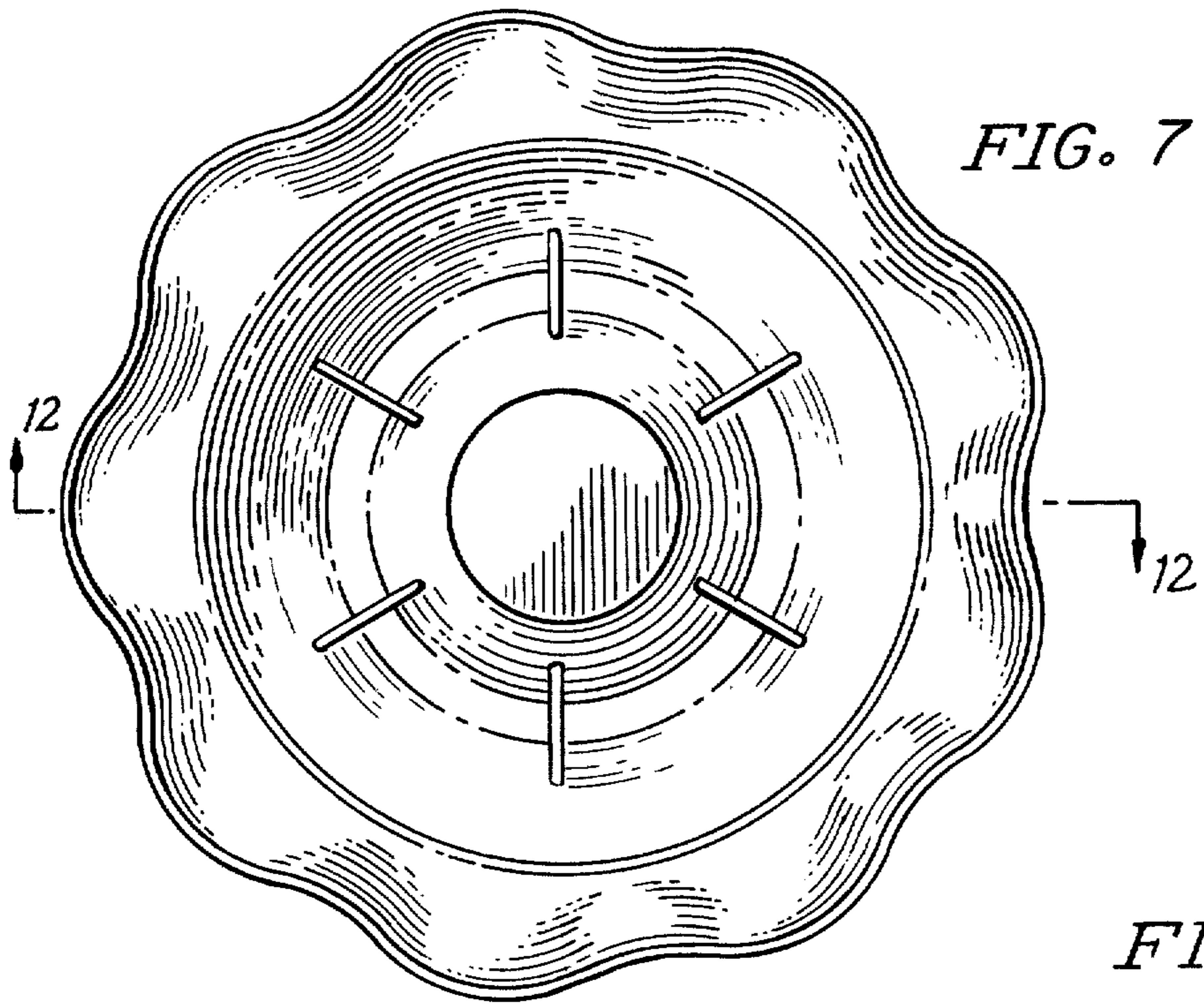


FIG. 10

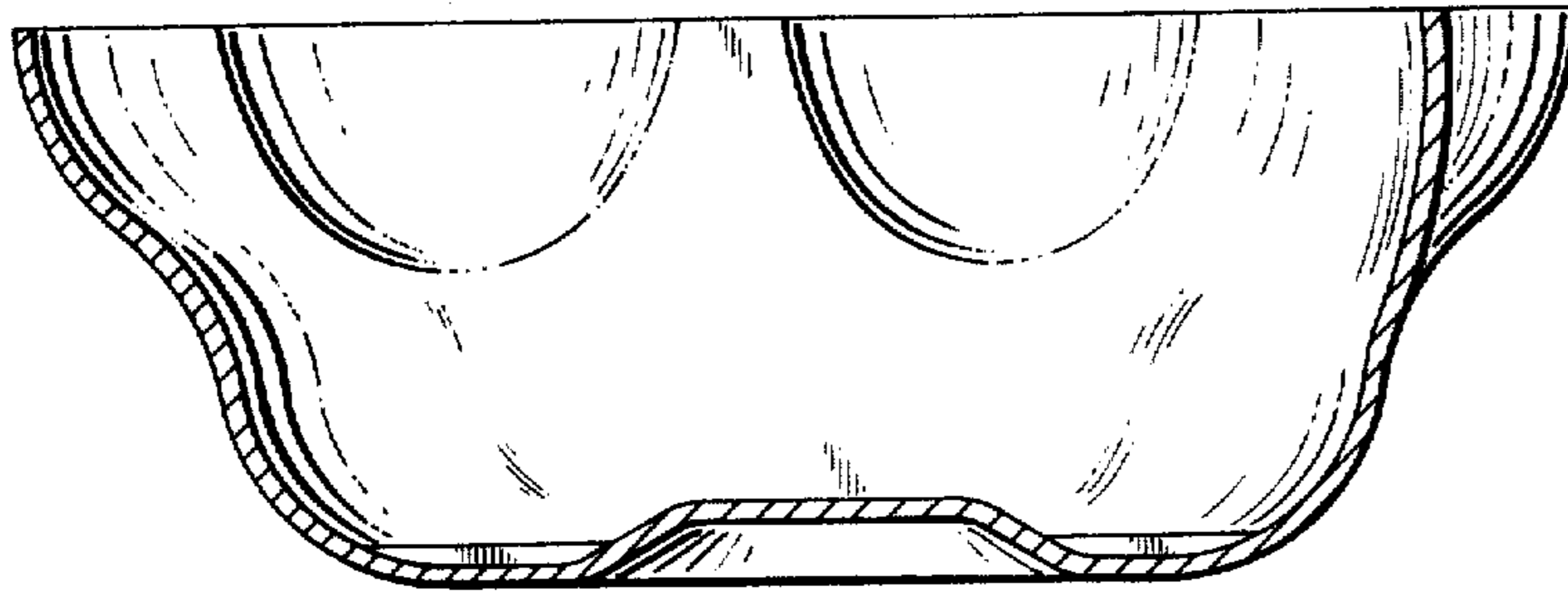


FIG. 11

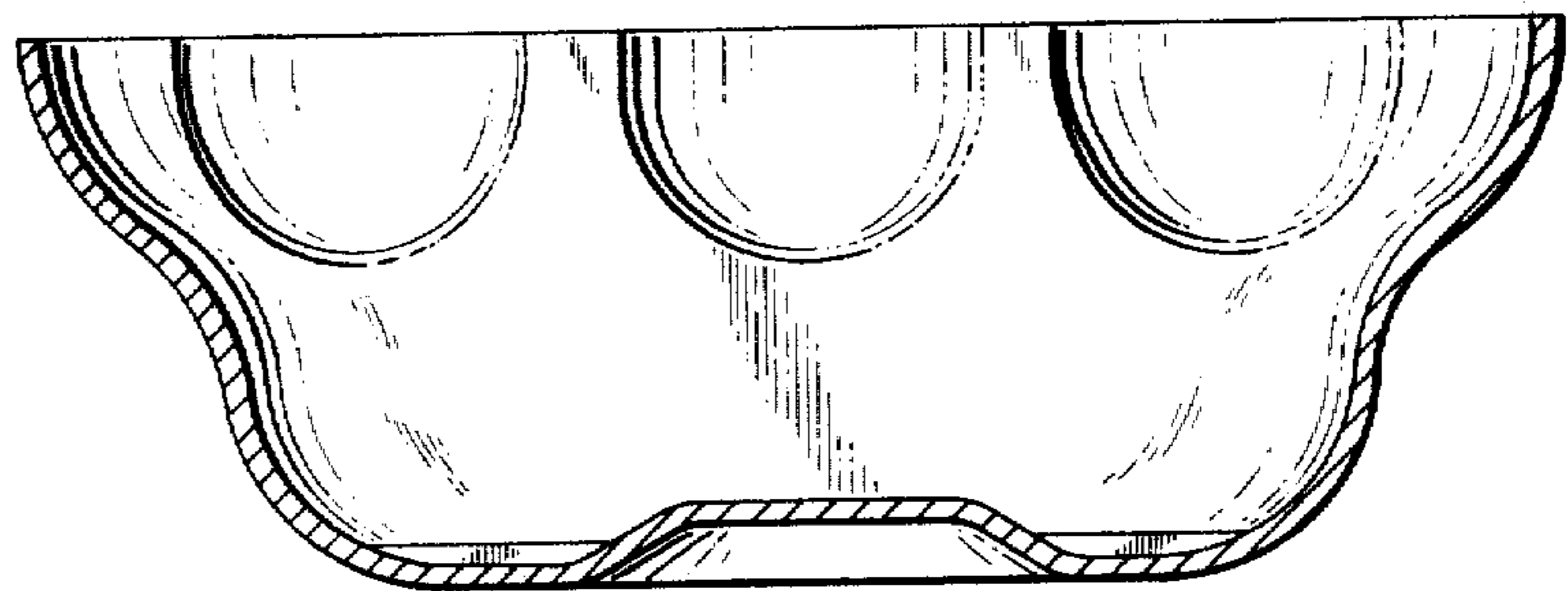


FIG. 12

