

[54] ROTATING MODULAR ALBUM HOLDER AND SUPPORTING BASE THEREFOR

[76] Inventor: Gerald R. Anderson, 2241 Donna Dr., Norman, Okla. 73069

[**] Term: 14 Years

[21] Appl. No.: 924,989

[22] Filed: Jul. 17, 1978

[51] Int. Cl. D6-04

[52] U.S. Cl. D6/185; D3/35; D6/148; D6/175; D6/184; D7/2

[58] Field of Search D3/30, 35, 74; D7/2; D6/25, 27, 140, 146, 148, 157, 175, 179, 181, 184-190; 206/307, 309, 424, 444; 211/40, 41, 42, 50, 78, 163; 312/9, 10, 11

[56] References Cited
U.S. PATENT DOCUMENTS
D. 210,295 2/1968 Treu D6/185

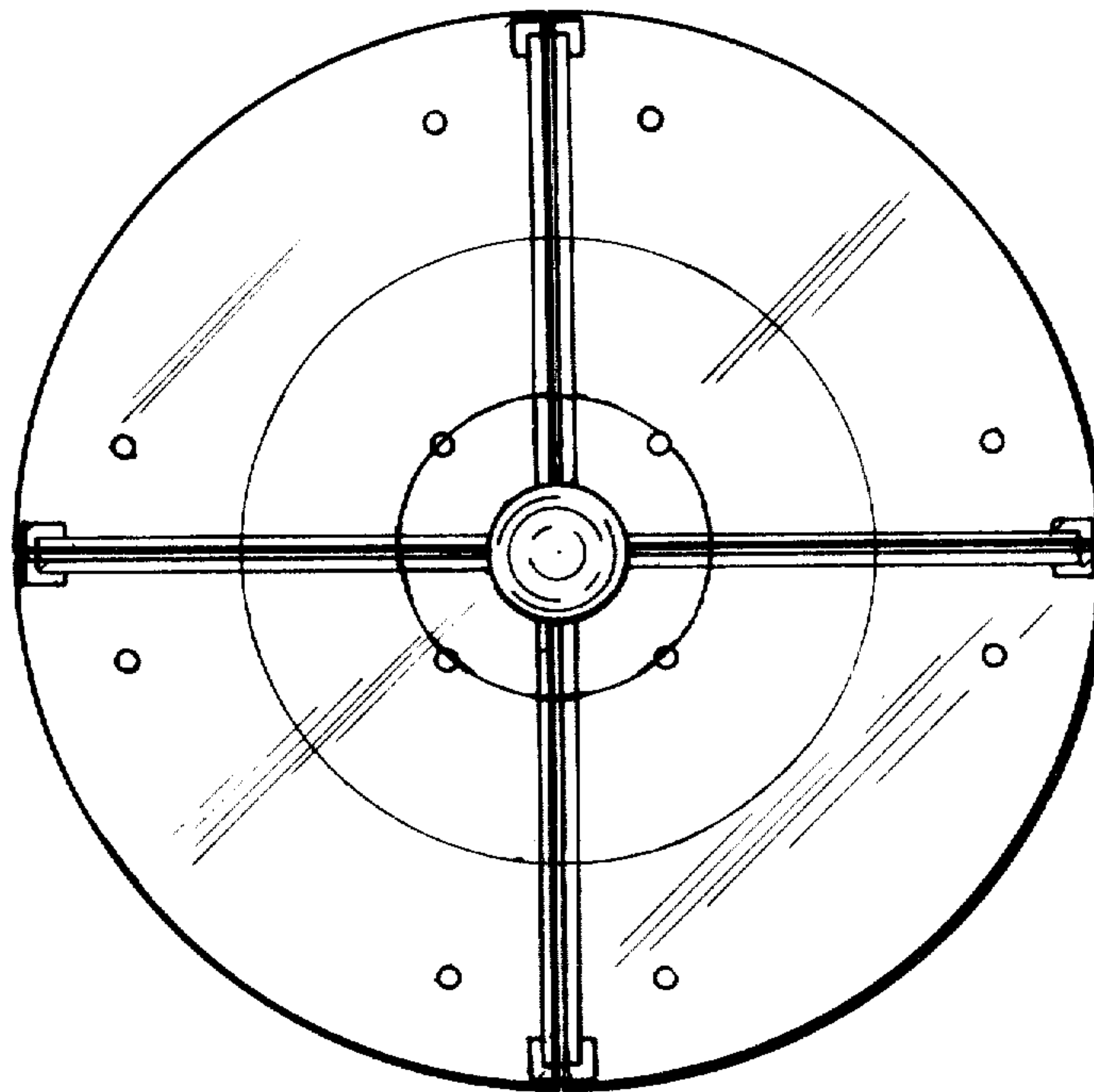
Primary Examiner—George G. Stellar
Attorney, Agent, or Firm—Dunlap, Codding & McCarthy

[57] CLAIM

The ornamental design for a rotating modular album holder and supporting base therefor, as shown and described.

DESCRIPTION

FIG. 1 is a top plan view of a rotating modular album holder and support base therefor showing my new design;
FIG. 2 is a side elevational view thereof;
FIG. 3 is a bottom plan view thereof; and
FIG. 4 is an enlarged scale isometric view of one module of the rotating modular album holder portion of the rotating modular album holder and supporting base therefor of FIG. 1.



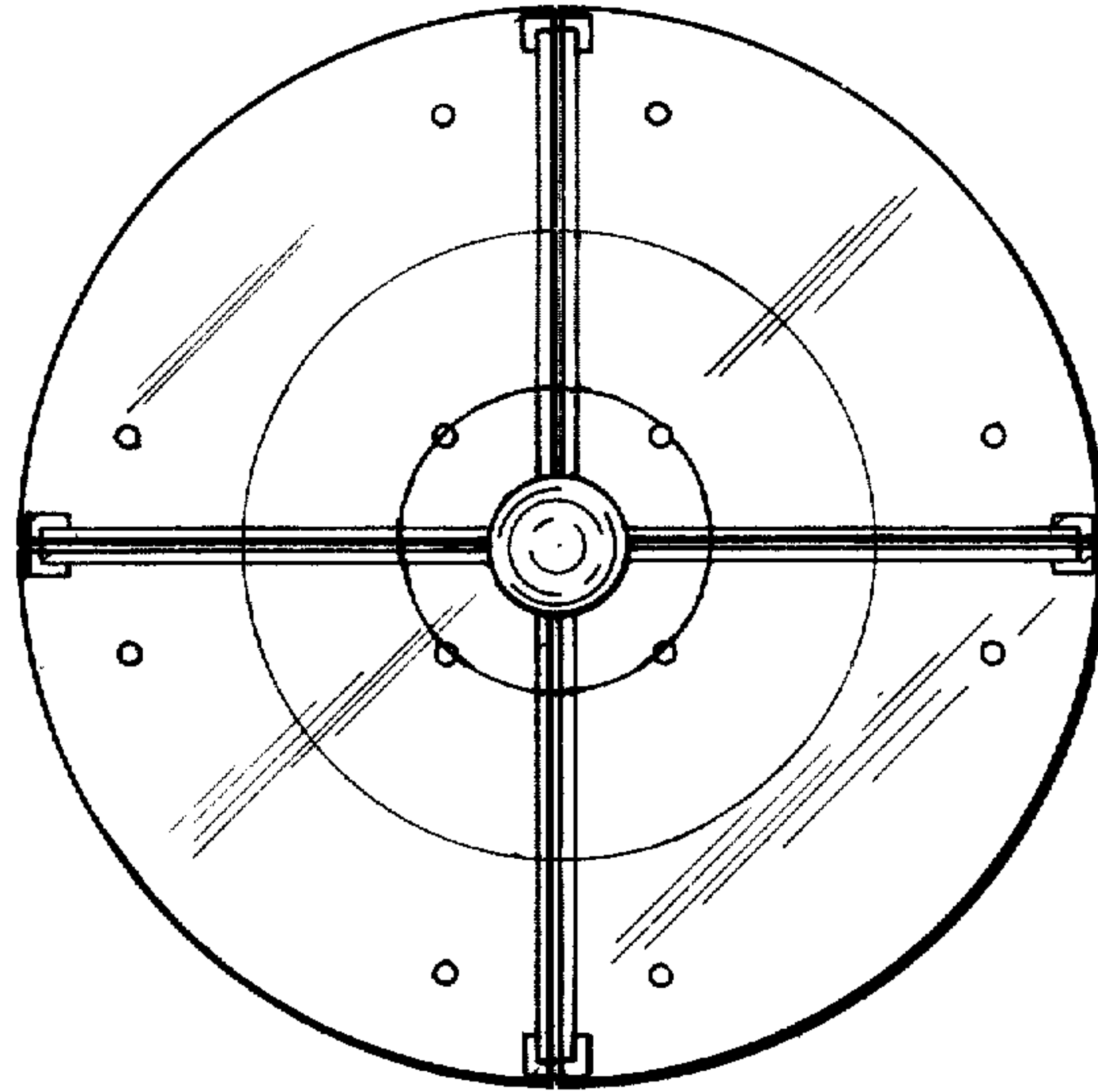


FIG. 1

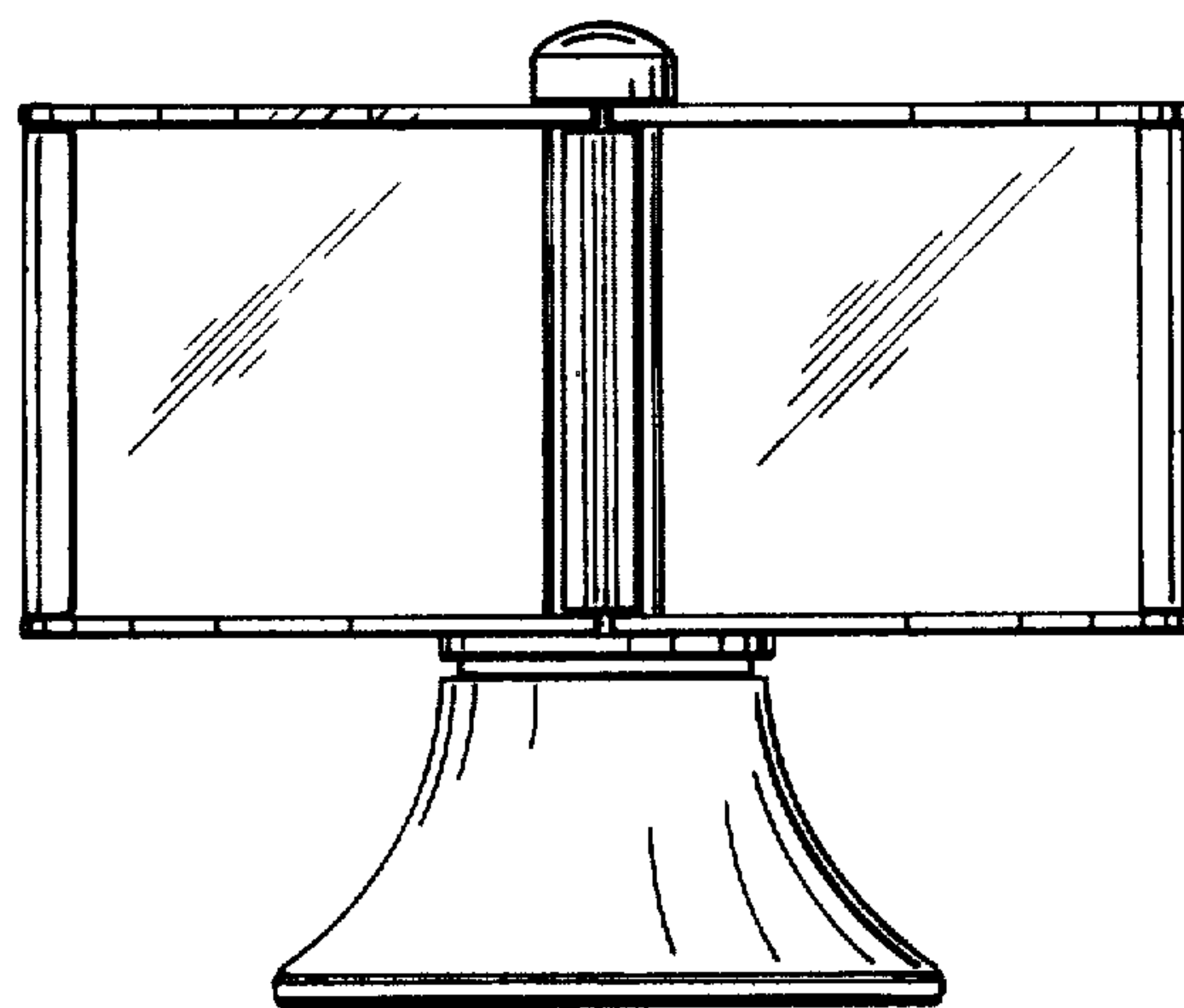


FIG. 2

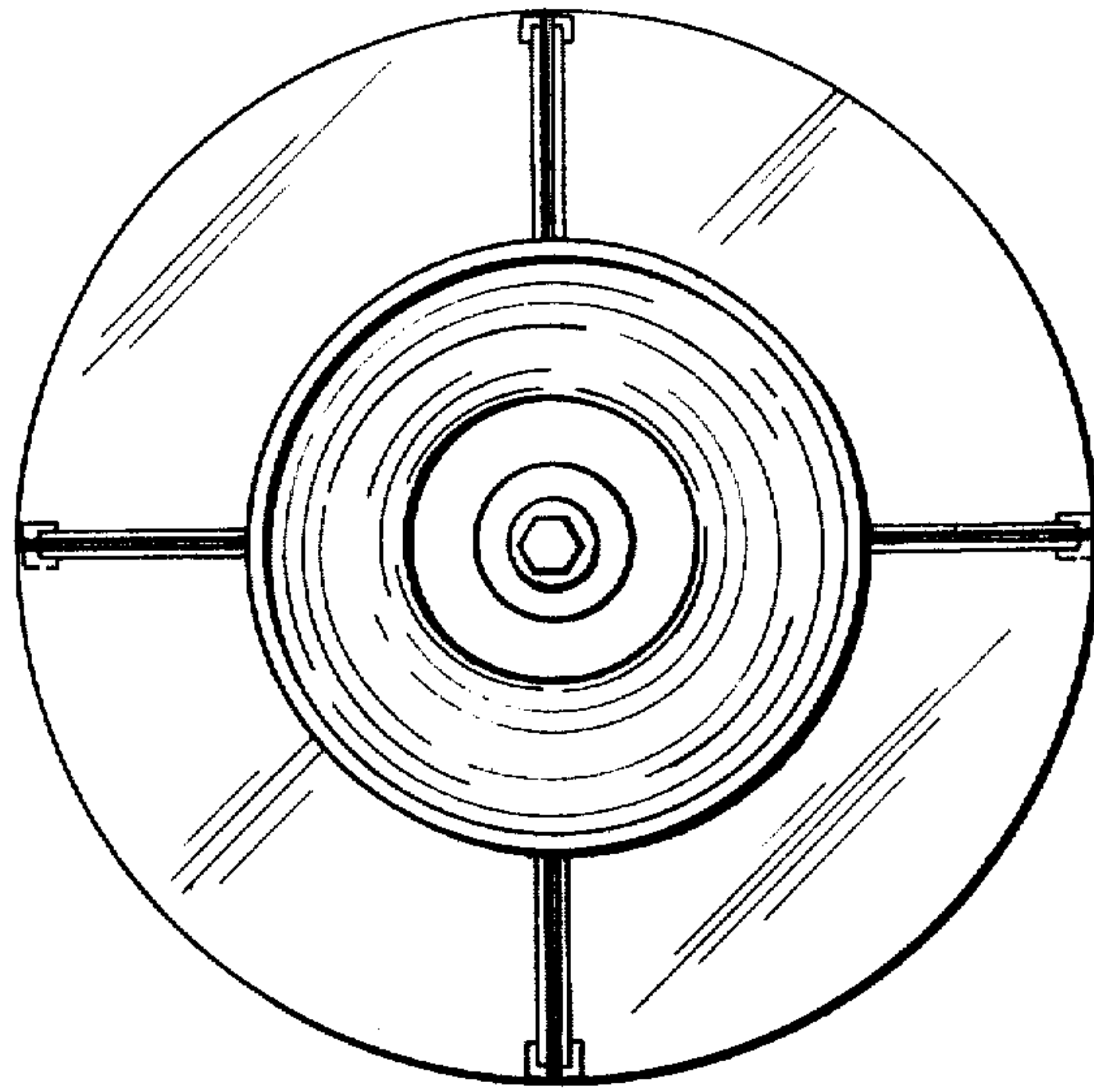


FIG. 3

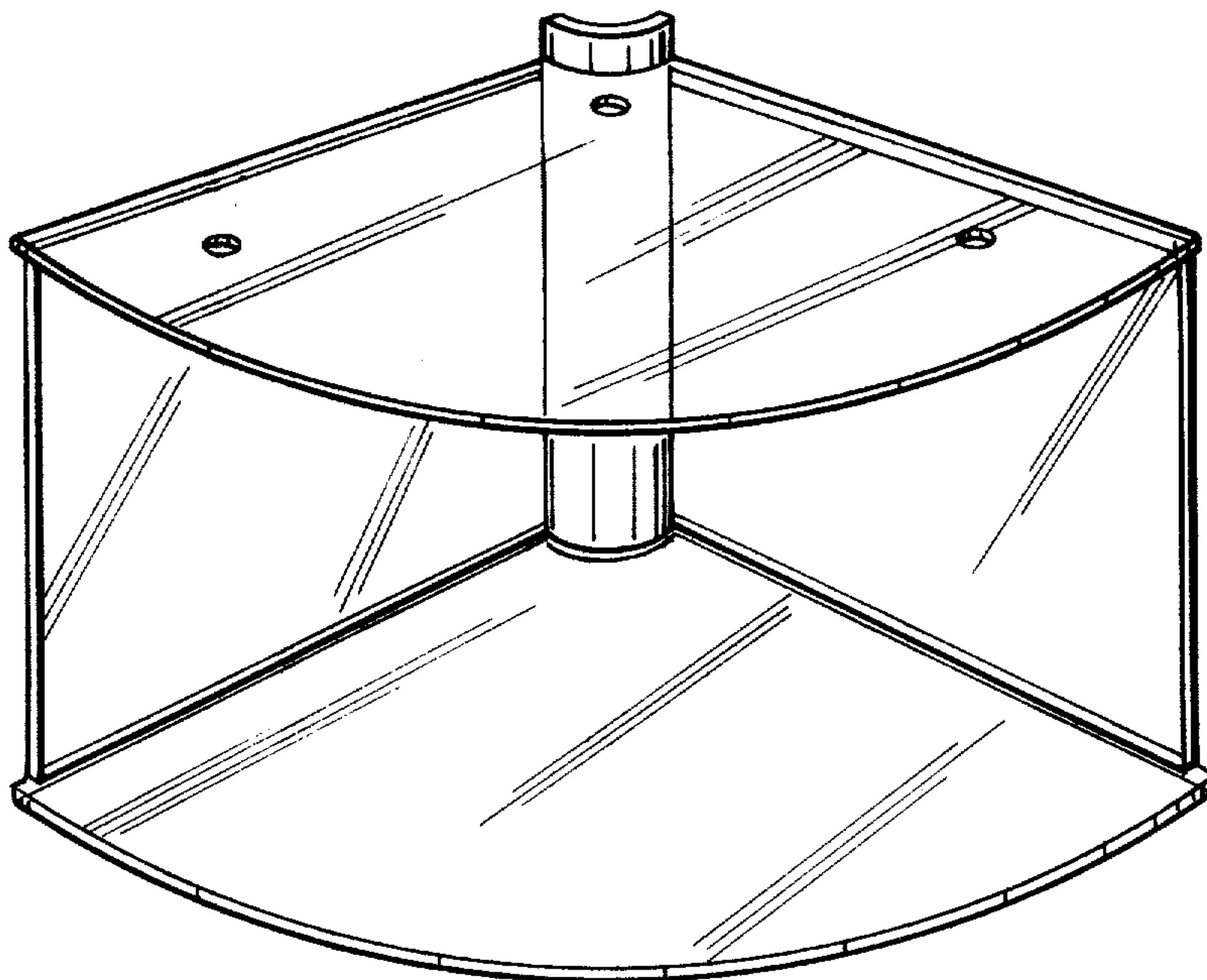


FIG. 4