

[54] TOWEL RACK

[75] Inventor: Bruce R. Thompson, Tranmere, Australia

[73] Assignee: UPL Group Limited, Brisbane, Australia

[**] Term: 14 Years

[21] Appl. No.: 123,557

[22] Filed: Feb. 22, 1980

[51] Int. Cl. D23-02

[52] U.S. Cl. D6/99

[58] Field of Search D6/86-104; 211/13, 16, 87, 105.1, 123, 124; D25/74

[56] References Cited

U.S. PATENT DOCUMENTS

- D. 157,015 1/1950 Wheeler D6/99
- D. 190,552 6/1961 Doucet D6/99
- D. 238,919 2/1976 Vrignaud D6/99

OTHER PUBLICATIONS

Sweet's Architectural Catalog File 1977, sec. 8.14/Ha, p. 8, Extrusion R.

Primary Examiner—B. J. Bullock
Attorney, Agent, or Firm—McDougall, Hersh & Scott

[57] CLAIM

The ornamental design for a towel rack, as shown.

DESCRIPTION

FIG. 1 is a perspective of a towel rack showing my new design;

FIG. 2 is a top view thereof;

FIG. 3 is a bottom view thereof;

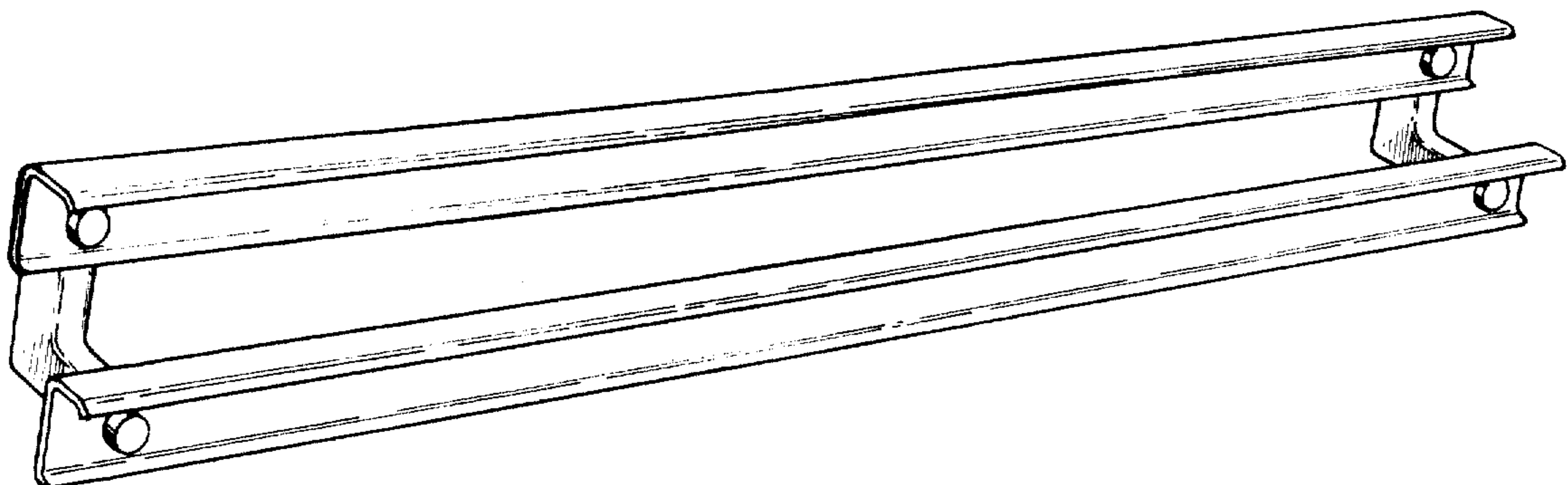
FIG. 4 is a front view thereof;

FIG. 5 is a rear view thereof;

FIG. 6 is an end view taken from the left of FIG. 1;

FIG. 7 is an end view taken from the right of FIG. 1; and

FIG. 8 is an enlarged sectional view taken in the direction of the arrows on line VIII—VIII of FIG. 5.



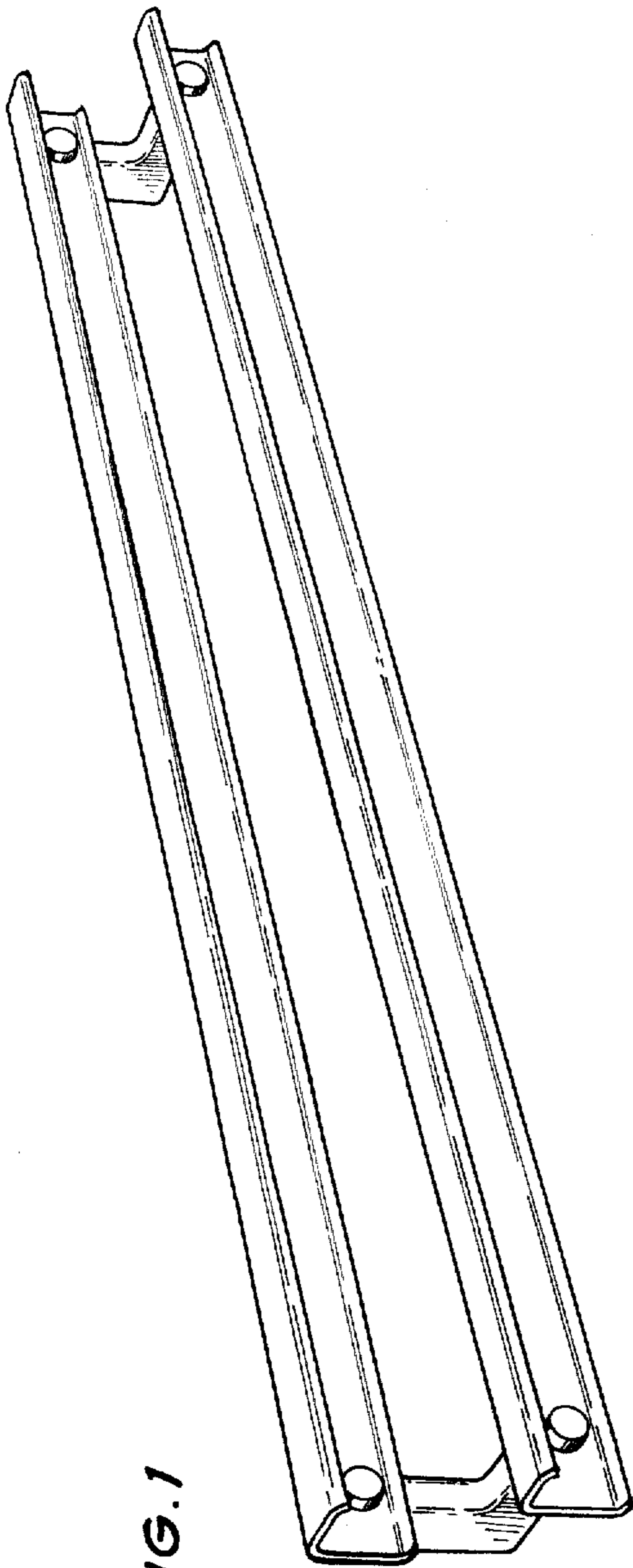


FIG. 1

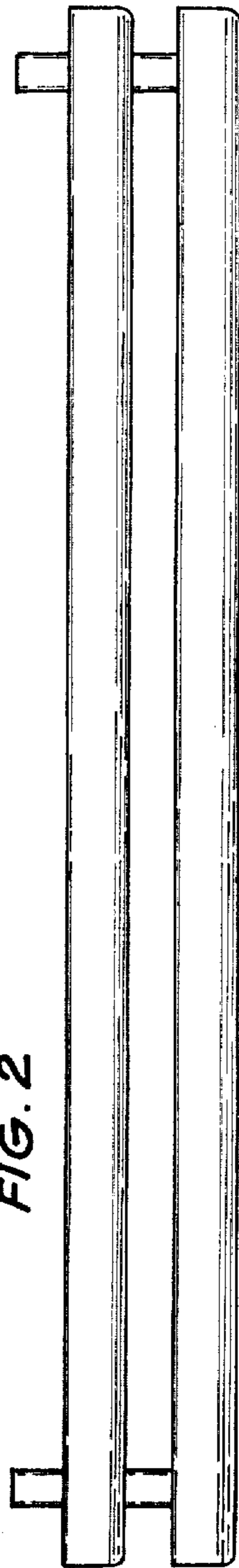


FIG. 2

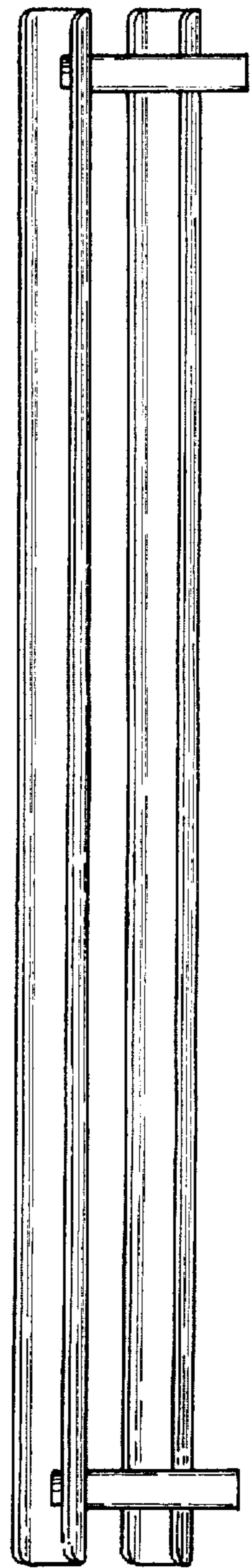


FIG. 3

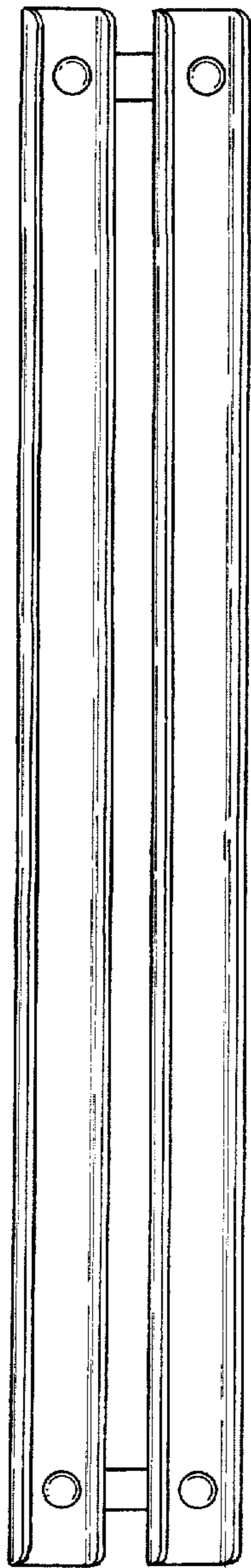


FIG. 4

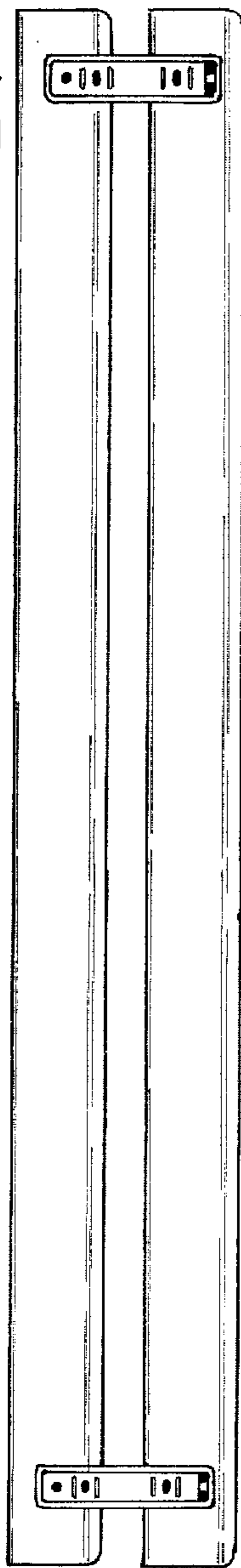


FIG. 5

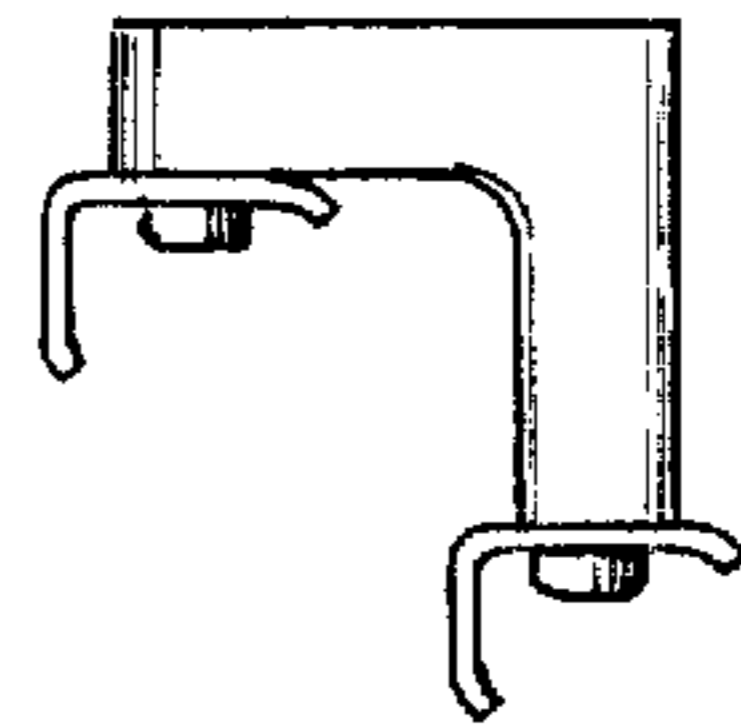


FIG. 7

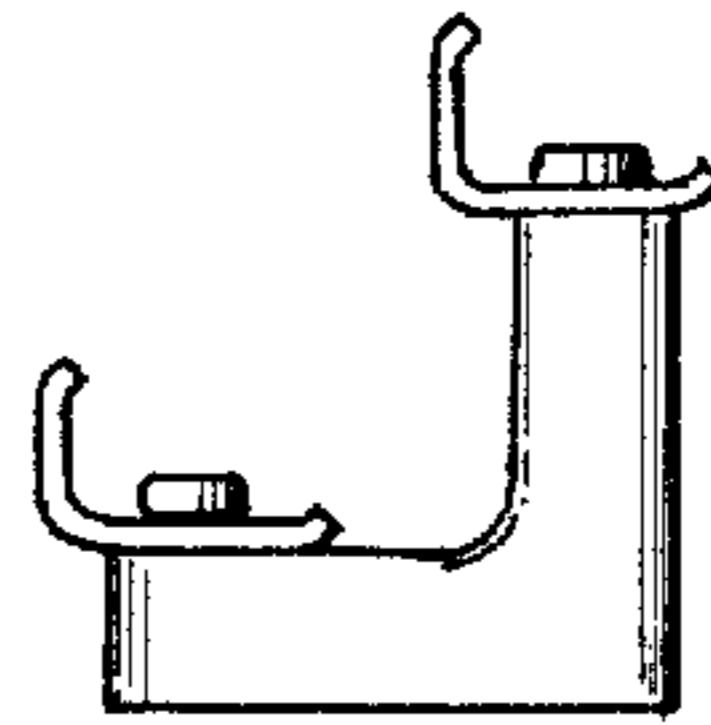


FIG. 6

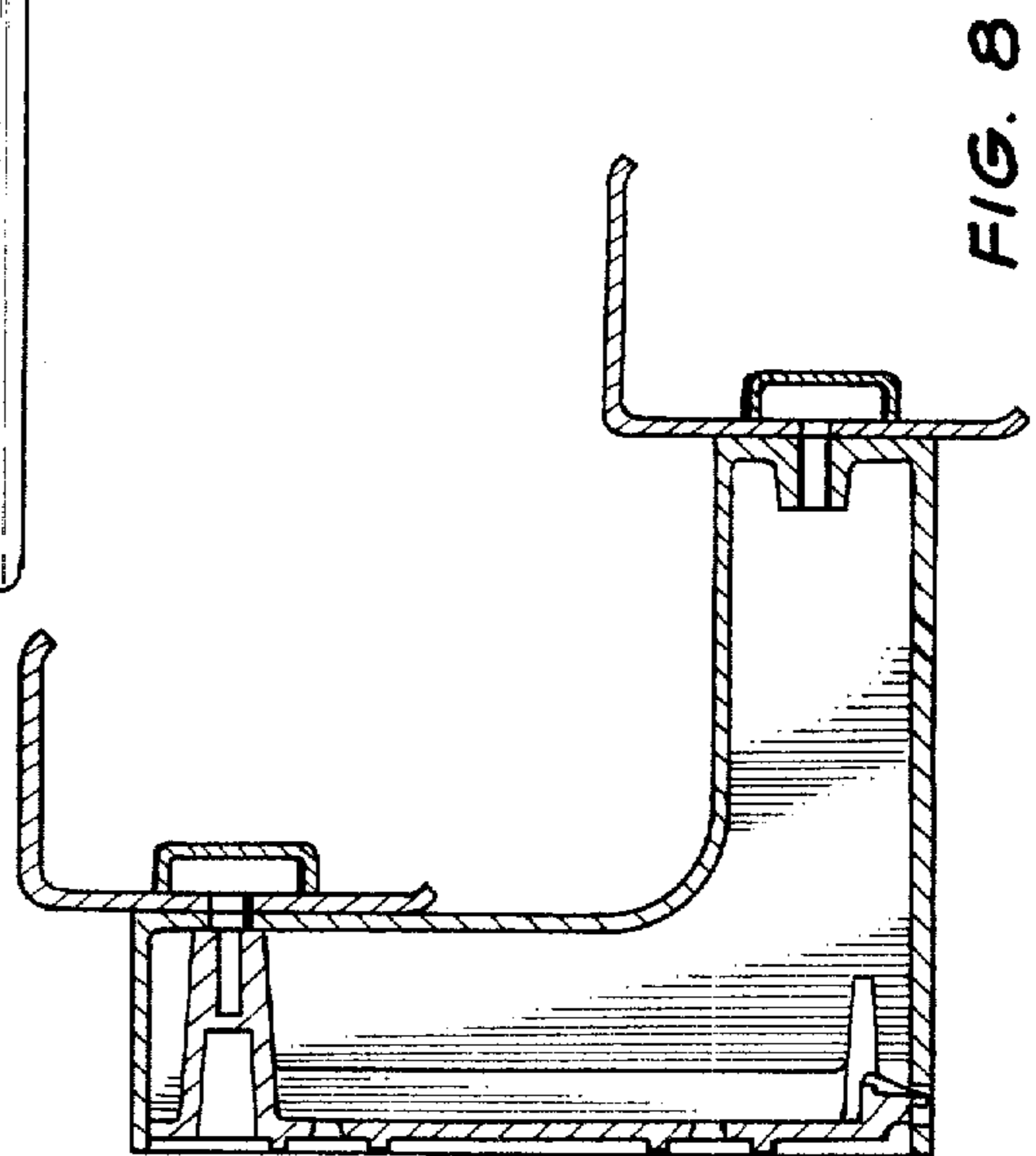


FIG. 8