

[54] **TOWEL RACK**

[75] Inventor: **Bruce R. Thompson**, Tranmere, Australia

[73] Assignee: **UPL Group Limited**, Brisbane, Australia

[\*\*] Term: **14 Years**

[21] Appl. No.: **121,235**

[22] Filed: **Feb. 13, 1980**

[51] Int. Cl. .... **D23-02**

[52] U.S. Cl. .... **D6/99**

[58] Field of Search ..... **D6/86-104;**  
211/13, 16, 87, 105.1, 123, 124

[56] **References Cited**

**U.S. PATENT DOCUMENTS**

D. 238,919 2/1976 Vrigrand ..... D6/99  
D. 254,461 3/1980 Tegner ..... D6/99

**OTHER PUBLICATIONS**

Sweet's Architectural Catalog File, 1969, sec. 25d/Car, p. 3, Towel Bar 8019.

*Primary Examiner*—B. J. Bullock  
*Attorney, Agent, or Firm*—McDougall, Hersh & Scott

[57] **CLAIM**

The ornamental design for a towel rack.

**DESCRIPTION**

FIG. 1 is an enlarged perspective view of a towel rack showing my new design;

FIG. 2 is a top view thereof;

FIG. 3 is a bottom view thereof;

FIG. 4 is a front view thereof;

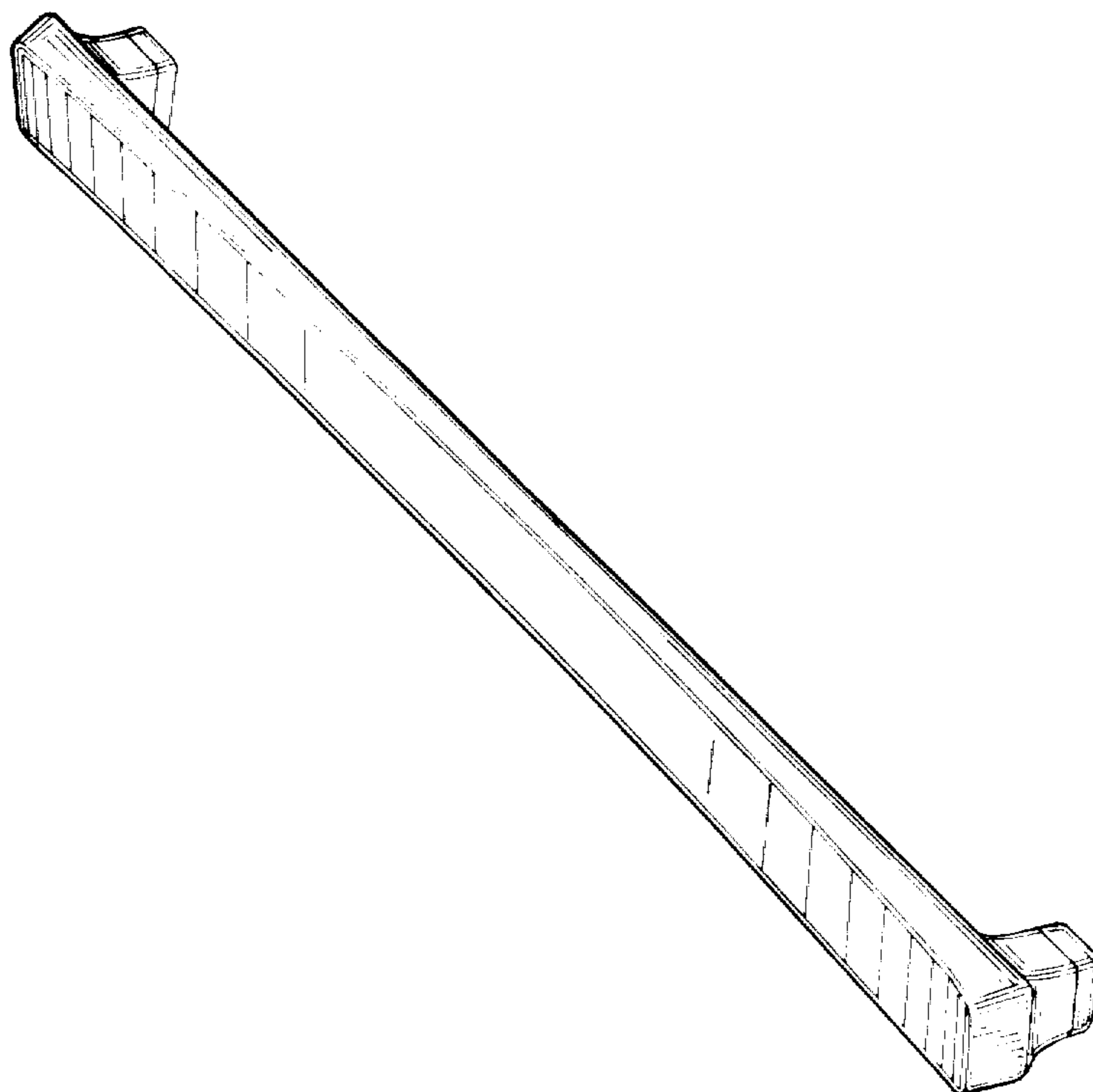
FIG. 5 is a rear view thereof;

FIG. 6 is an enlarged side elevational view taken from the left of FIG. 4, the side opposite being a mirror image thereof;

FIG. 7 is an enlarged sectional view taken in the direction of the arrows of line VII—VII of FIG. 5;

FIG. 8 is an enlarged sectional view taken on line VIII—VIII of FIG. 5; and

FIG. 9 is an enlarged sectional view taken along line IX—IX of FIG. 5.



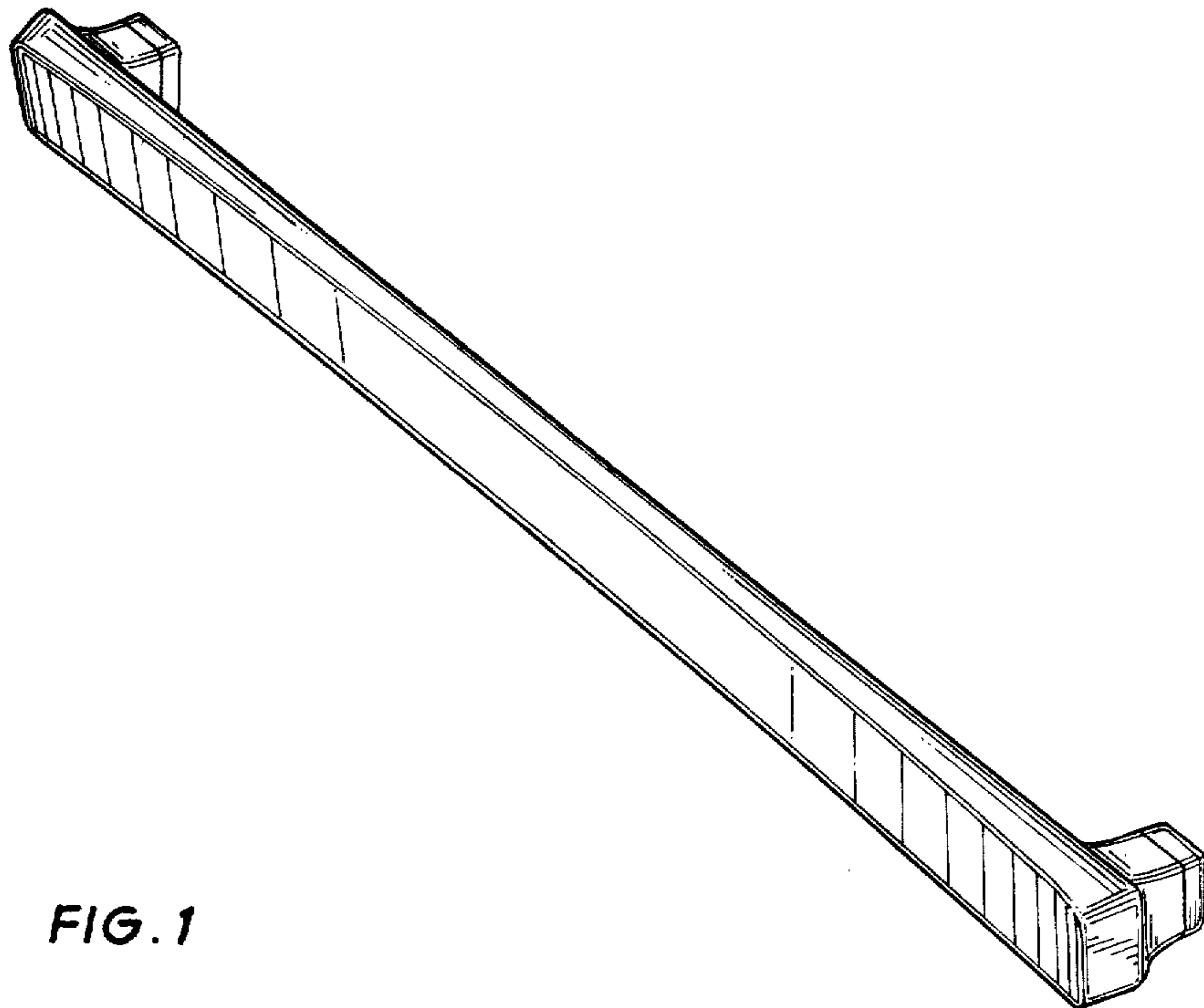


FIG. 1



FIG. 2

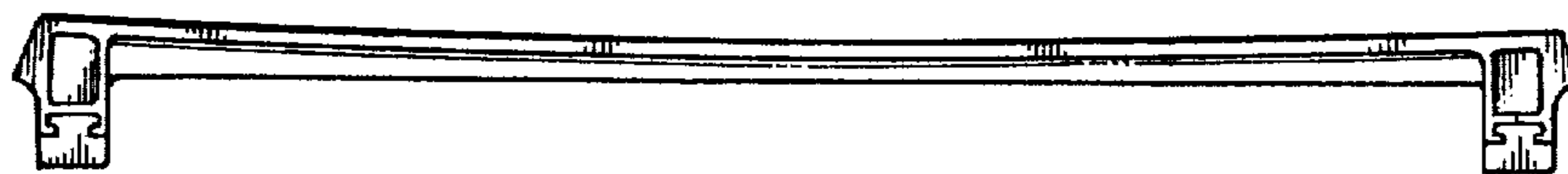


FIG. 3

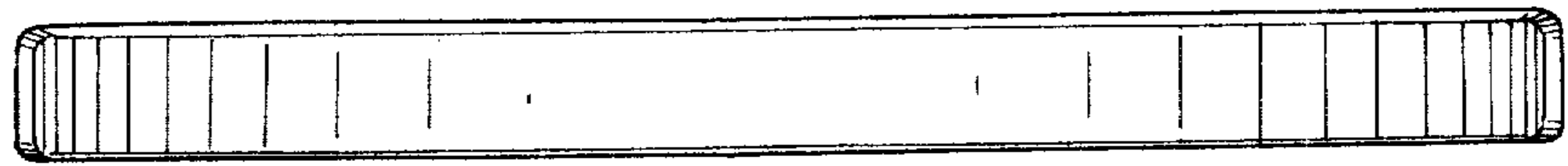


FIG. 4

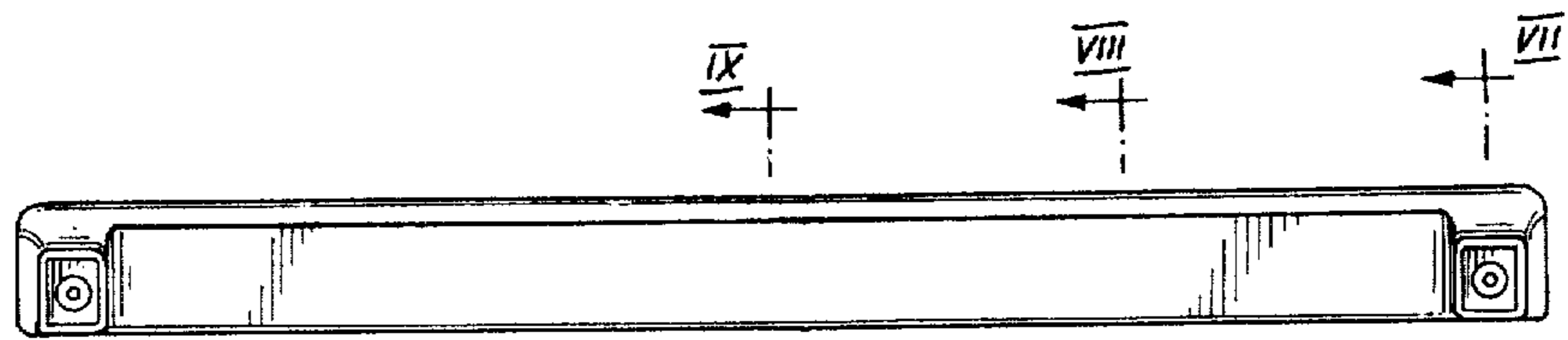


FIG. 5

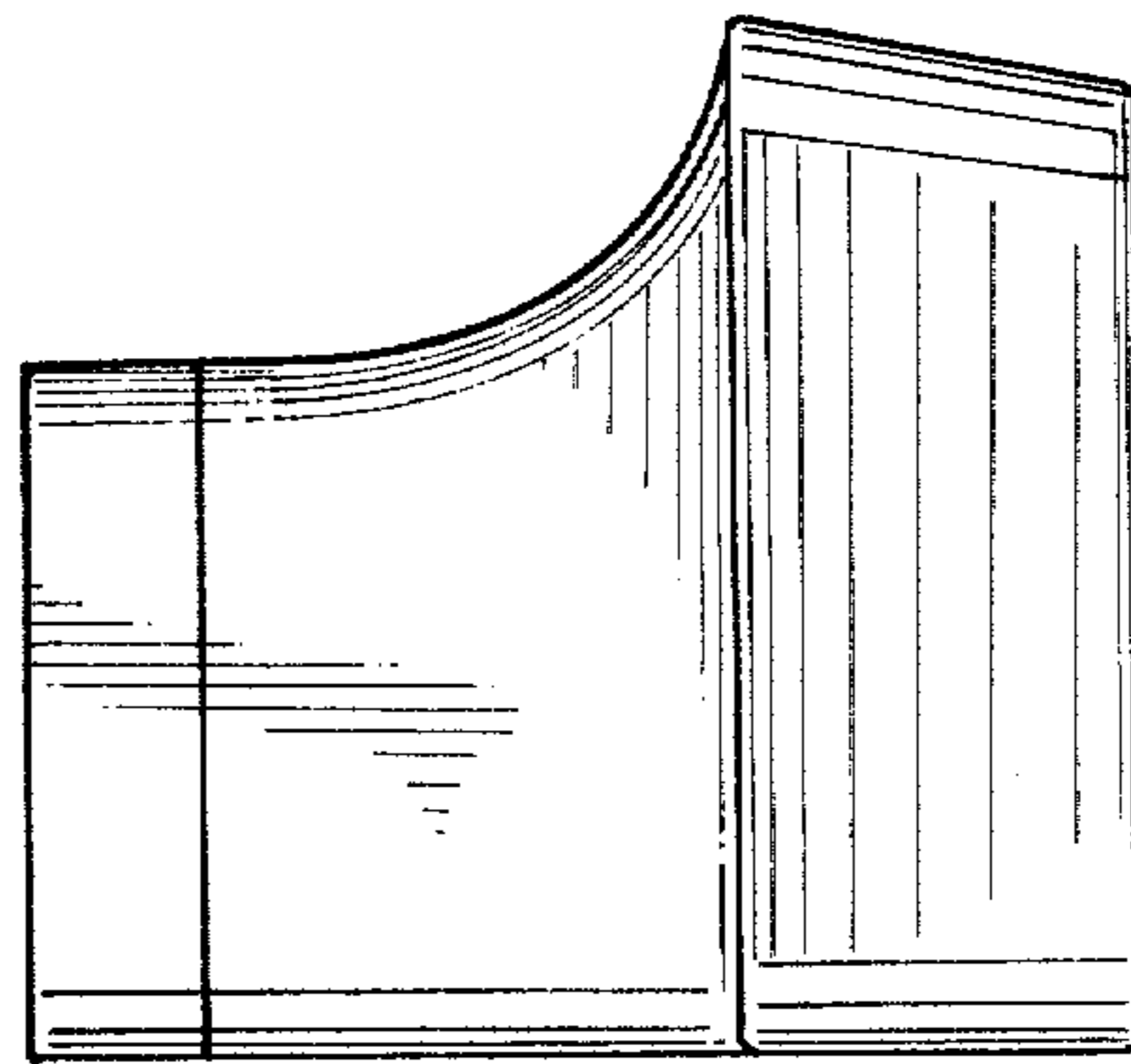


FIG. 6

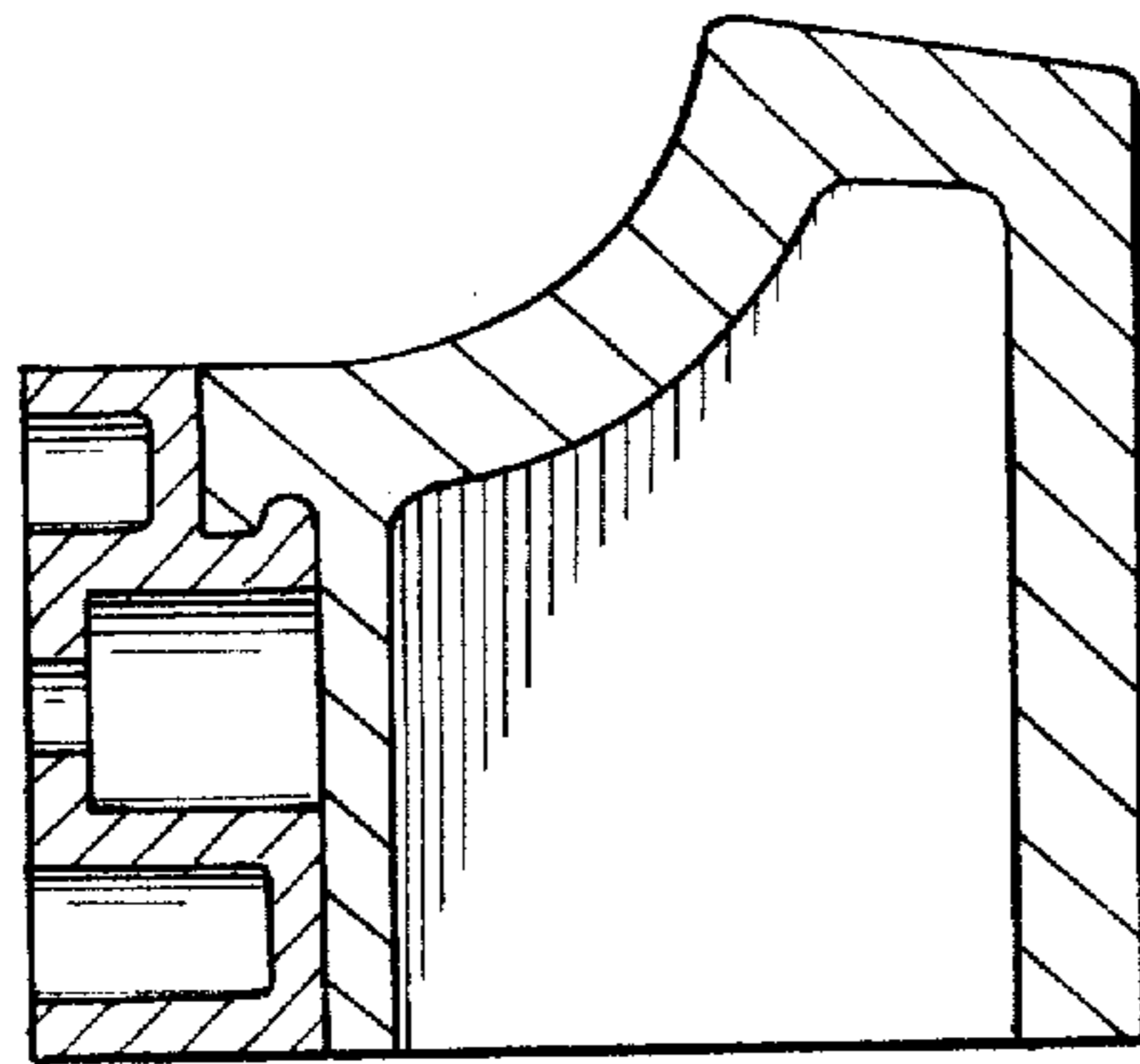


FIG. 7

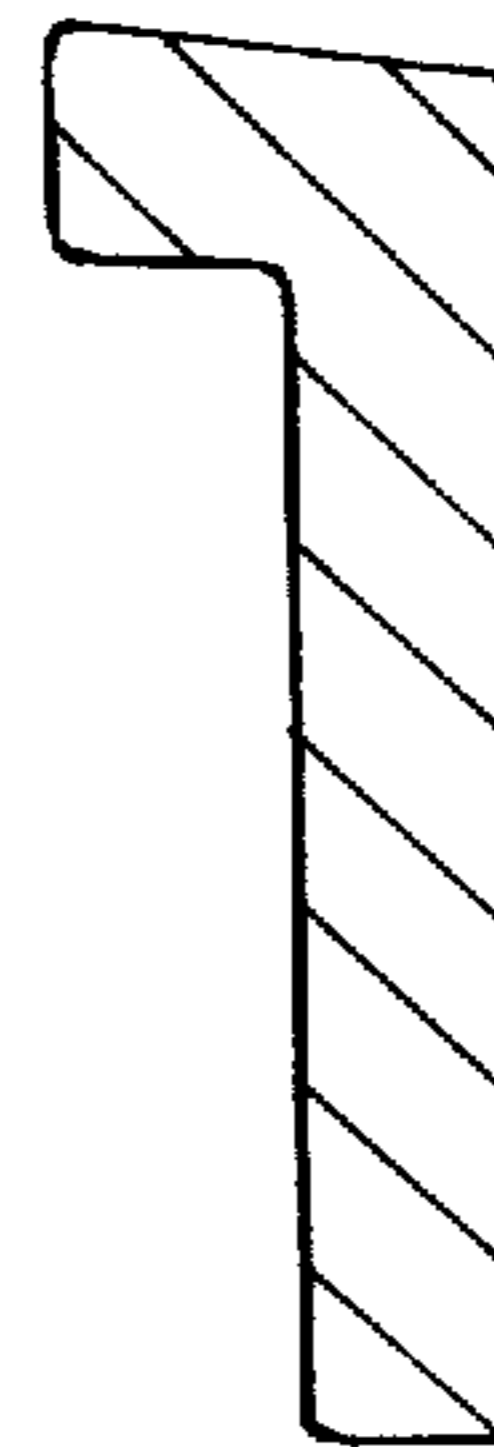


FIG. 8

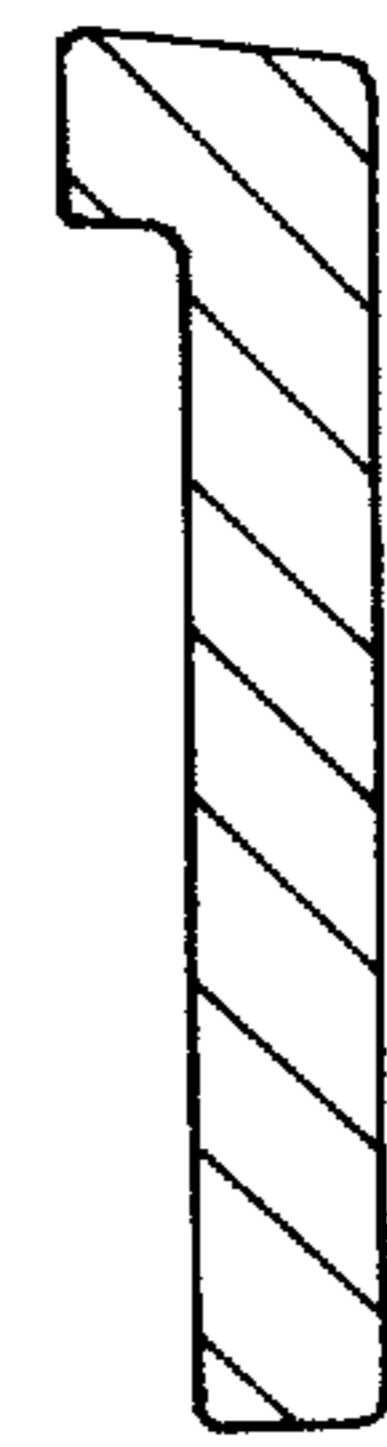


FIG. 9