

[54] **SLING CHAIR**

- [75] Inventor: **Donald J. Borichevsky, Wells, Vt.**
- [73] Assignee: **The Telescope Folding Furniture Co., Inc., Granville, N.Y.**
- [\*\*] Term: **14 Years**
- [21] Appl. No.: **48,835**
- [22] Filed: **Jun. 15, 1979**
- [51] Int. Cl. .... **D6-01**
- [52] U.S. Cl. .... **D6/41; D6/56; D6/66; D6/75**
- [58] Field of Search ..... **D6/47-78, D6/178; 297/16, 19, 24, 25, 31, 45, 47**

- [56] **References Cited**  
**U.S. PATENT DOCUMENTS**  
3,094,948 6/1963 Clow ..... **D6/178 X**

**OTHER PUBLICATIONS**

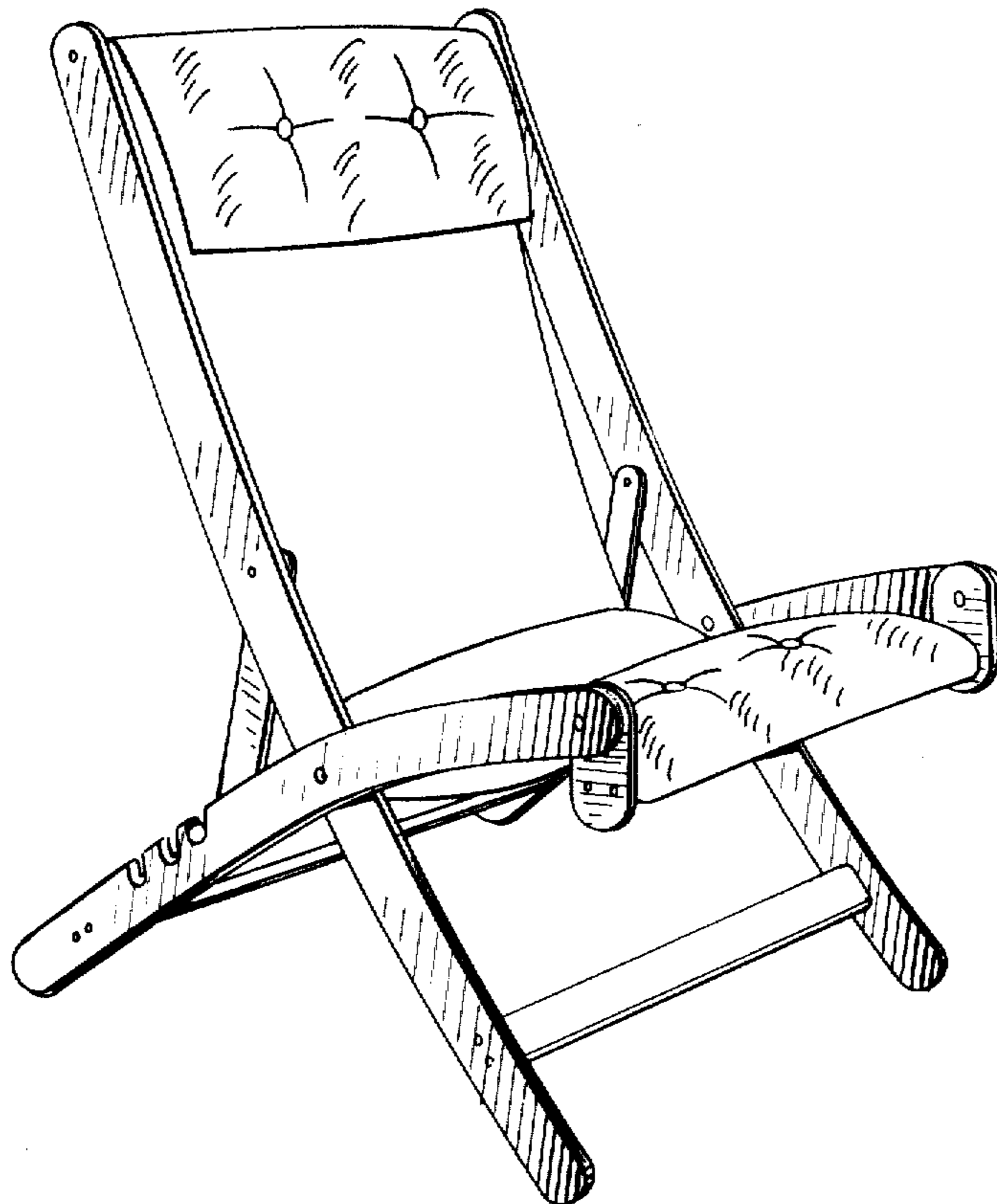
Design Cat., 9-1976, p. 24, Chair, right center by Fabiani.  
Design Cat., 2-1976, p. 30, Chair, lower left center by Westnofa.  
*Primary Examiner*—Bruce W. Dunkins  
*Attorney, Agent, or Firm*—Kenyon & Kenyon

[57] **CLAIM**

The ornamental design for a sling chair, as shown.

**DESCRIPTION**

FIG. 1 illustrates a front perspective view of a sling chair showing my new design;  
FIG. 2 illustrates a side view of the sling chair of FIG. 1;  
FIG. 3 illustrates a perspective rear view of the sling chair of FIG. 1; and  
FIG. 4 illustrates a top view of the sling chair of FIG. 1.



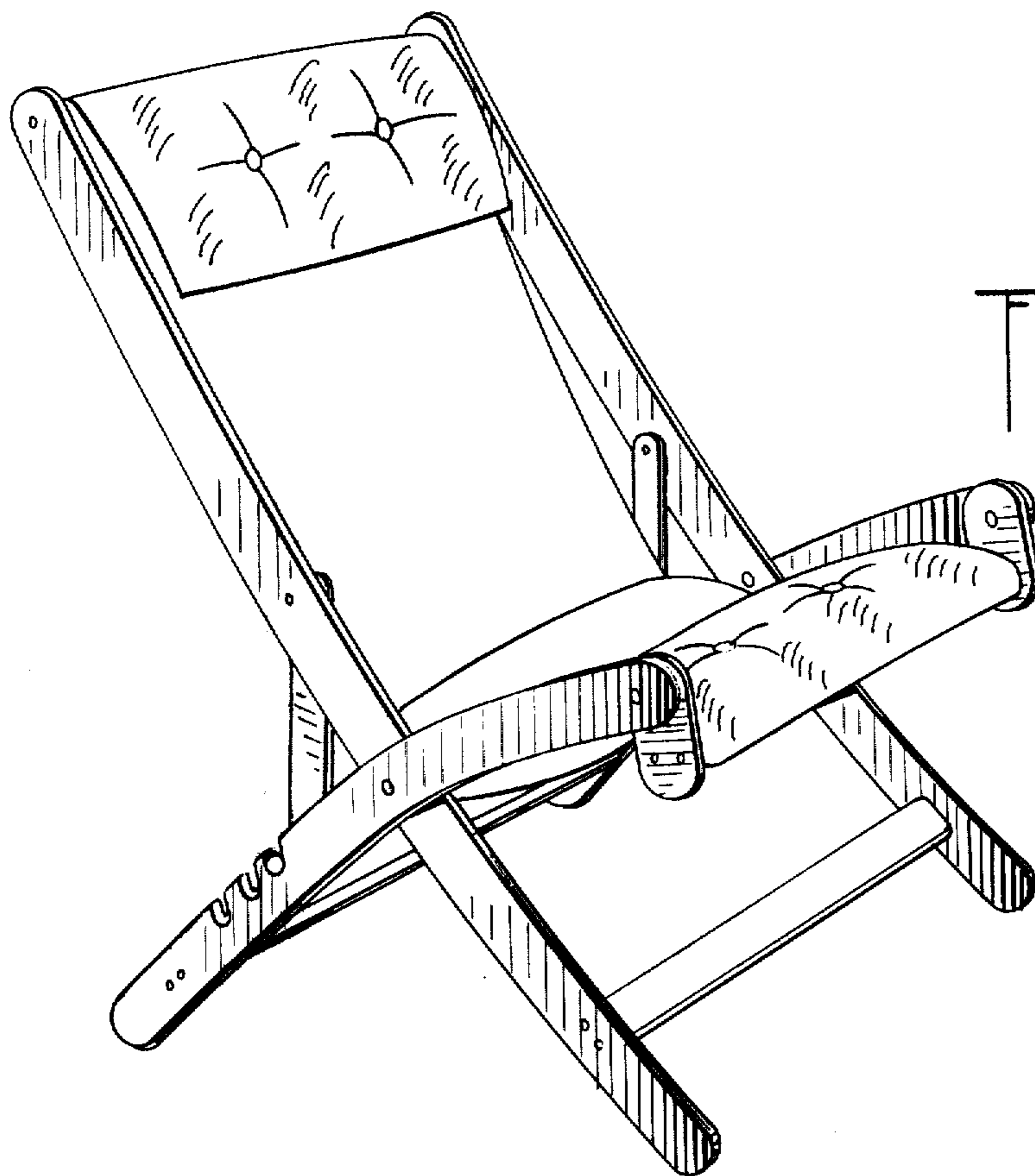


Fig. 1.

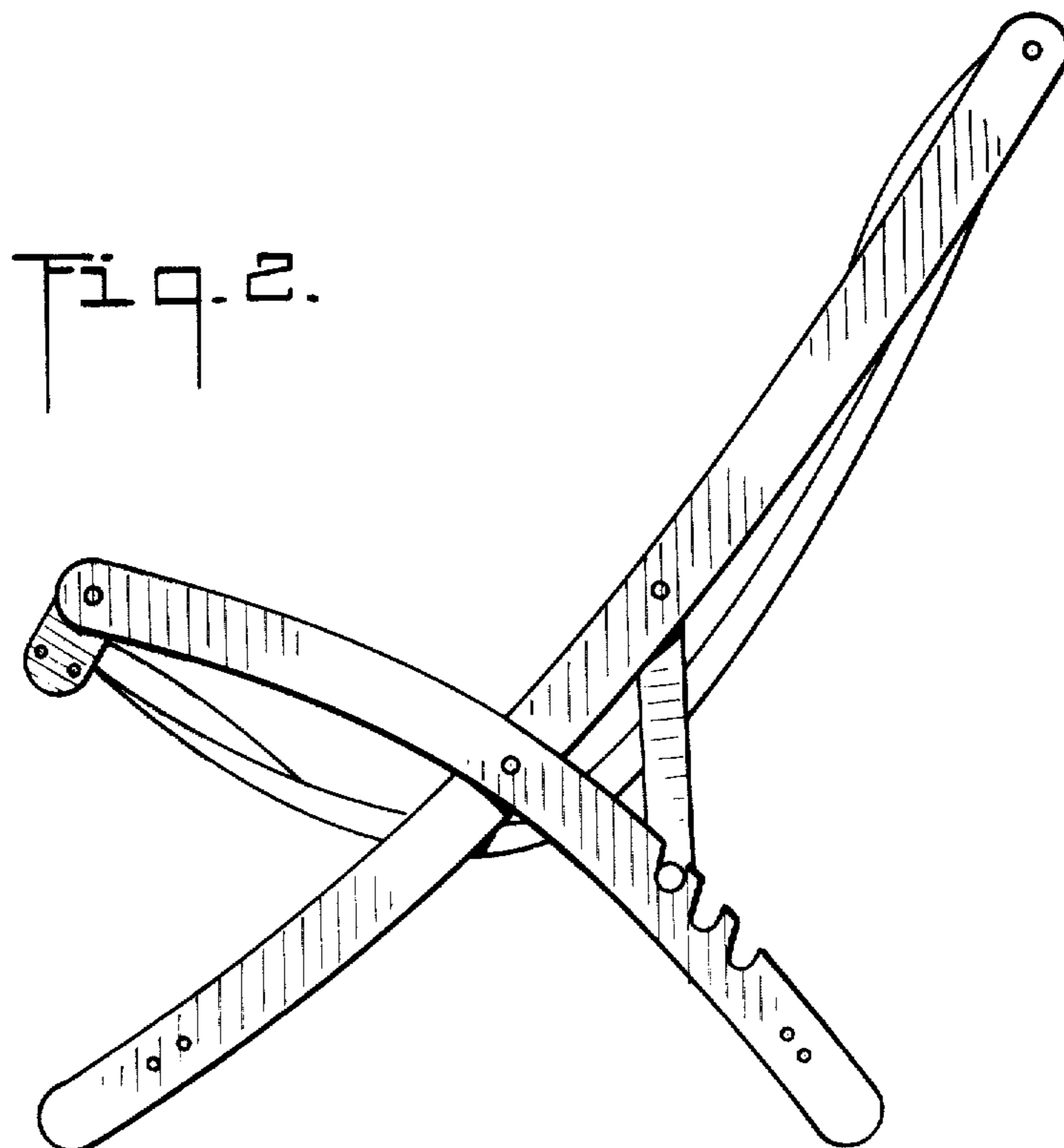


Fig. 2.

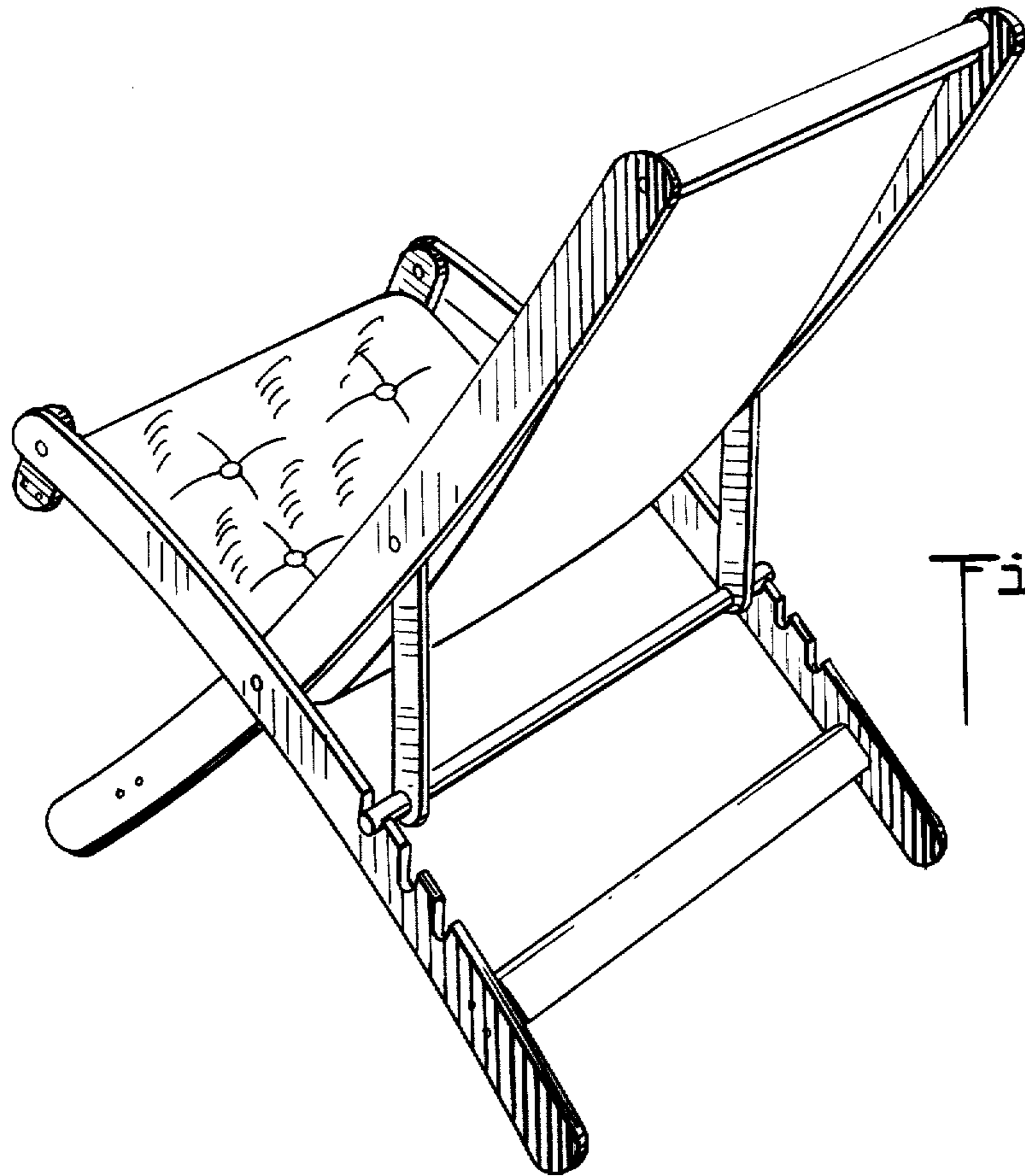


Fig. 3.

Fig. 4.

