

- [54] **PATIENT SUPPORTING HARNESS OR SIMILAR ARTICLE**
- [76] Inventor: **Rutger Nandorf**, S-593 00 Västervik, Sweden
- [\*\*] Term: **7 Years**
- [21] Appl. No.: **102,565**
- [22] Filed: **Dec. 11, 1979**
- [30] **Foreign Application Priority Data**  
Jun. 11, 1979 [SE] Sweden ..... 79-1437
- [51] Int. Cl. .... **D2-02; D2-07**
- [52] U.S. Cl. .... **D2/27; D2/381**
- [58] Field of Search ..... **D2/27, 280, 381; 128/134, DIG. 15; 2/DIG. 6**

- [56] **References Cited**
- U.S. PATENT DOCUMENTS**
- 2,486,114 10/1949 Cataldo ..... 128/134  
2,521,175 9/1950 Kruse ..... 128/134

2,619,958 12/1952 Day et al. .... 128/134

**OTHER PUBLICATIONS**

"P.N.R." Published 2-23-70, Everest & Jennings, Wheelchair Safety Belt which appeared in American Surgical Dealer, Chicago, Ill.  
Scovill Dritz Velcro® booklet, pages titled "Velcro Tapes are Smart", item #1, Adjustable Belts & Accessories, Belt.

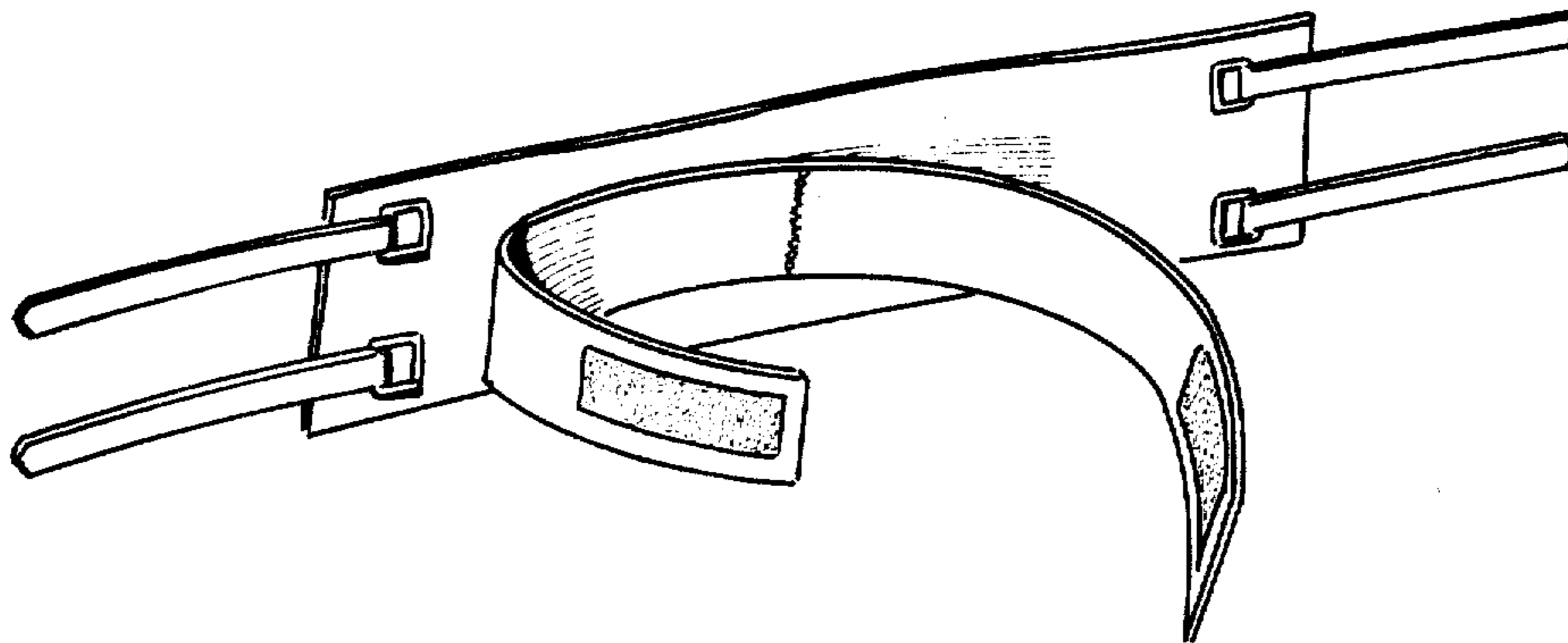
*Primary Examiner*—Jane E. Corrigan  
*Attorney, Agent, or Firm*—Witherspoon & Hargest

[57] **CLAIM**

The ornamental design for a patient supporting harness or similar article, as shown and described.

**DESCRIPTION**

FIG. 1 is a front and bottom perspective view of a patient supporting harness or similar article showing my new design;  
FIG. 2 is a front and top perspective view; and  
FIG. 3 is a rear perspective view.



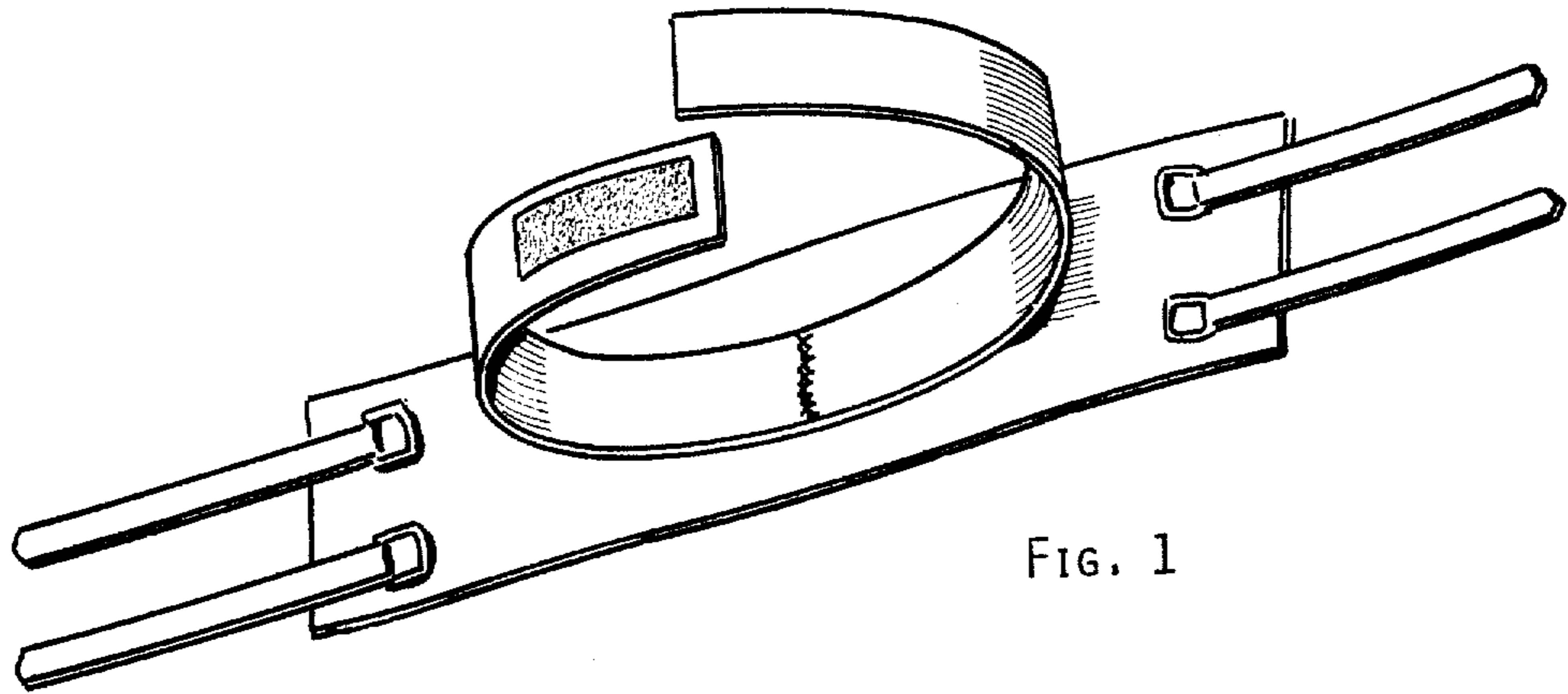


FIG. 1

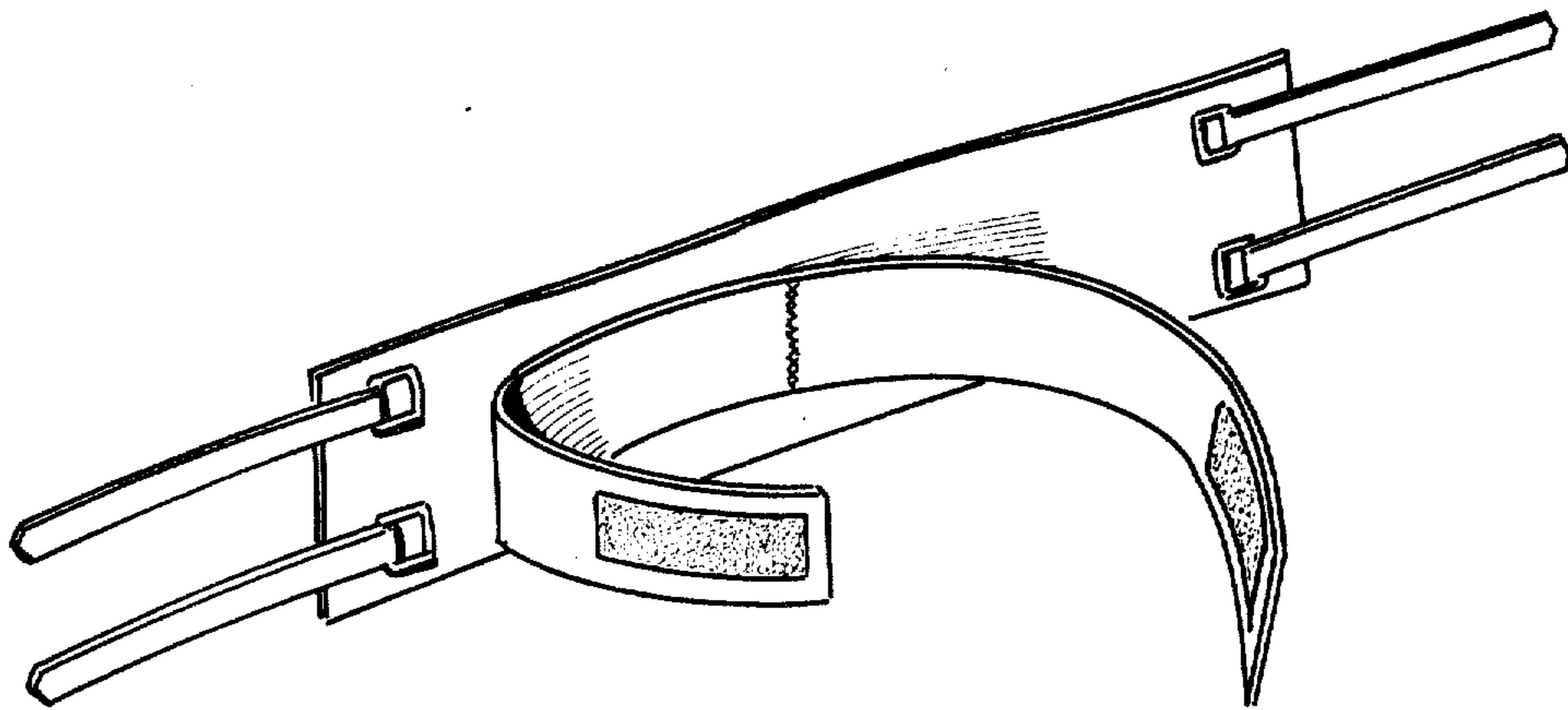


FIG. 2

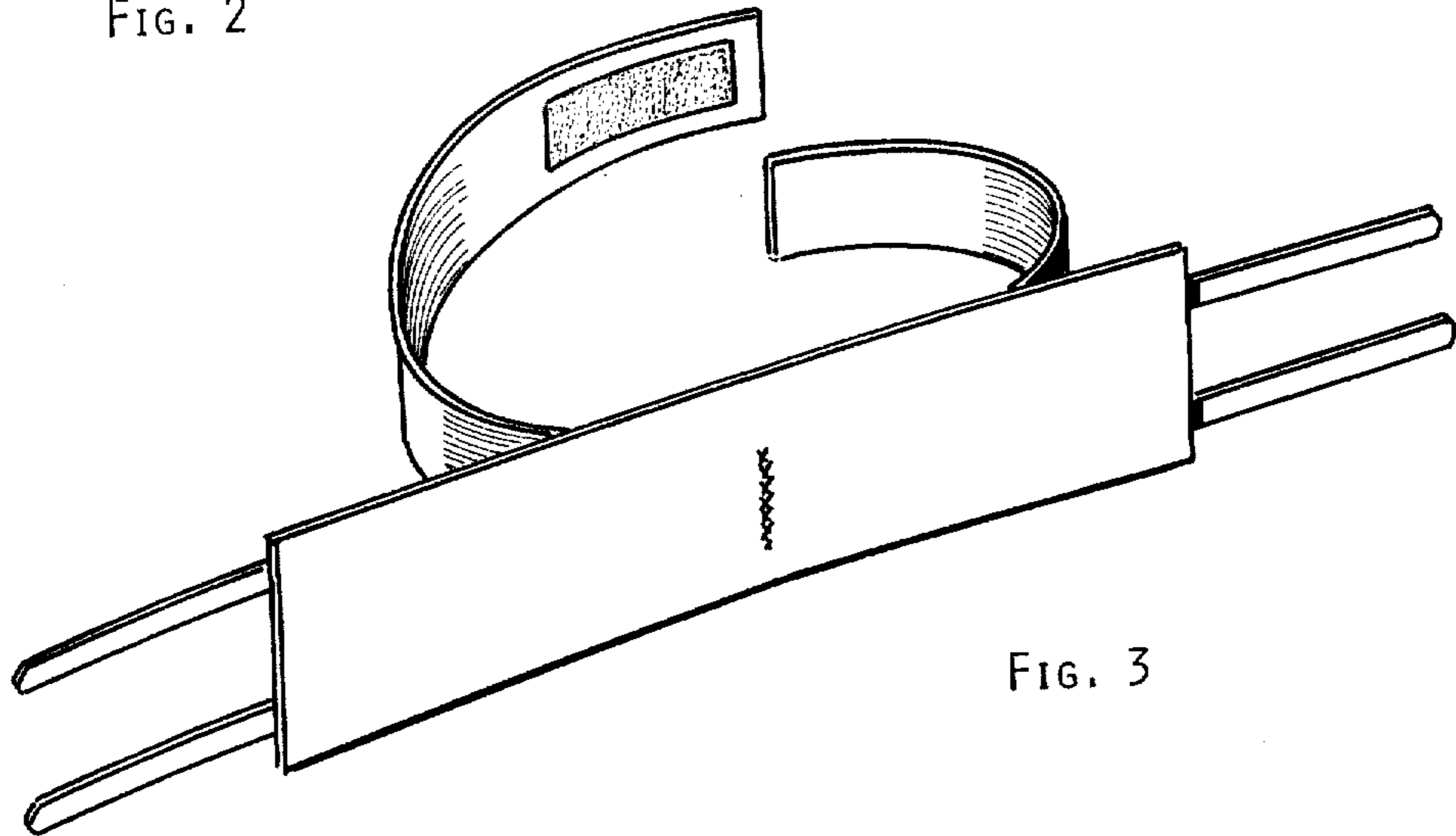


FIG. 3