

[54] ANIMAL SAFETY HARNESS FOR AUTOMOBILES OR THE LIKE

[76] Inventor: John C. Bassani, 8960 Gullo Ave., Arleta, Calif. 91331

[\*\*] Term: 14 Years

[21] Appl. No.: 91,350

[22] Filed: Nov. 5, 1979

[51] Int. Cl. .... D30-04

[52] U.S. Cl. .... D30/38

[58] Field of Search ..... D30/38, 39; 119/96, 119/109

[56] References Cited U.S. PATENT DOCUMENTS

D. 135,752 6/1943 Curtis ..... D30/38

D. 242,727 12/1976 Torres ..... D30/38
2,026,383 12/1935 Gyulay ..... 119/96
2,219,569 10/1940 Vanderhoof ..... 119/96
2,555,027 5/1951 Clayton ..... 119/96
2,826,172 3/1958 Buckle et al. .... 119/109 X
2,909,154 10/1959 Thomas ..... 119/109
3,310,034 3/1967 Dishant ..... 119/96
3,948,222 4/1976 Longshore et al. .... D30/38 X

Primary Examiner—James R. Largen
Attorney, Agent, or Firm—Roger A. Marrs

[57] CLAIM

The ornamental design for an animal safety harness for automobiles or the like, substantially as shown.

DESCRIPTION

FIG. 1 is a perspective view of an animal safety harness for automobiles or the like showing my new design; and FIG. 2 is a top plan view thereof.

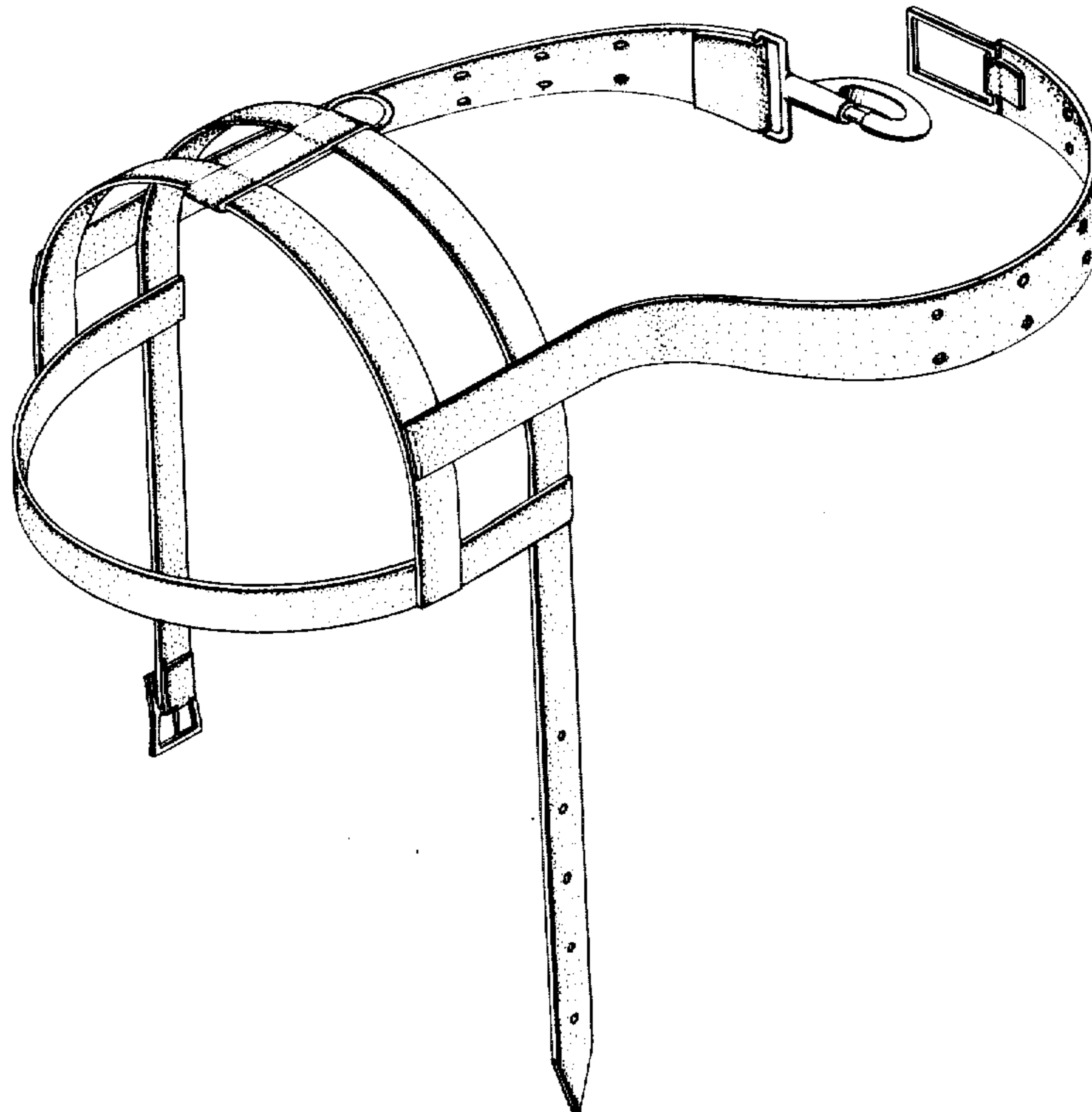


FIG. 1

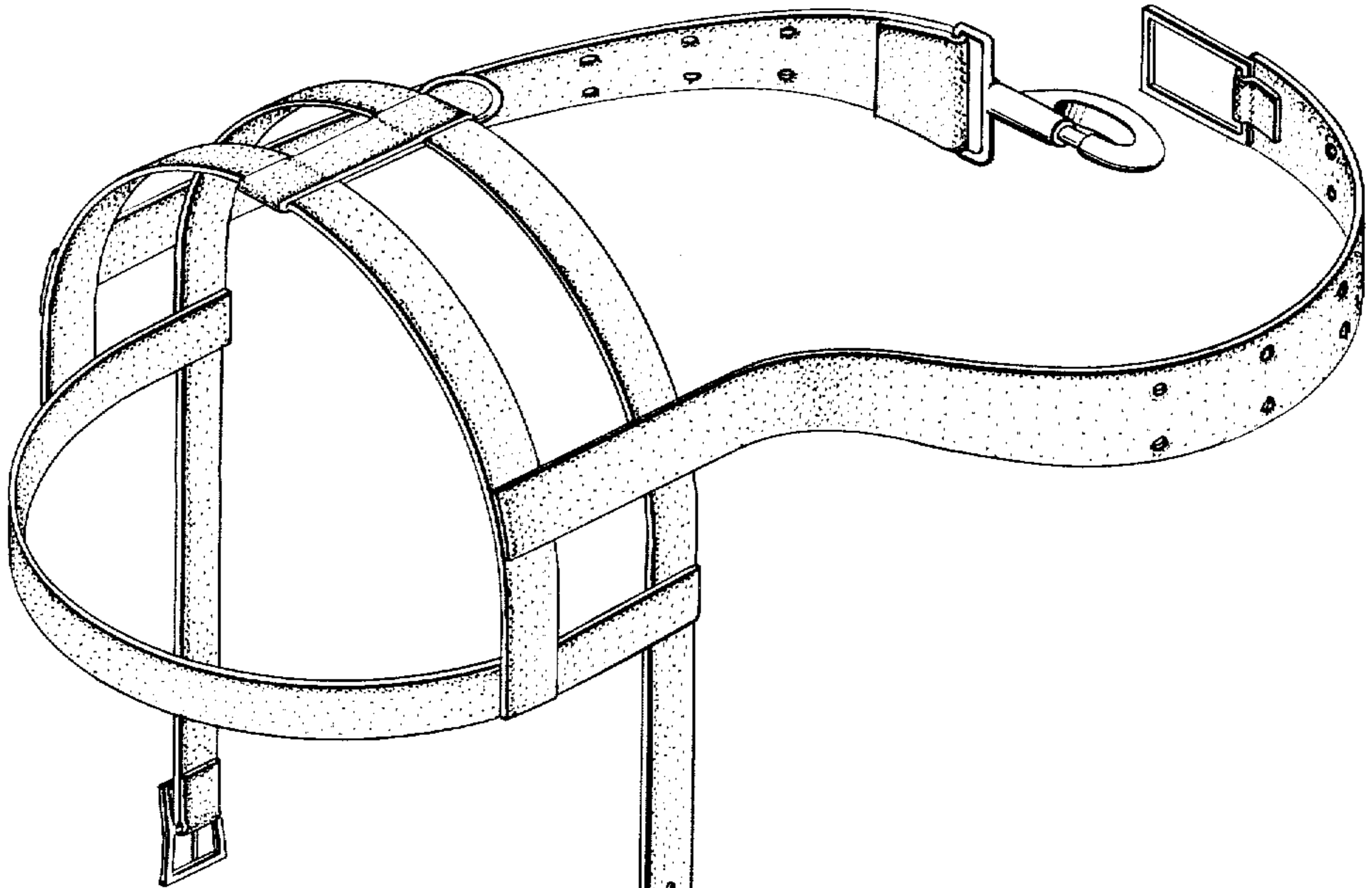


FIG. 2

