

[54] MAKE-UP BOX

[76] Inventor: Pierre Ballereaud, 4 bis, route d'Ormoy, 28360 Dammarie, France

[\*\*] Term: 14 Years

[21] Appl. No.: 163,424

[22] Filed: Jun. 27, 1980

[30] Foreign Application Priority Data

Dec. 31, 1979 [FR] France ..... 69764

[51] Int. Cl. .... D28-03

[52] U.S. Cl. .... D28/83

[58] Field of Search ..... D3/39; D9/420-423; D28/9, 73, 76-84, 91, 99; 132/1 R, 79 R, 79 A, 79 D, 79 F, 79 G, 82 R, 82 C, 82 D, 182 E, 82 F; 220/337, 338, 342, 343, 380; 206/37, 38, 235, 248, 528, 540, 581, 823

[56] References Cited

U.S. PATENT DOCUMENTS

- D. 130,221 11/1941 Bermond ..... D28/83
- D. 138,031 6/1944 Root ..... D28/83
- 2,278,866 4/1942 Dell'elba ..... D28/83 X

Primary Examiner—Leland A. Sebastian  
Attorney, Agent, or Firm—Charles E. Baxley

[57] CLAIM

The ornamental design for a make-up box, as shown and described.

DESCRIPTION

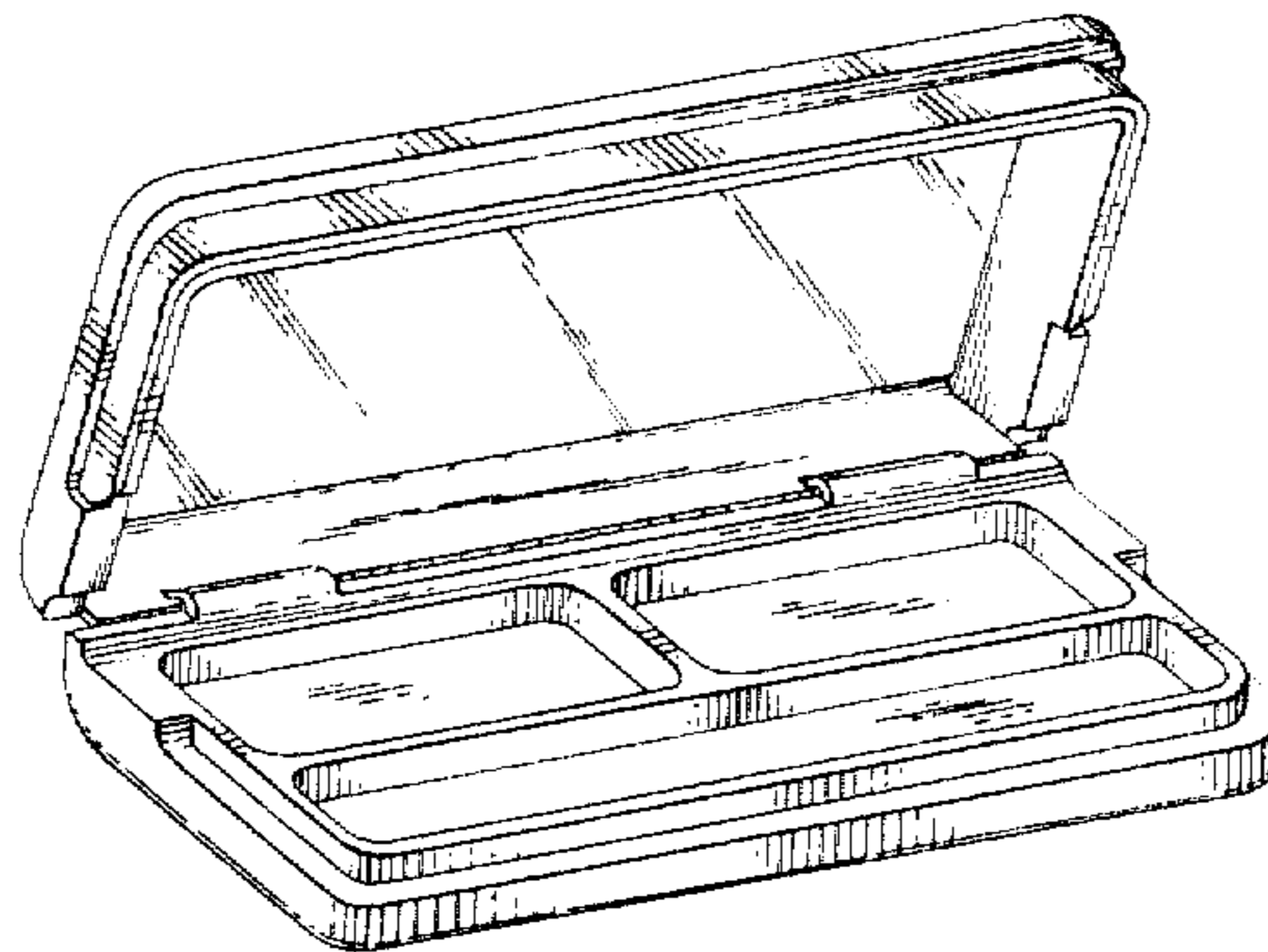
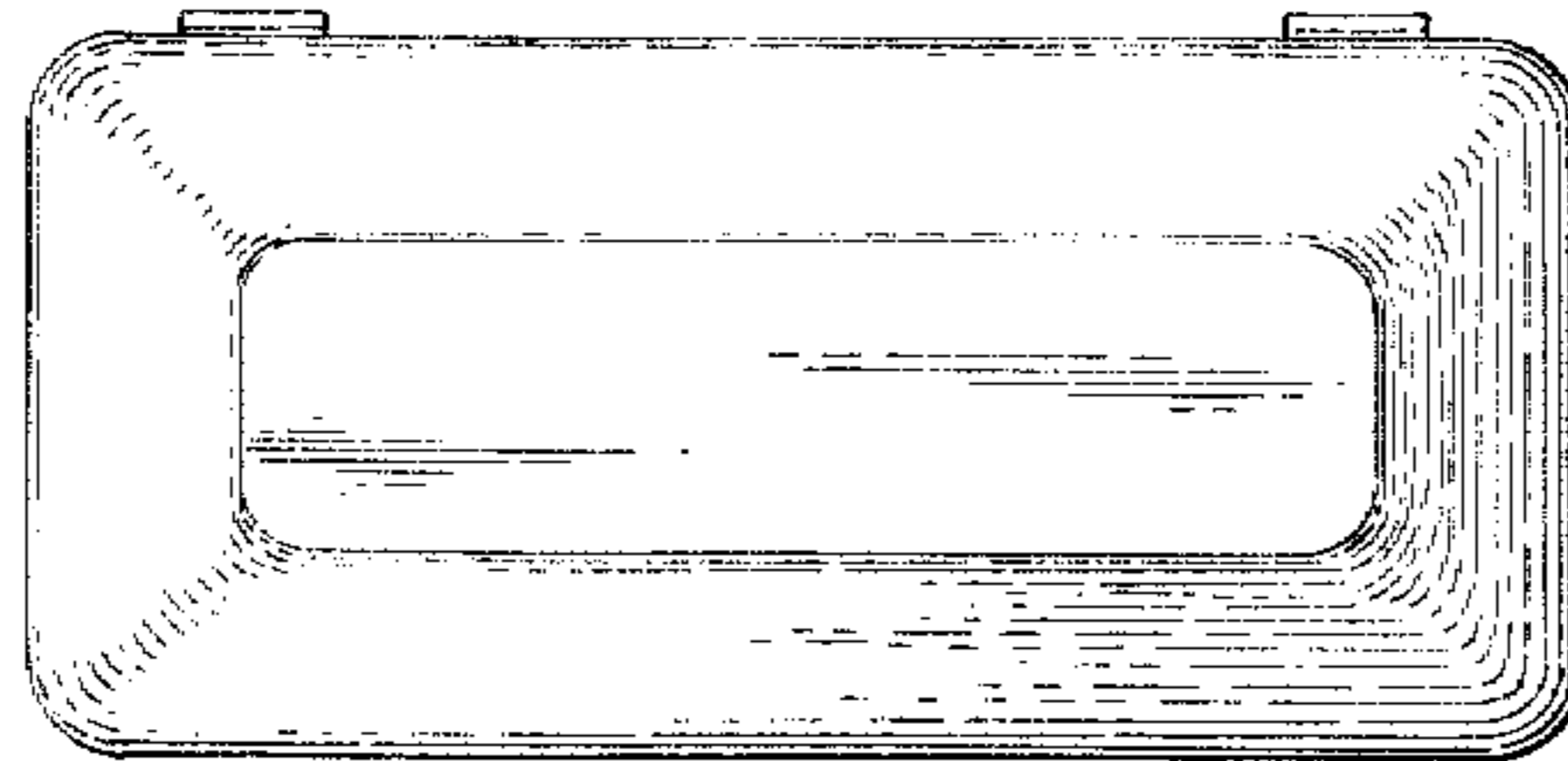
FIG. 1 is a top plan view of a make-up box showing my new design, the bottom plan view being a mirror image thereof;

FIG. 2 is a front elevational view thereof;

FIG. 3 is a rear elevational view thereof;

FIG. 4 is a left side elevational view, the right side being a mirror image thereof;

FIG. 5 a perspective view thereof in the open position.



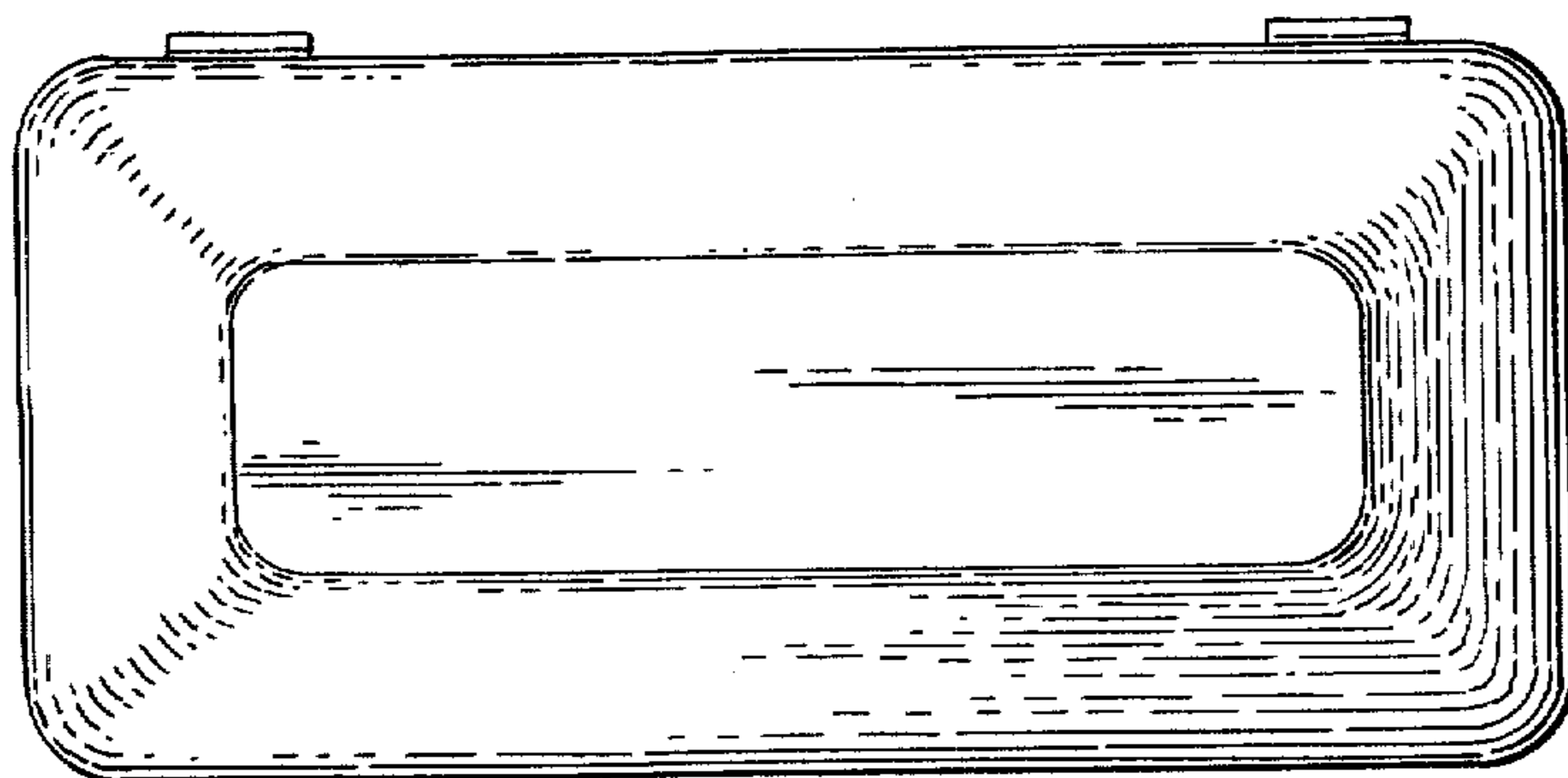


FIG. 1

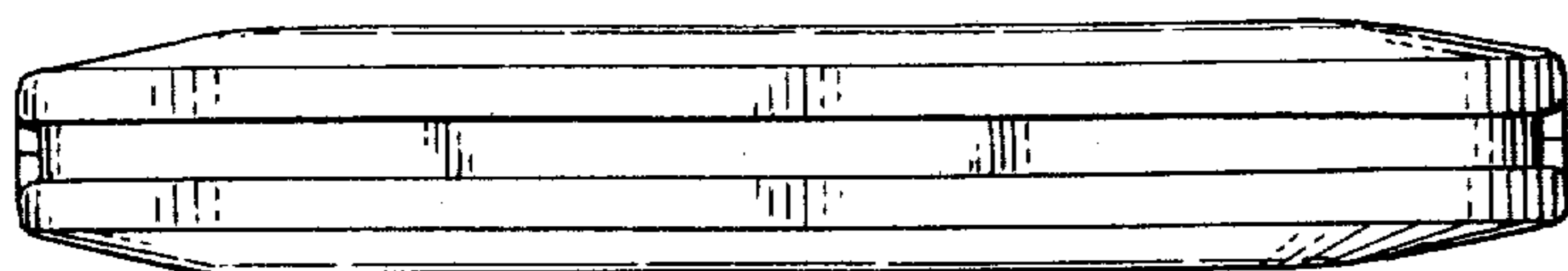


FIG. 2

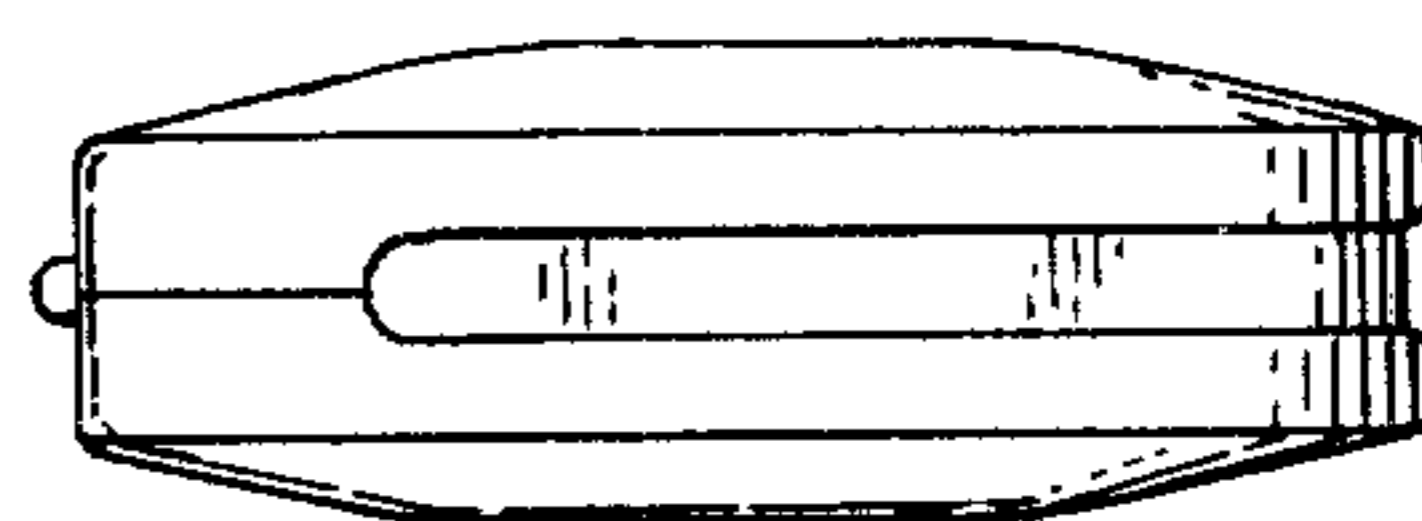


FIG. 4

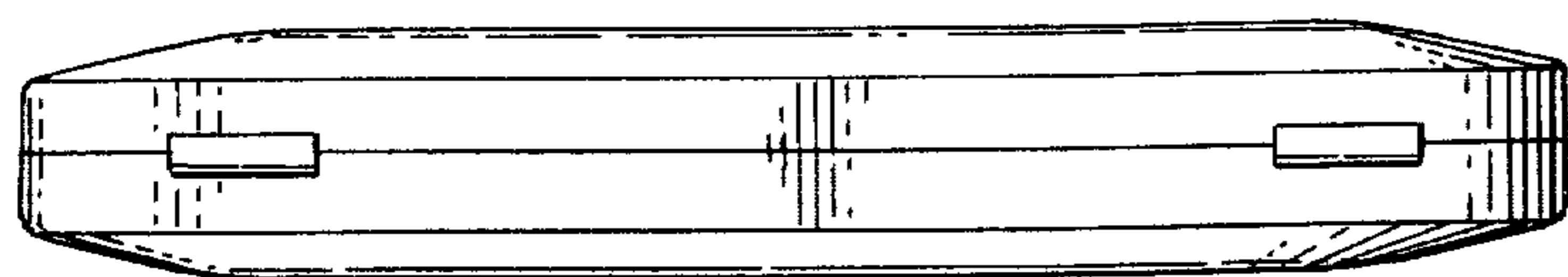


FIG. 3

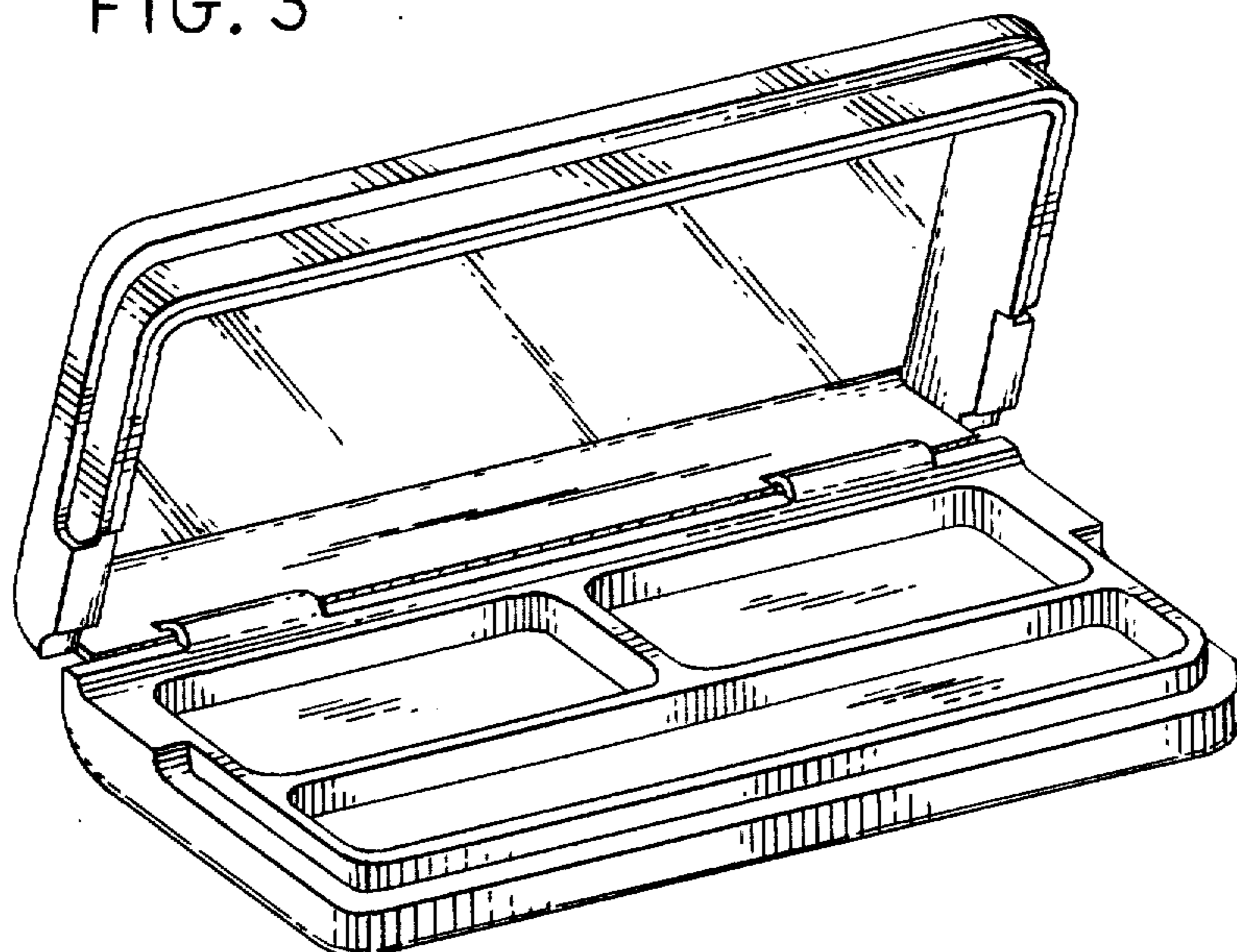


FIG. 5