

[54] PIPE RACK

D. 236,523 8/1975 Reiling et al. D21/129

[76] Inventors: Theodore O. Barberry, Jr.; Susan J. Barberry, both of 4900 Wetherdsville Rd., Baltimore, Md. 21207

[**] Term: 14 Years

[21] Appl. No.: 20,723

[22] Filed: Mar. 15, 1979

[51] Int. Cl. D27-99

[52] U.S. Cl. D27/25; D21/129

[58] Field of Search D27/2, 6, 22, 25; D21/128, 129; 131/240 R, 241

[56] References Cited

U.S. PATENT DOCUMENTS

- D. 39,558 9/1908 Elkin D27/6
- D. 79,822 11/1929 Larrabee D27/16 X

OTHER PUBLICATIONS

Tree Top Toy Catalog, p. 12 Toy Train.

Primary Examiner—Catherine E. Kemper

[57] CLAIM

The ornamental design for a pipe rack, as shown and described.

DESCRIPTION

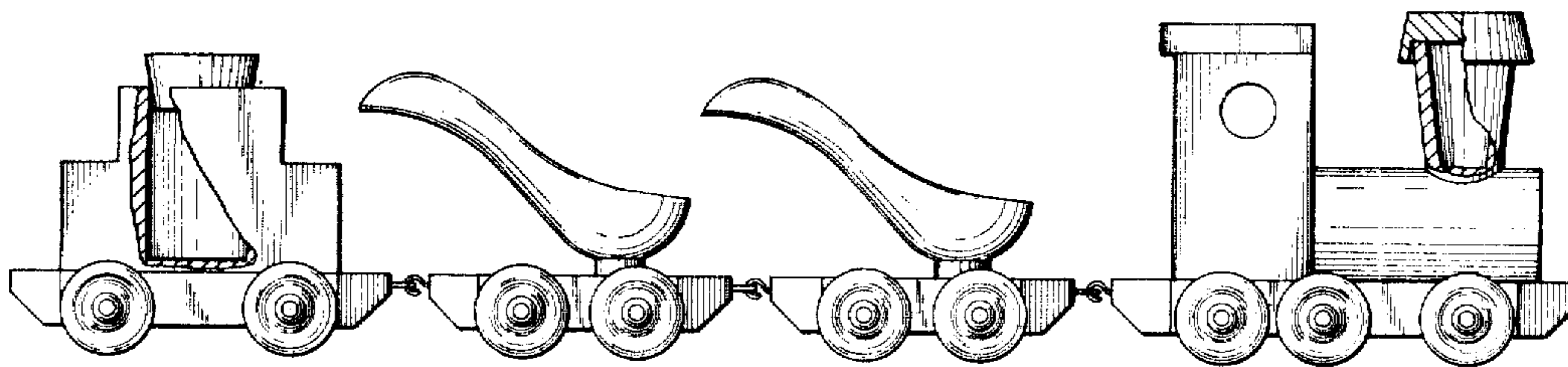
FIG. 1 is a side elevational view of a pipe rack showing our new design the side opposite that shown being identical;

FIG. 2 is a top plan view thereof;

FIG. 3 is a front elevational view thereof;

FIG. 4 is a rear plan view thereof;

The cigarette extinguishers are shown partially in cross-section in FIG. 1 for completeness of disclosure.



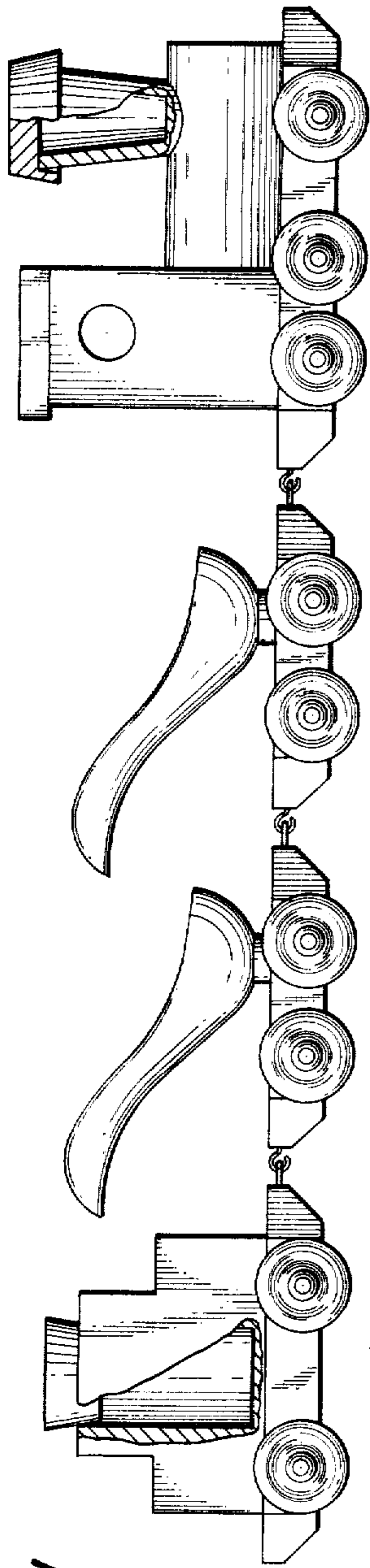


Fig. 1

Fig. 2

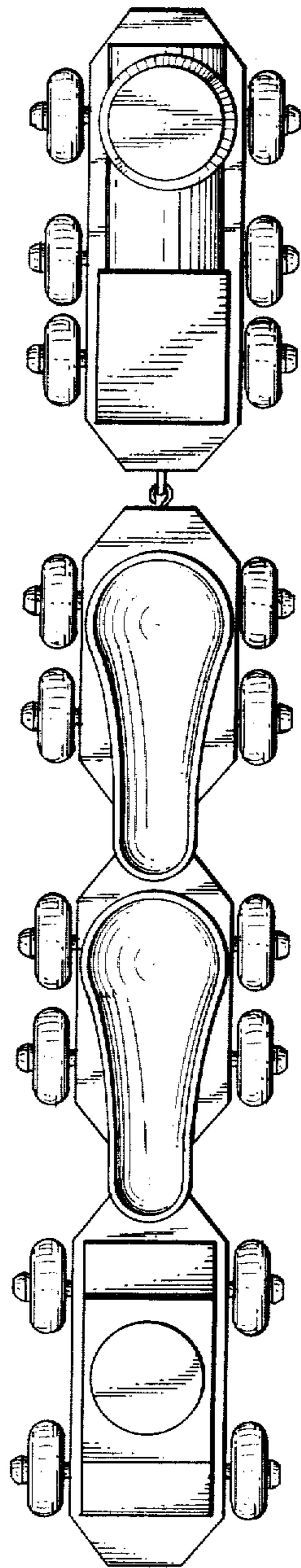


Fig. 4

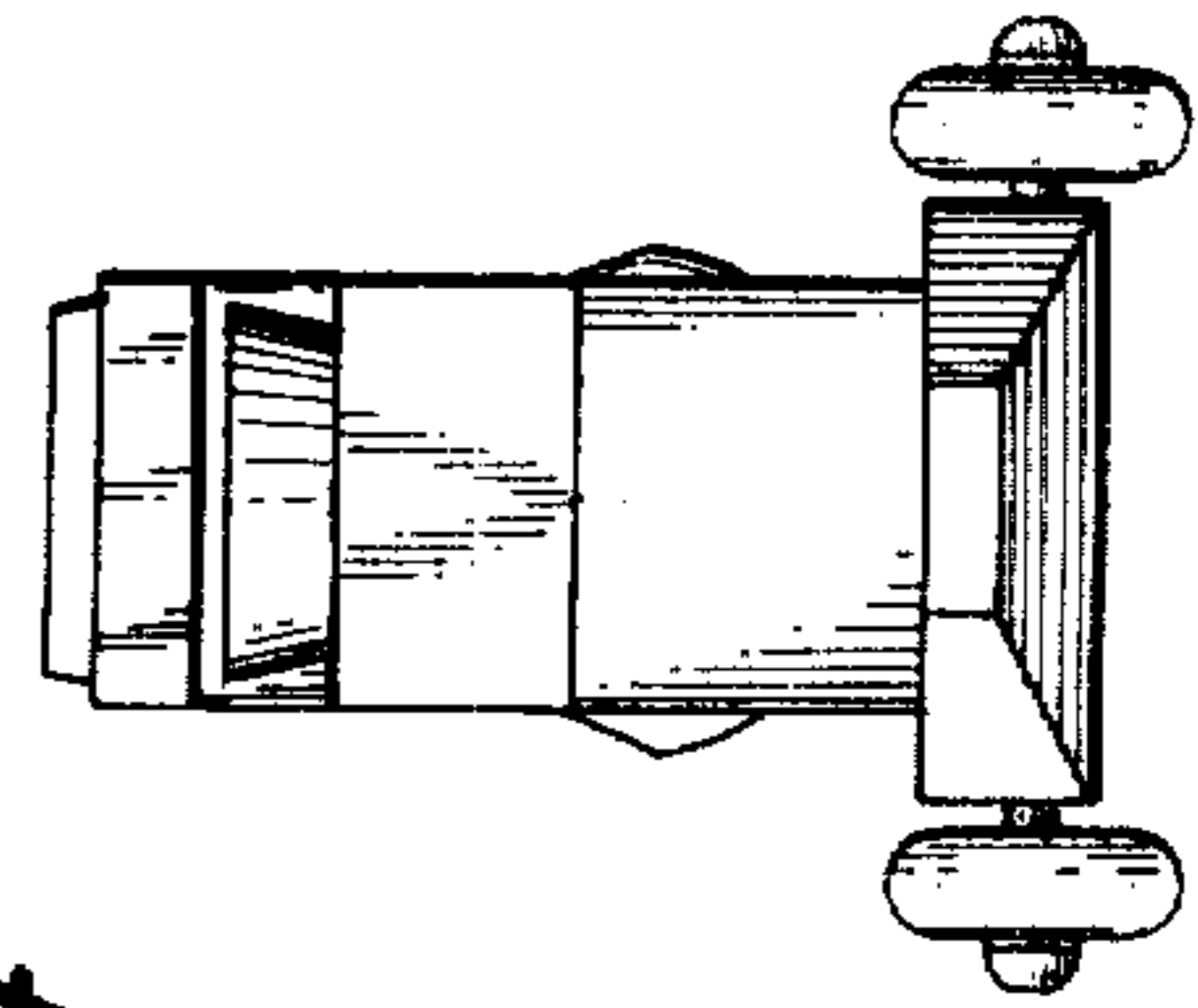


Fig. 3

