

[54] LANTERN

[75] Inventor: Chung-Chee Wong, Kowloon, Hong Kong

[73] Assignee: Sonca Industries Limited, Kowloon, Hong Kong

[\*\*] Term: 14 Years

[21] Appl. No.: 94,311

[22] Filed: Nov. 13, 1979

[30] Foreign Application Priority Data

Sep. 4, 1979 [GB] United Kingdom ..... 991415

[51] Int. Cl. .... D26-02

[52] U.S. Cl. .... D26/41; D26/37; D26/44

[58] Field of Search ..... D26/37-50; 362/157, 184, 183, 186, 190, 197, 200

[56]

References Cited

U.S. PATENT DOCUMENTS

D. 224,556	8/1972	Chan .....	D26/44
D. 257,540	11/1980	Yip .....	D26/41
2,932,018	4/1960	Schwartz .....	D26/50 X
3,955,078	5/1976	Eggers et al. ....	D26/63 X
4,069,404	1/1978	Minoprio et al. ....	362/200 X

Primary Examiner—A. Hugo Word

Attorney, Agent, or Firm—Wenderoth, Lind & Ponack

[57]

CLAIM

The ornamental design for a lantern, substantially as shown.

DESCRIPTION

FIG. 1 is a front view of the lantern; FIG. 2 is a rear view of the lantern; FIG. 3 is a plan view of the lantern; and FIG. 4 is a side view of the lantern with its carrying handle in a position to form a supporting stand.

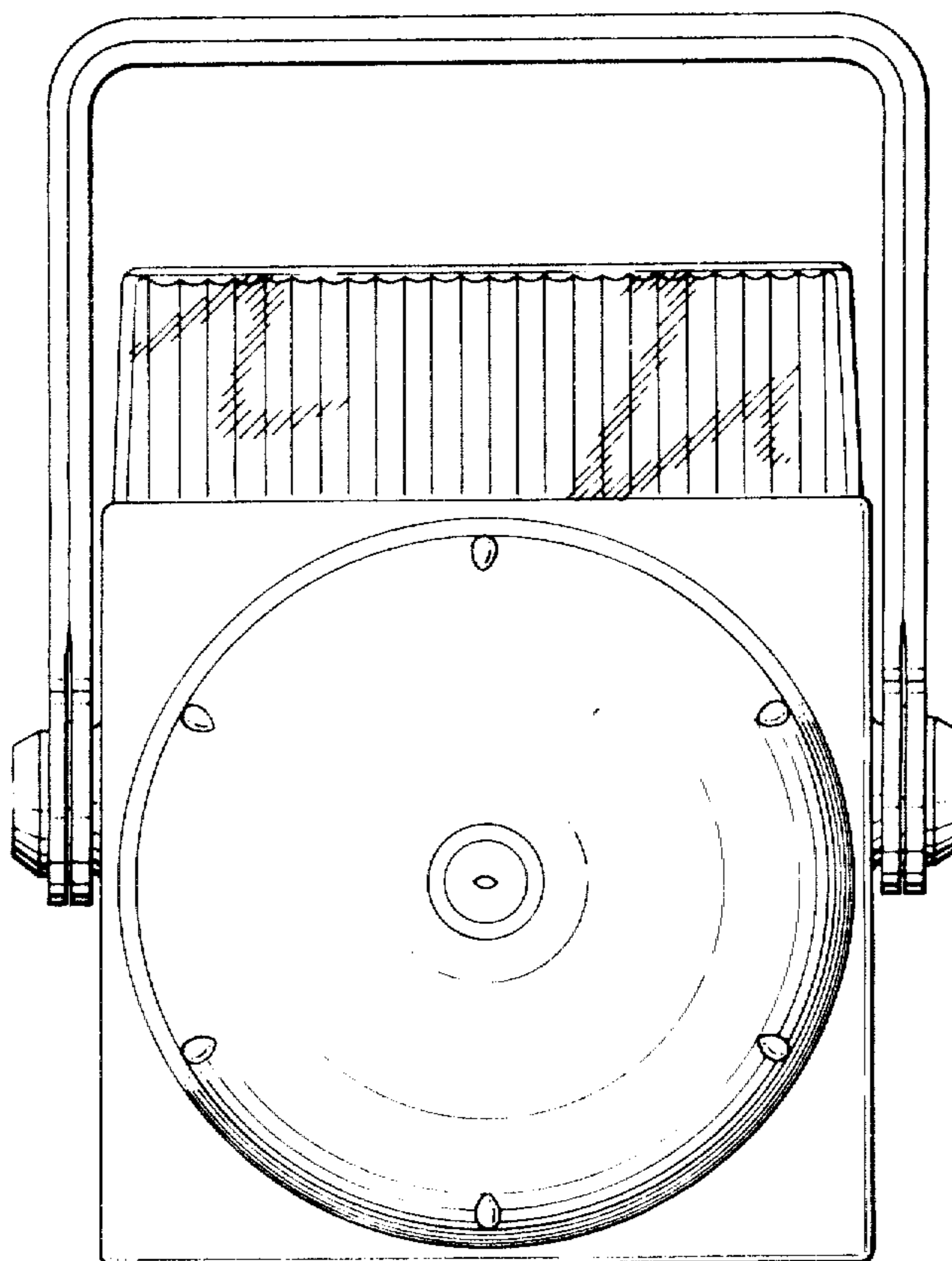


FIG. 1

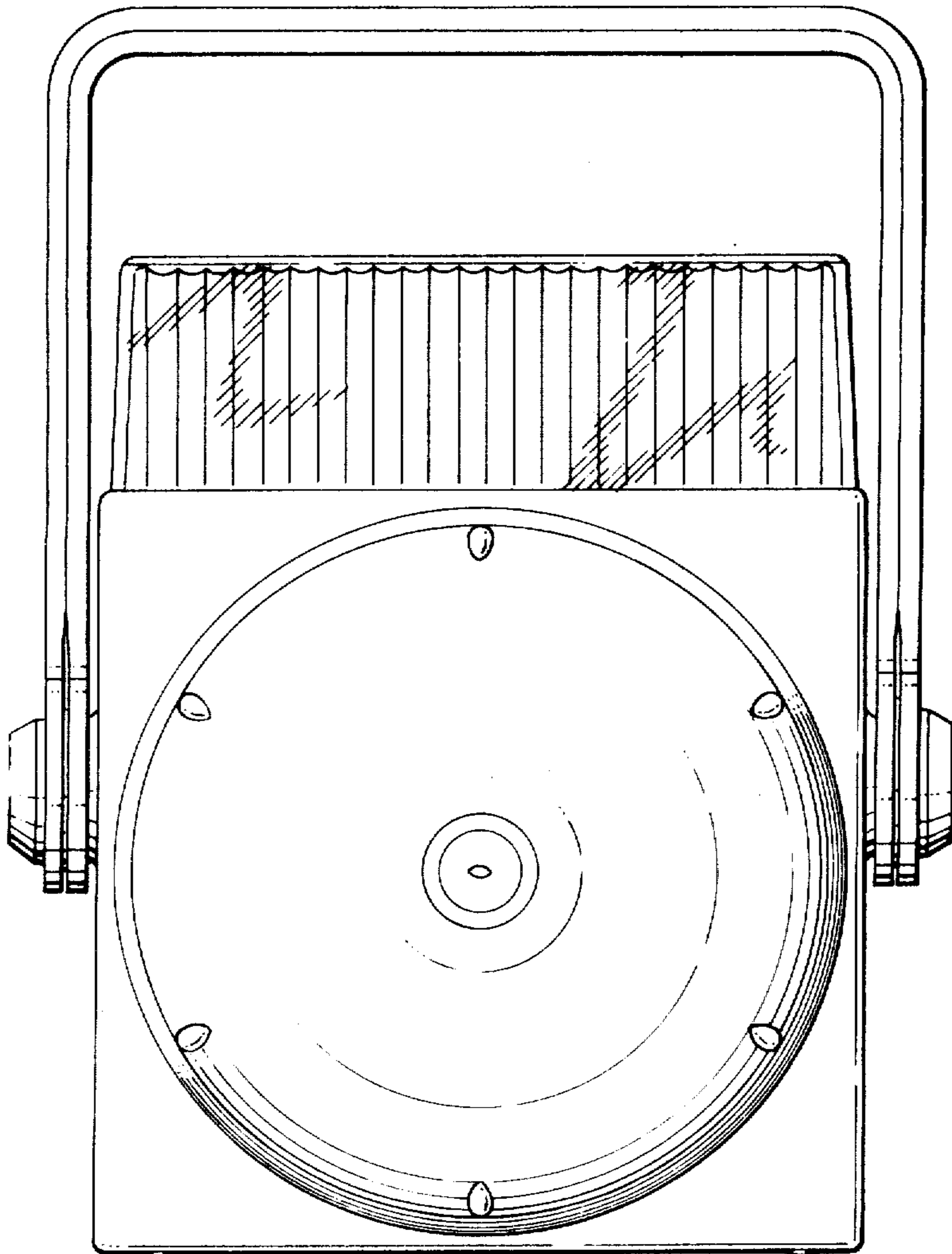


FIG. 2

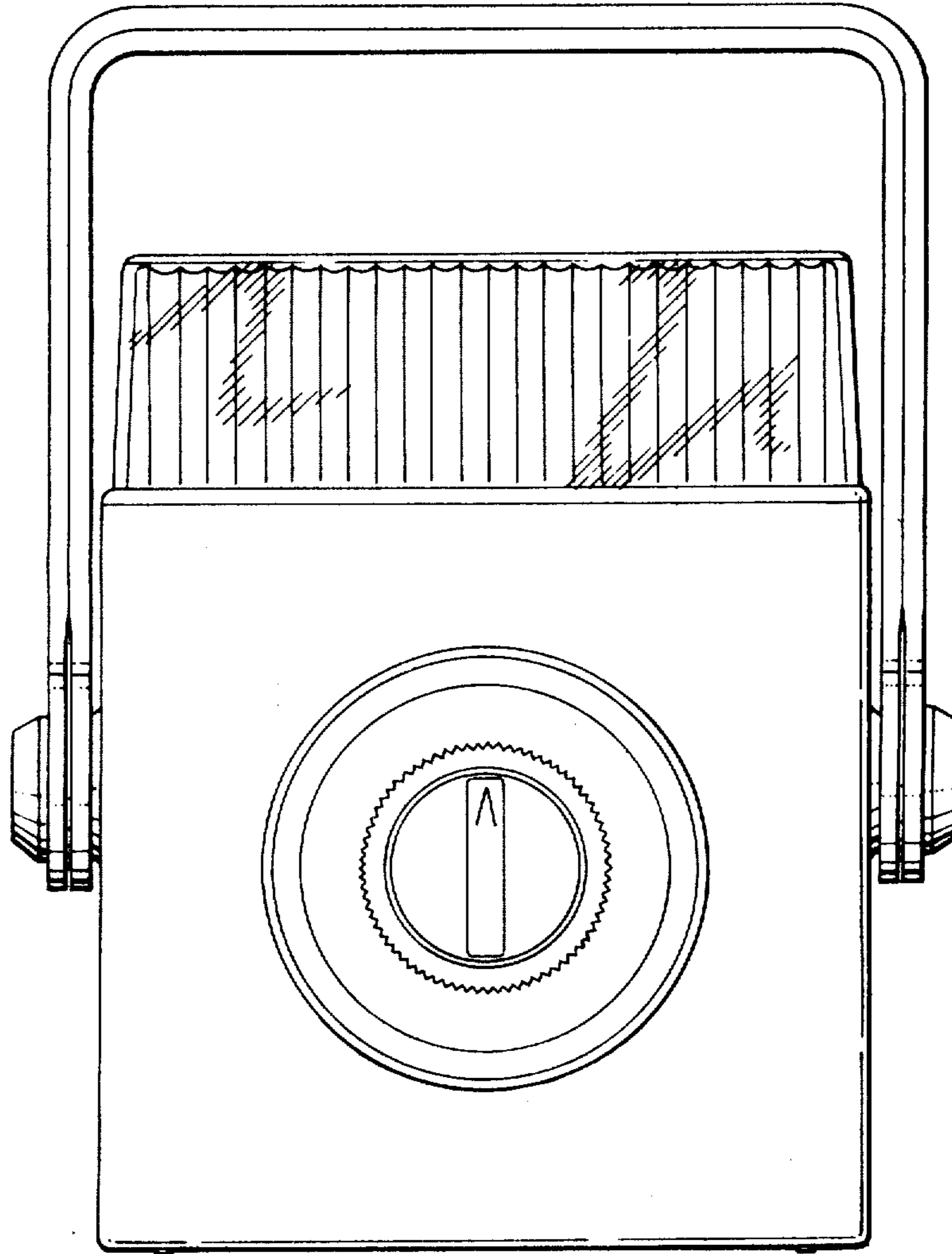


FIG. 3

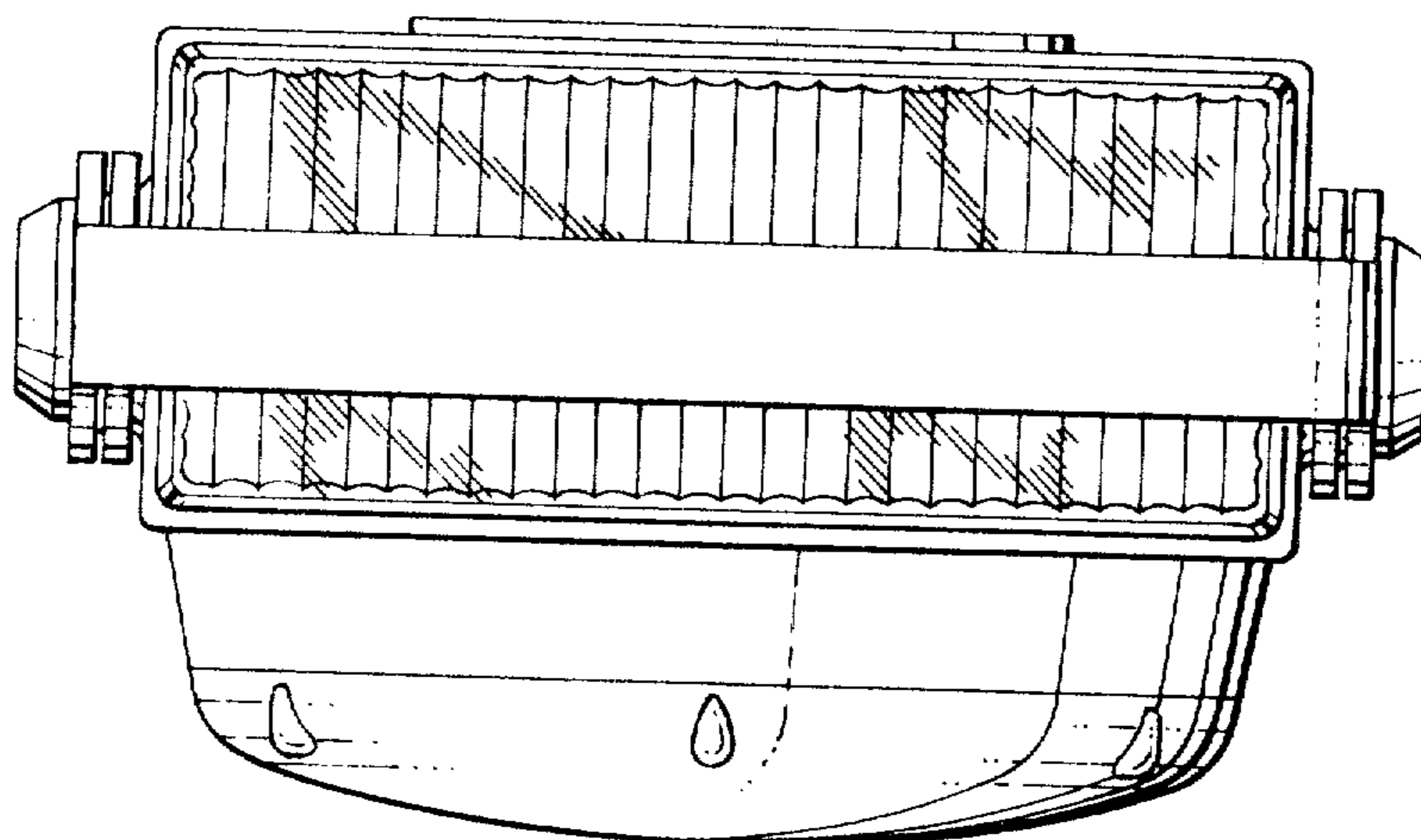


FIG. 4

