

[54] **WINDOW COMPONENT EXTRUSION**

[76] Inventor: **Raymond Dallaire**, P.O. Box 220,
Levis, Quebec, Canada

[**] Term: **14 Years**

[21] Appl. No.: **145,262**

[22] Filed: **Apr. 30, 1980**

[30] **Foreign Application Priority Data**

Nov. 14, 1979 [FR] France 78029

[51] Int. Cl. **D25-01**

[52] U.S. Cl. **D25/74**

[58] Field of Search 49/413, 419, 423, 469,
49/501, 504; D25/52, 74

[56] **References Cited**

U.S. PATENT DOCUMENTS

D. 220,566 4/1971 Weeks D25/74
D. 243,676 3/1977 Dallaire D25/74
D. 243,682 3/1977 Dallaire D25/74
4,078,335 3/1978 Uehara 49/425

Primary Examiner—A. Hugo Word

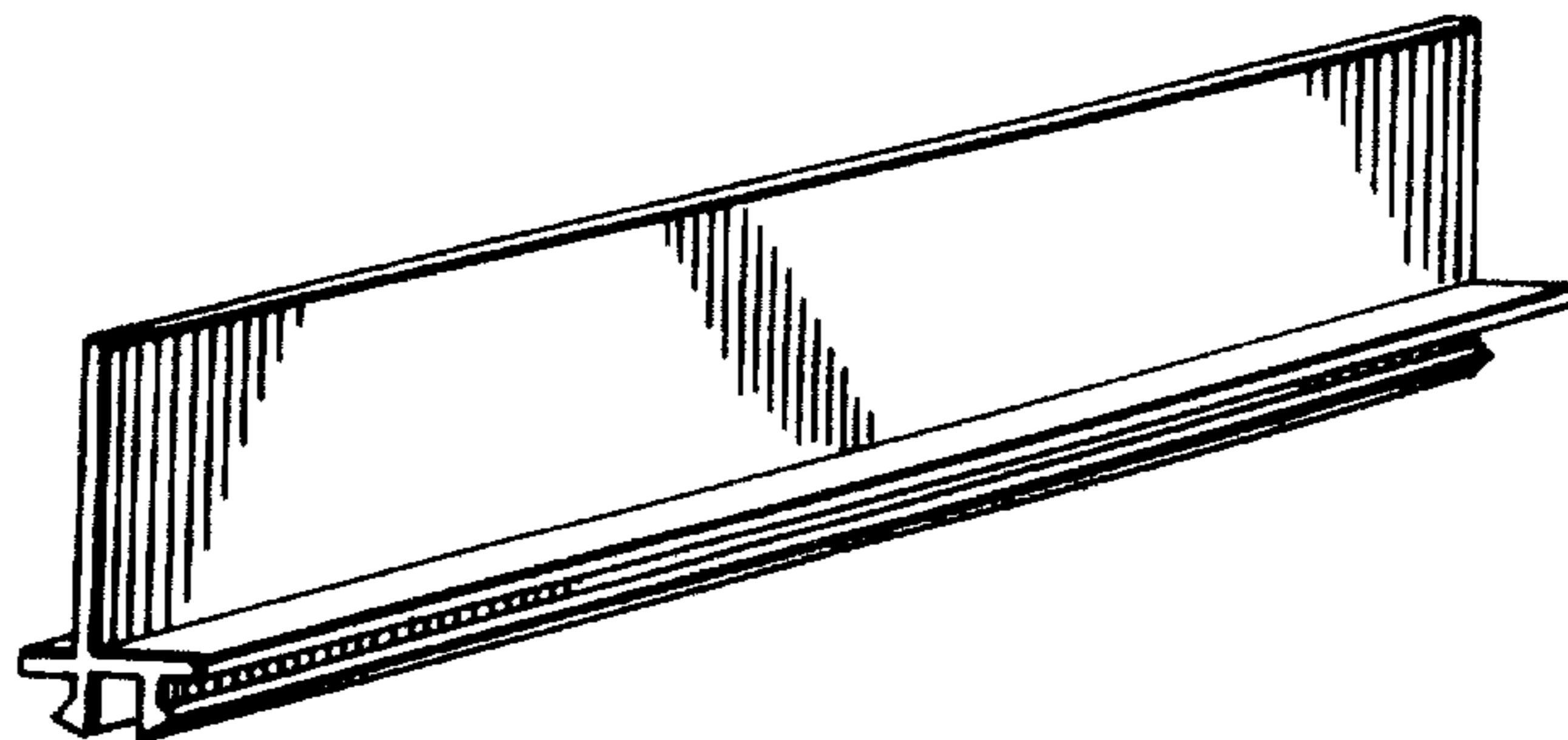
Attorney, Agent, or Firm—Cushman, Darby & Cushman

[57] **CLAIM**

The ornamental design for a window component extrusion, as shown.

DESCRIPTION

FIG. 1 is a perspective of one side of the extrusion, and FIG. 2 is a corresponding perspective from the opposite side of the extrusion compared to FIG. 1.



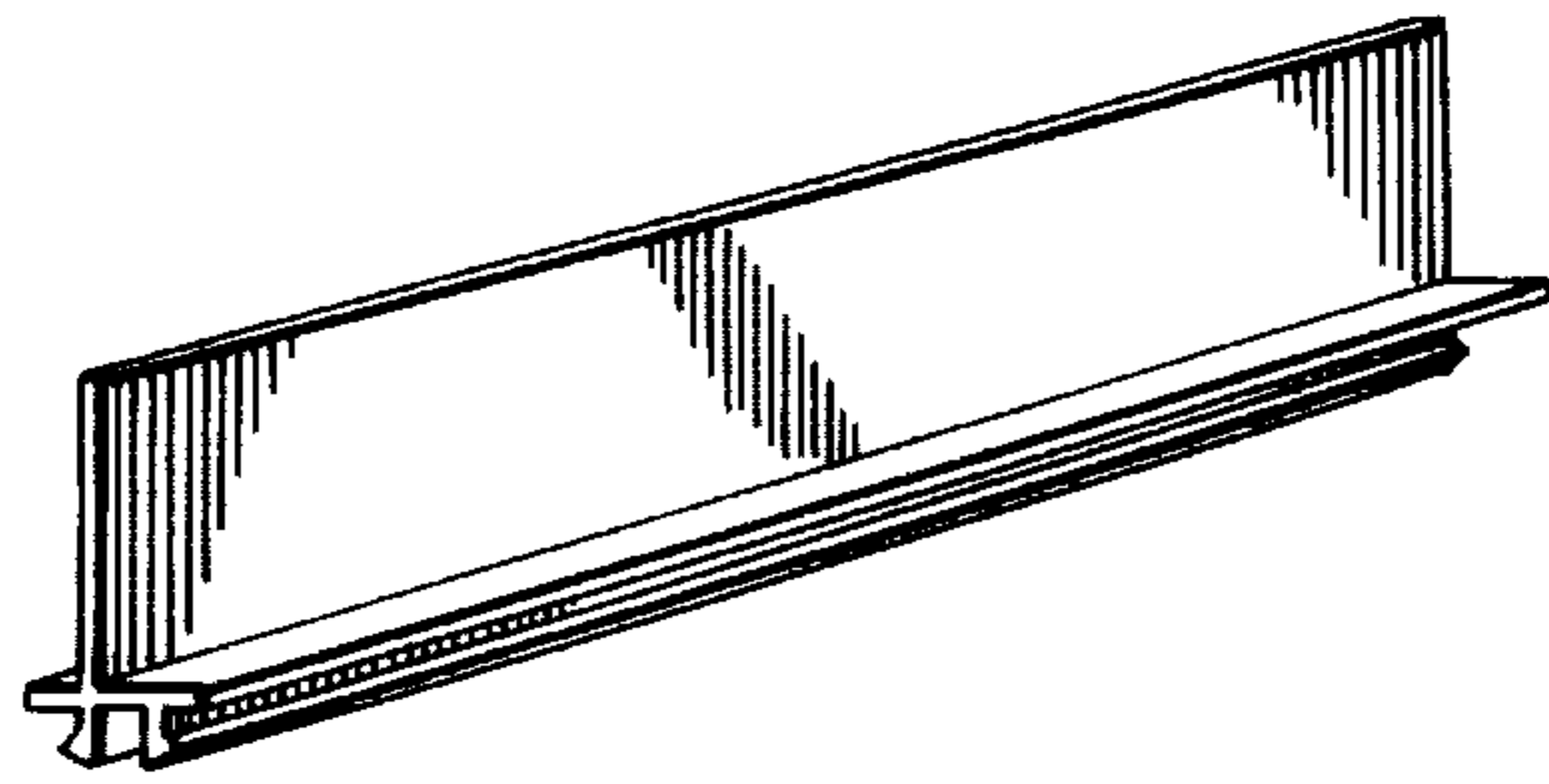


FIG. 1

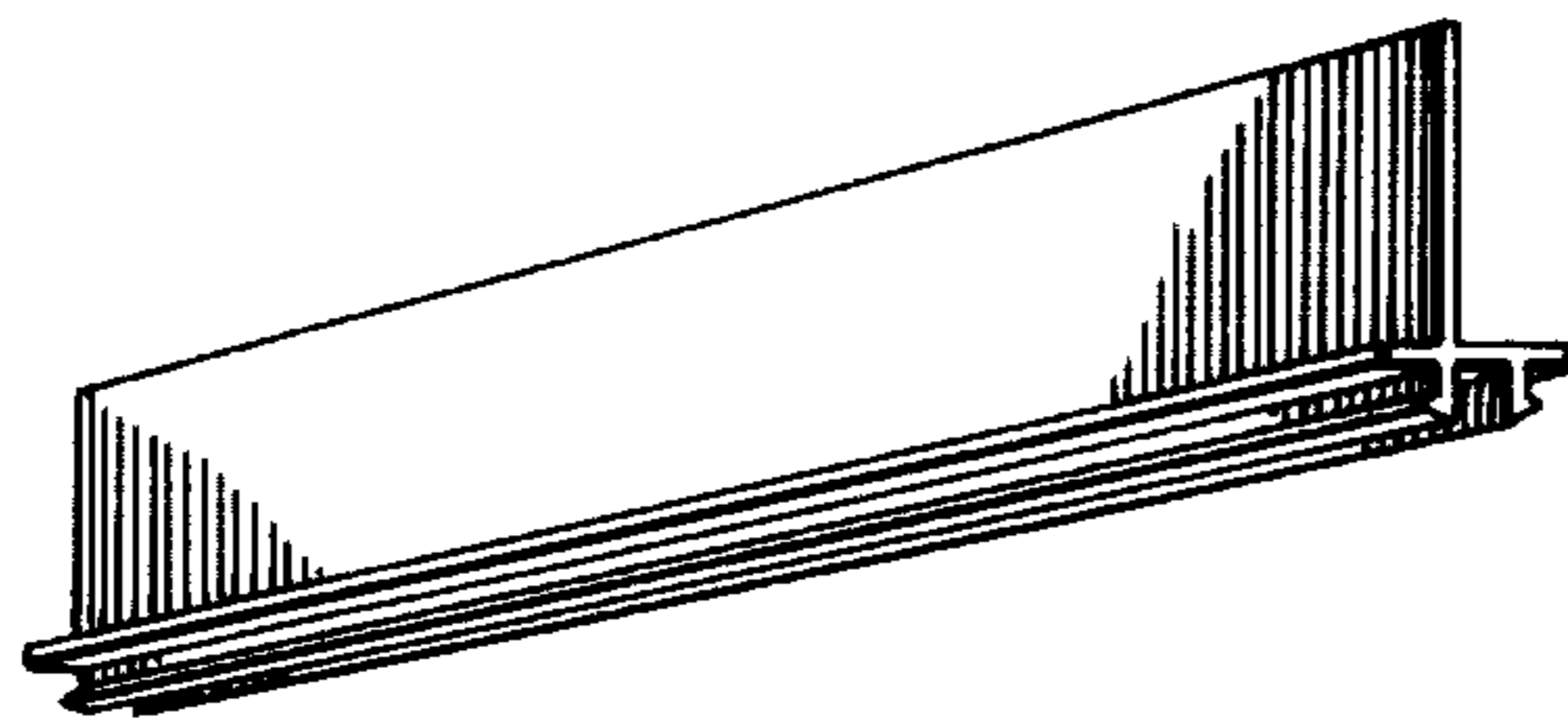


FIG. 2