

[54] ADJUSTABLE MEDICAL TUBING SUPPORT FRAME OR SIMILAR ARTICLE

[76] Inventors: Alex Stenzler, 98 Barry La., Syosset, N.Y. 11791; Harrel D. Ziecheck, 4 Mimosa La., Piscataway, N.J. 08854

[**] Term: 14 Years

[21] Appl. No.: 30,500

[22] Filed: Apr. 16, 1979

[51] Int. Cl. D24-02

[52] U.S. Cl. D24/51

[58] Field of Search 248/81, 205 A, 68 R; 128/350 R, 350 V, 133, 348; D24/51, 73 B; 206/370, 484, 813

[56] References Cited

U.S. PATENT DOCUMENTS

- D. 233,995 12/1974 Miller D24/51
- D. 241,861 10/1976 Haerr D24/51
- 2,963,247 12/1960 Collier et al. 248/81
- 2,997,265 8/1961 Weiss 248/68 R
- 3,210,816 10/1965 Clemons 24/73 B

- 3,696,920 10/1972 Lahay 206/370
- 3,702,612 11/1972 Schlesinger 128/350 R
- 4,025,015 5/1977 Kolic 248/205 A
- 4,141,524 2/1979 Corvese, Jr. 248/74 A

FOREIGN PATENT DOCUMENTS

- 1471609 4/1977 United Kingdom 206/370

Primary Examiner—Bernard Ansher
Attorney, Agent, or Firm—Schuyler, Banner, Birch, McKie & Beckett

[57] CLAIM

The ornamental design for an adjustable medical tubing support frame or similar article, as shown and described.

DESCRIPTION

FIG. 1 is a perspective view of the adjustable medical tubing support frame or similar article; FIG. 2 is a front elevational view thereof, the broken lines illustrating one of its various adjusted configurations; FIG. 3 is a side elevational view thereof; and FIG. 4 is a top plan view thereof.

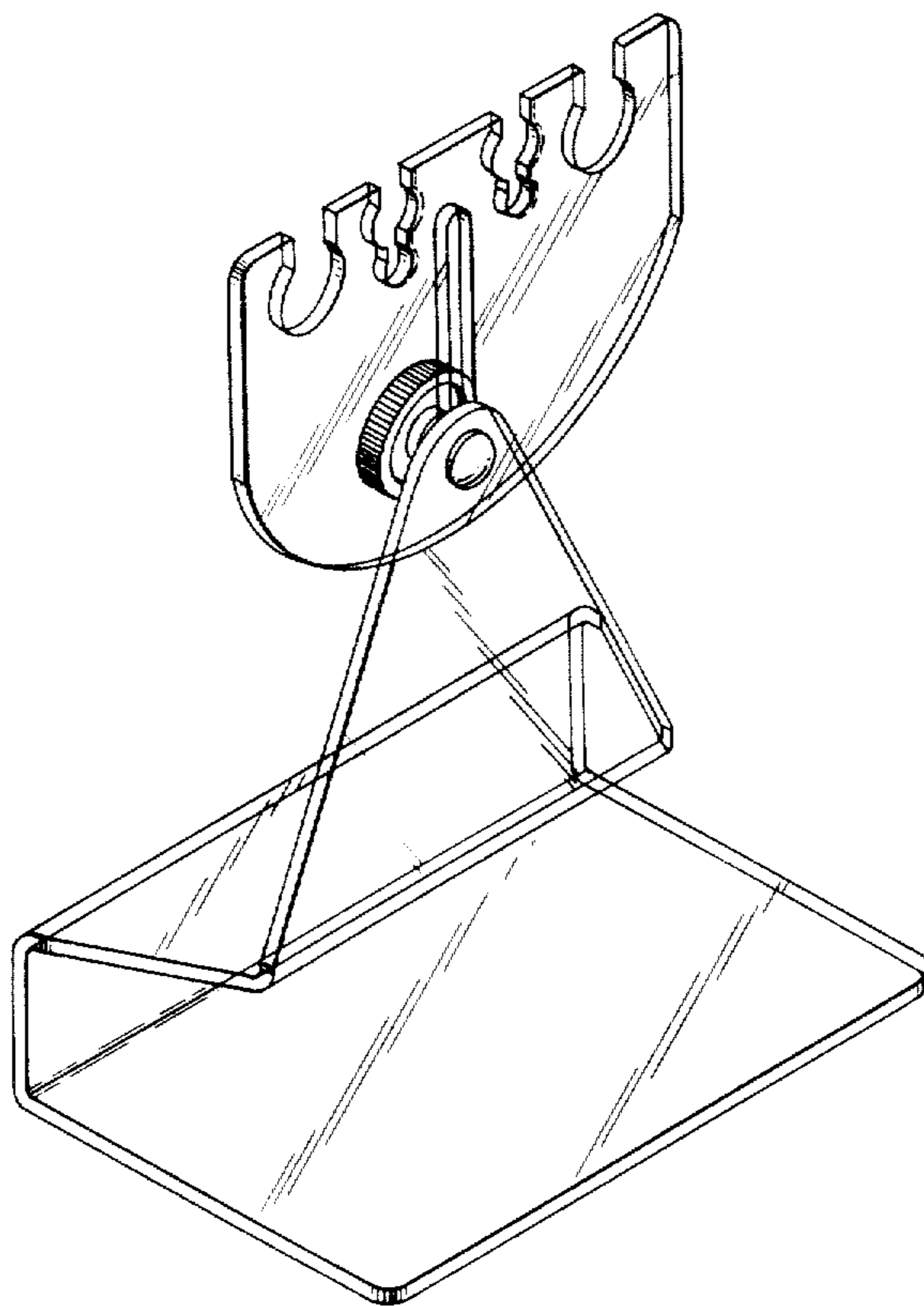


FIG. 1.

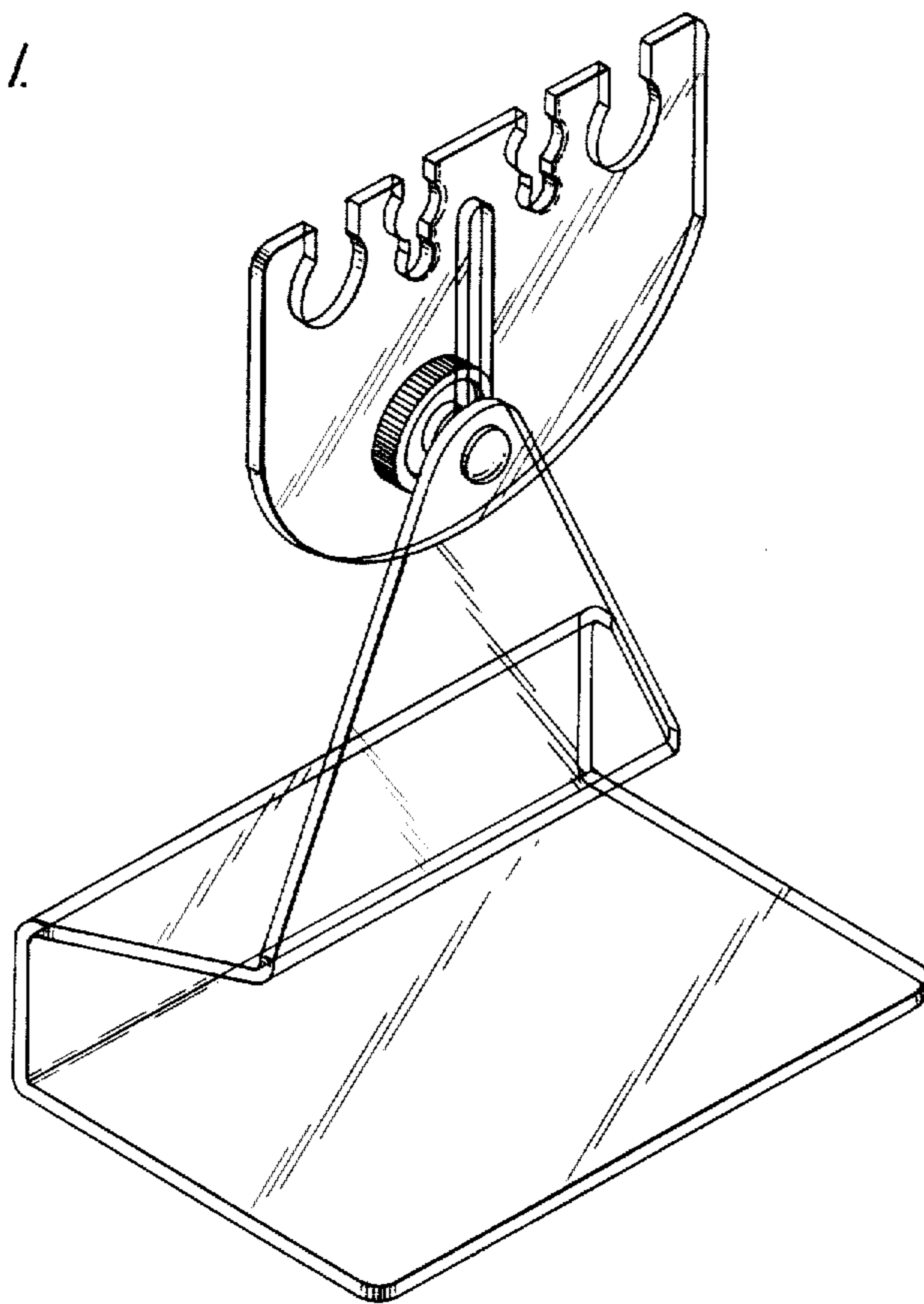


FIG. 2.

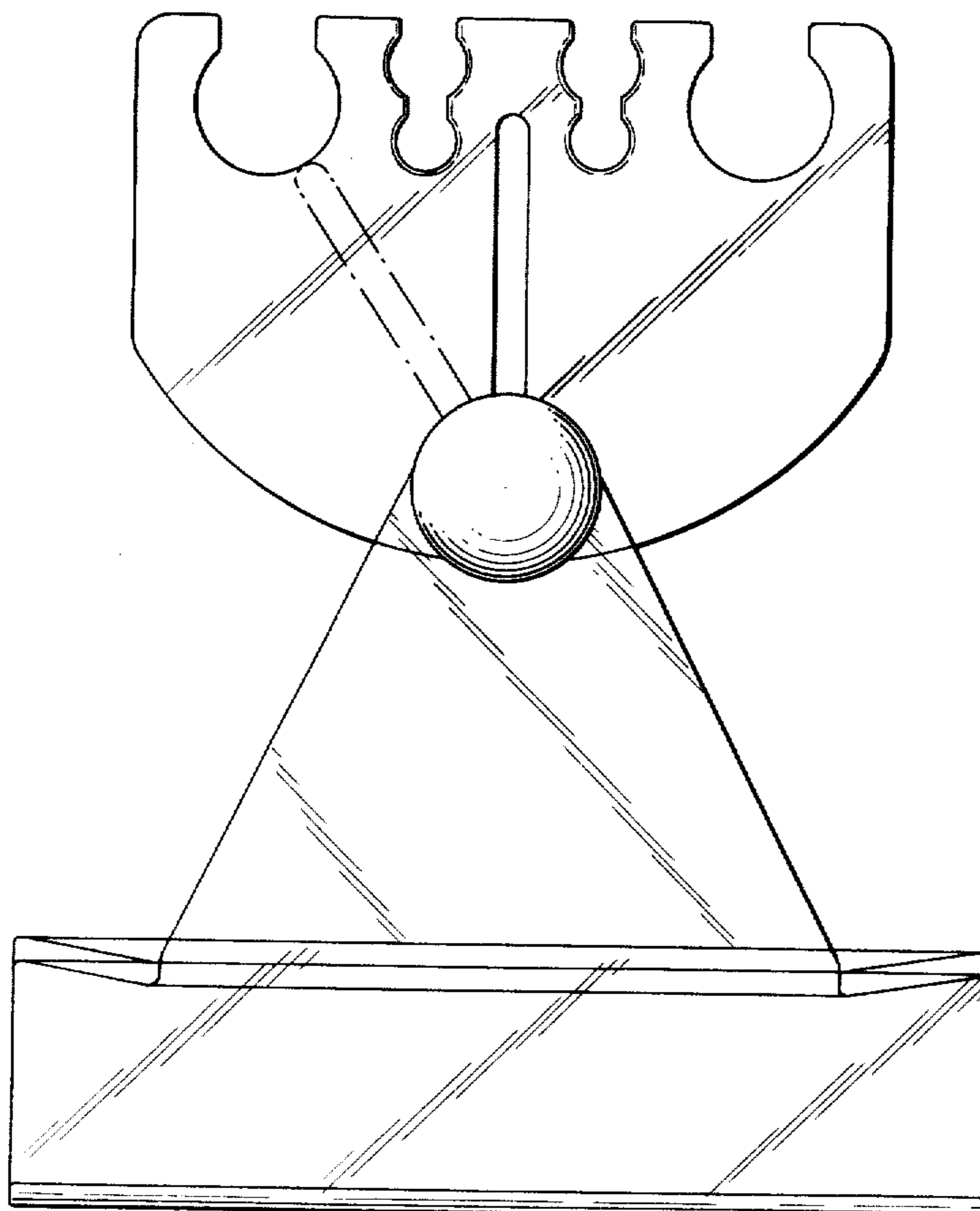


FIG. 3.

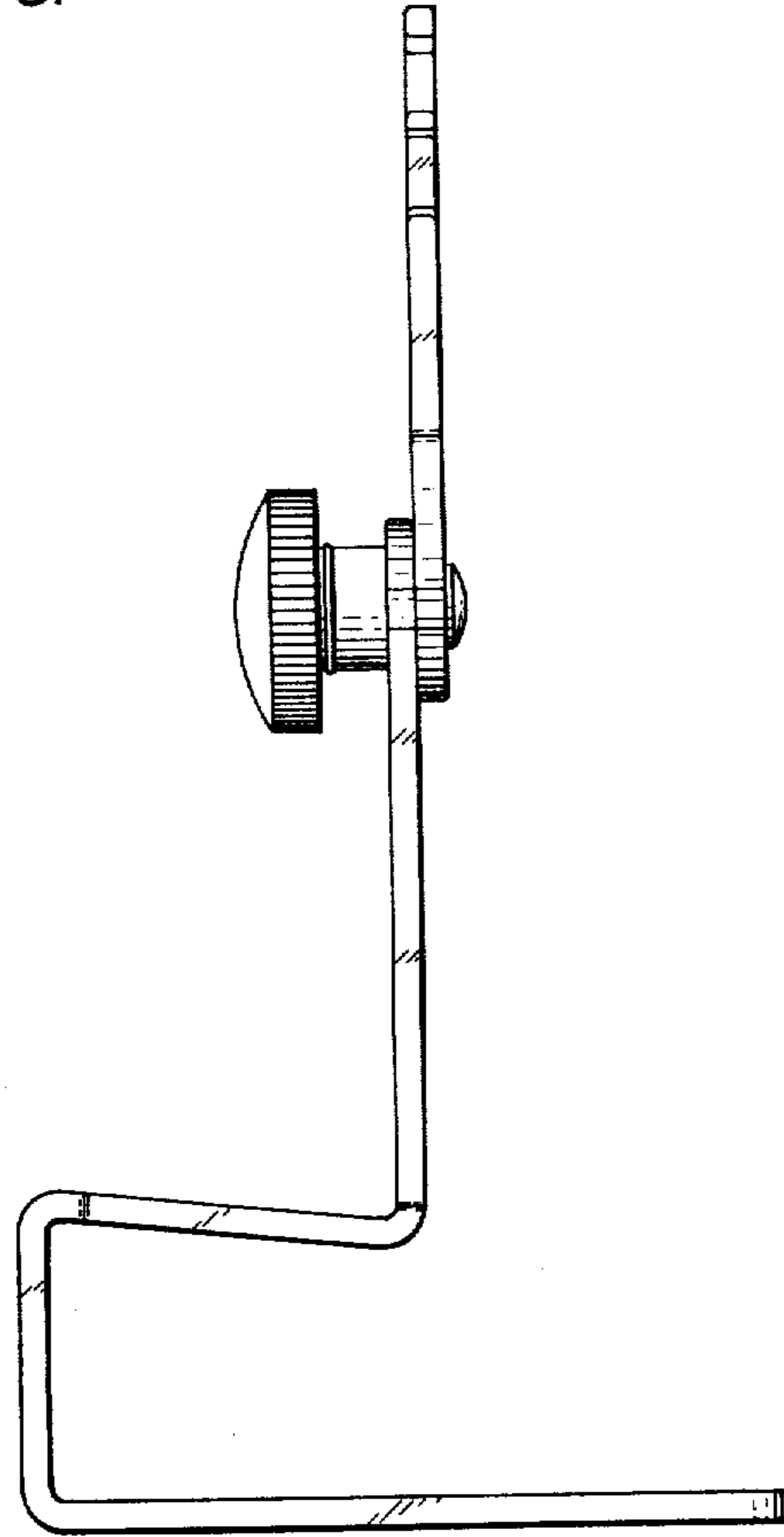


FIG. 4.

