

[54] **DISPENSING NOZZLE**

[75] **Inventor:** Charles W. Taylor, Batavia, Ohio  
[73] **Assignee:** Dover Corporation, New York, N.Y.  
[\*\*] **Term:** 14 Years  
[21] **Appl. No.:** 50,101  
[22] **Filed:** Jun. 19, 1979

[51] **Int. Cl.** ..... D23-01  
[52] **U.S. Cl.** ..... D23/37  
[58] **Field of Search** ..... D15/9.1, 9.2, 9.3;  
D23/34, 36, 37; 137/234.6; 222/566, 567, 575,  
596, 23-28; 235/94 R, 94 A; 346/44

[56]

**References Cited**

**U.S. PATENT DOCUMENTS**

D. 223,915 6/1972 Brown et al. .... D23/37  
2,837,240 6/1958 Boone ..... D23/37

*Primary Examiner*—Leland A. Sebastian  
*Attorney, Agent, or Firm*—Kinney & Schenk

[57]

**CLAIM**

The ornamental design for a dispensing nozzle, as shown and described.

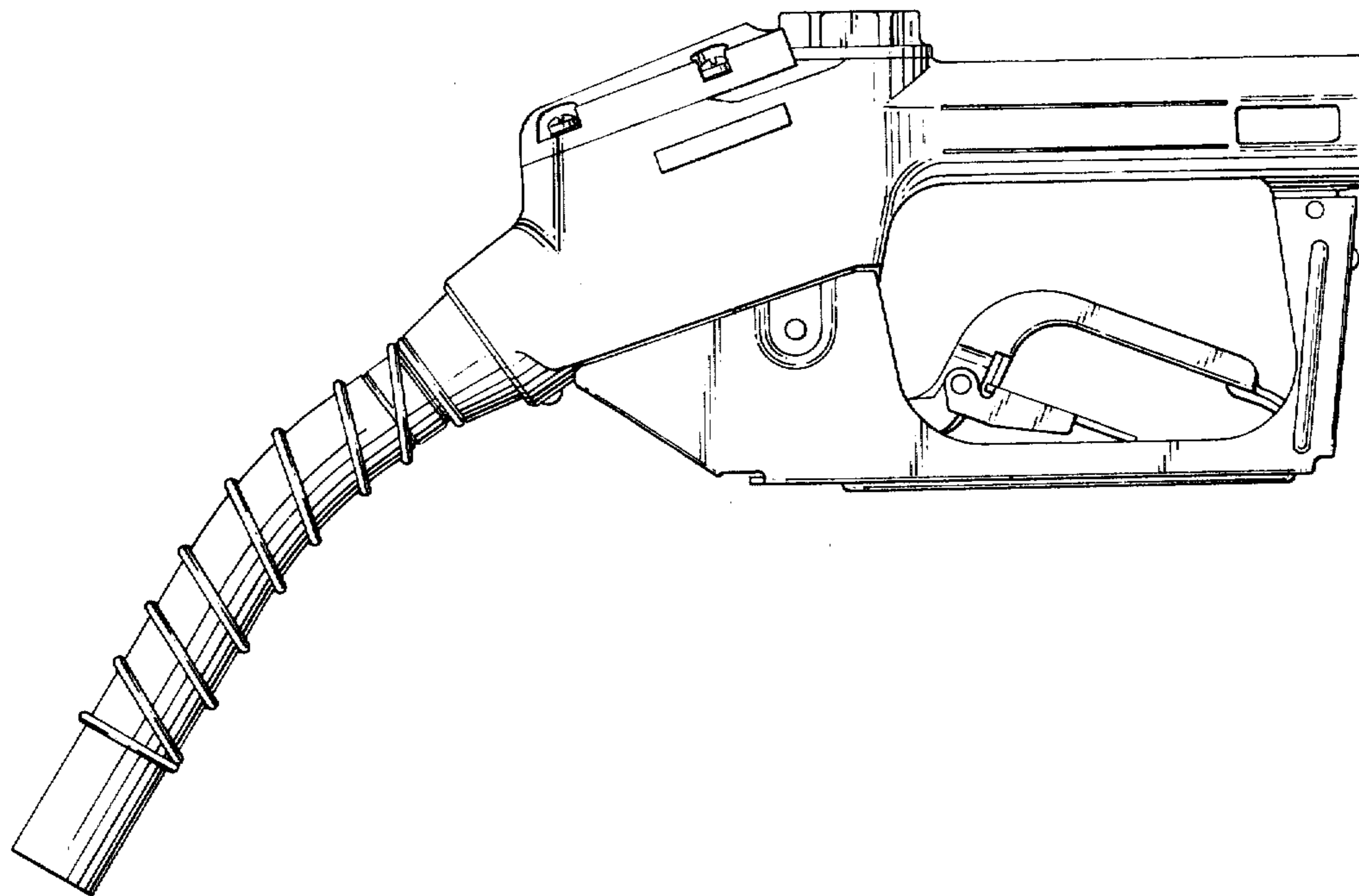
**DESCRIPTION**

FIG. 1 is a side elevational view of a dispensing nozzle showing my new design.

FIG. 2 is a top plan view of the nozzle of FIG. 1.

FIG. 3 is a front elevational view of the nozzle of FIGS. 1 and 2.

FIG. 4 is a front elevational view of the nozzle of FIGS. 1-3 with the spout removed.



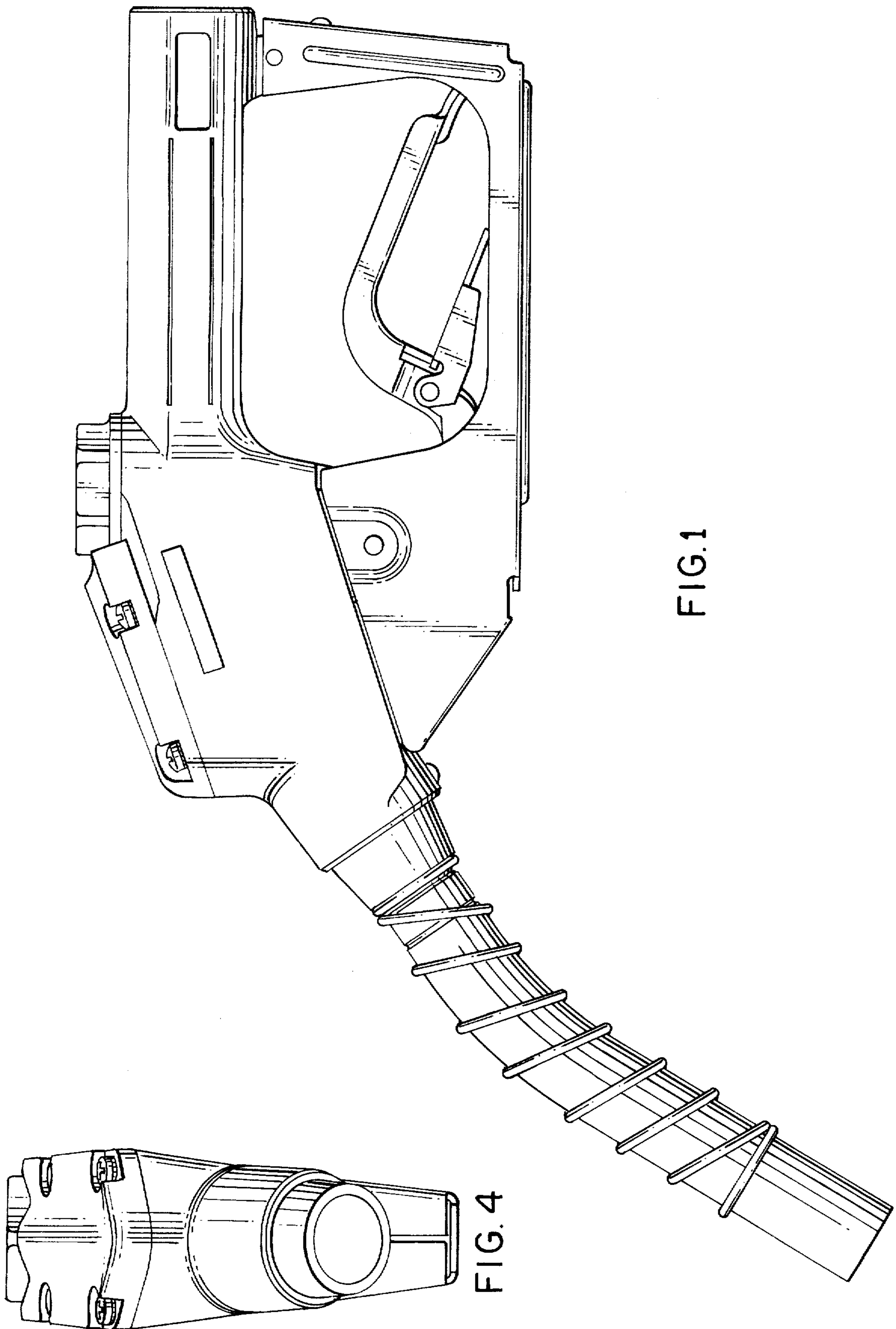


FIG.1

FIG.4

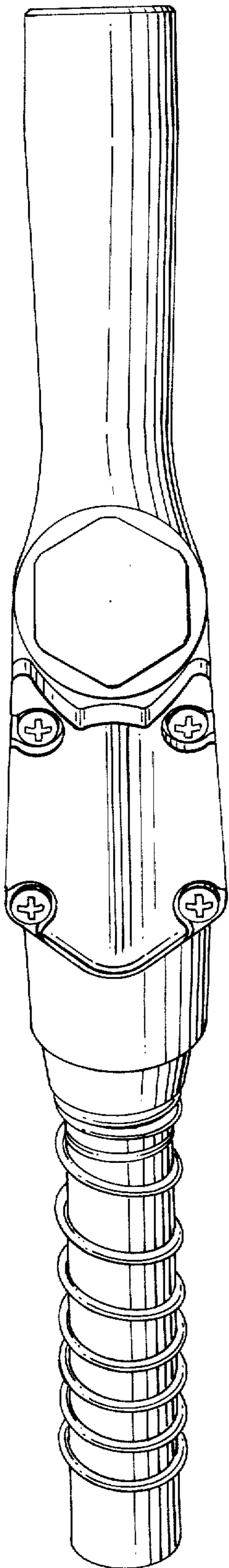


FIG. 2

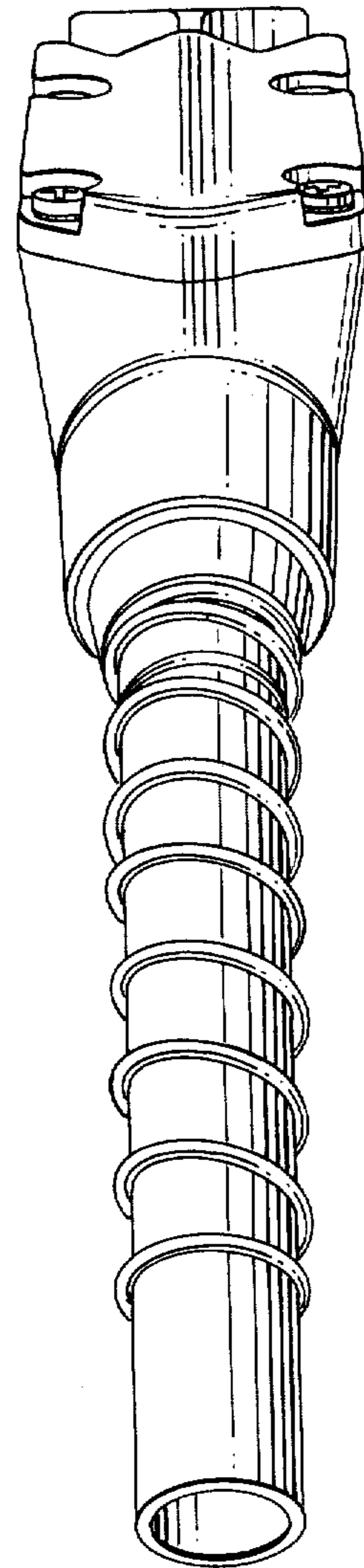


FIG. 3