

[54] **GOLF PUTTER HEAD**

[76] Inventor: **Karsten Solheim**, 501 W. Wakonda
La., Phoenix, Ariz. 85023

[**] Term: **14 Years**

[21] Appl. No.: **148,408**

[22] Filed: **May 9, 1980**

[51] Int. Cl. **D21-02**

[52] U.S. Cl. **D21/217**

[58] Field of Search **D21/217, 219;**
273/167-175, 163, 164

[56] **References Cited**

U.S. PATENT DOCUMENTS

D. 138,809 9/1944 Park **D21/217**
D. 207,228 3/1967 Solheim **D21/219**

D. 255,373 6/1980 Solheim **D21/219**
D. 256,264 8/1980 Solheim **D21/220**

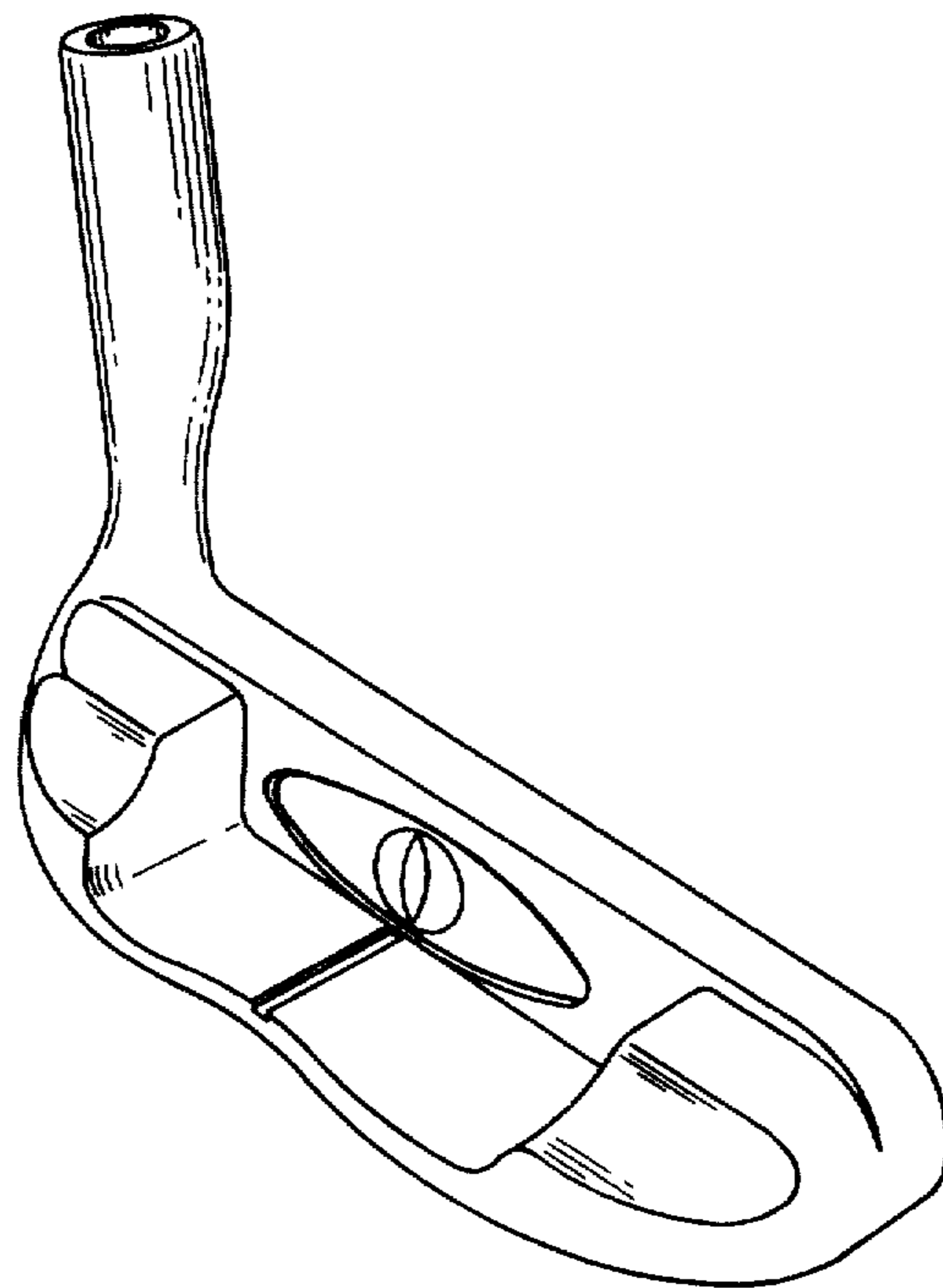
Primary Examiner—Melvin B. Feifer

[57] **CLAIM**

The ornamental design for a golf putter head, substantially as shown.

DESCRIPTION

FIG. 1 is a rear view in perspective of a golf putter head embodying my new design;
FIG. 2 is a front elevation view of the same, and;
FIG. 3 is a top view of a golf putter head embodying my new design;
FIG. 4 is a rear elevation view of the same, and;
FIG. 5 is a sectional view showing the contour of the cavity of the golf putter head embodying my new design.



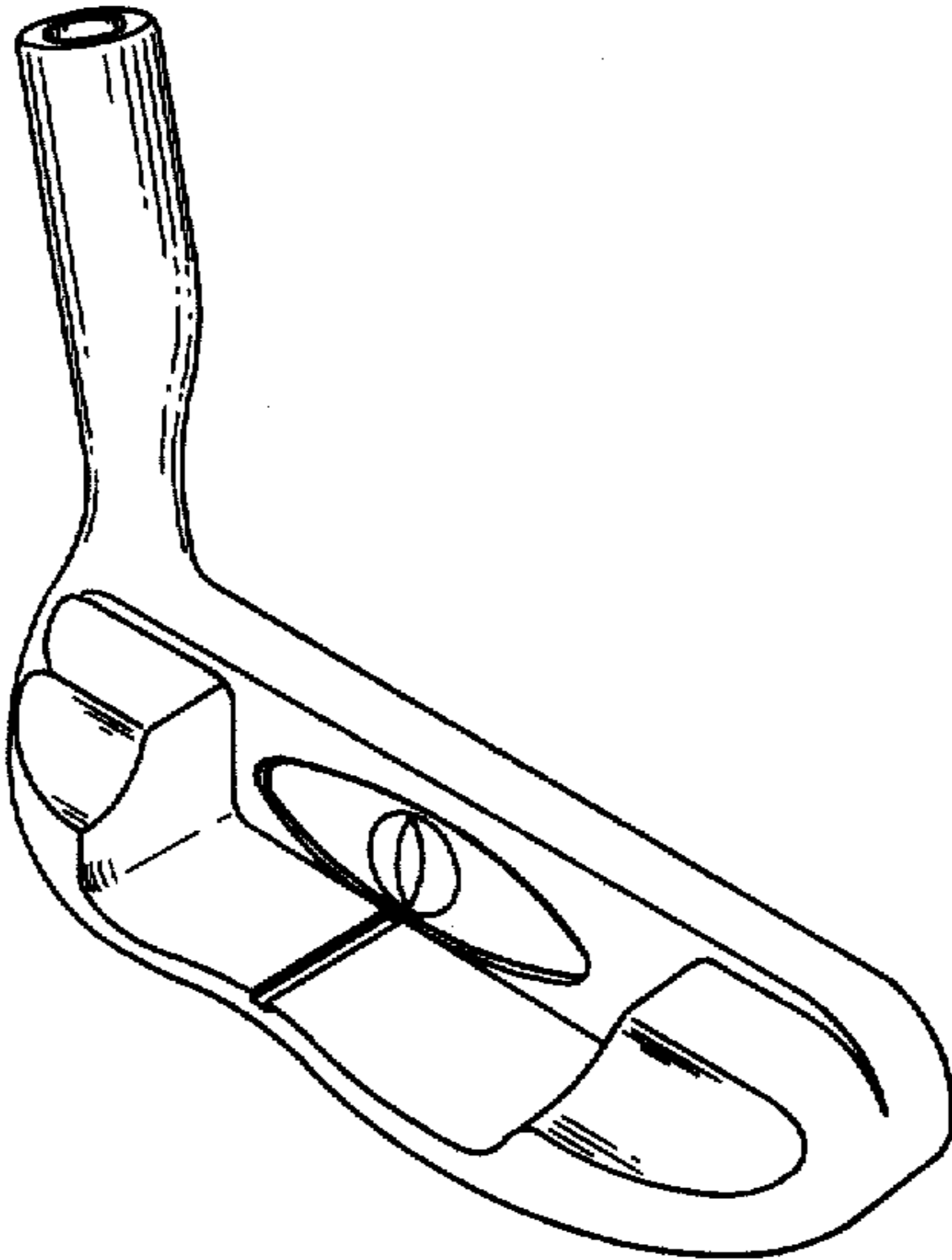


FIG. 1

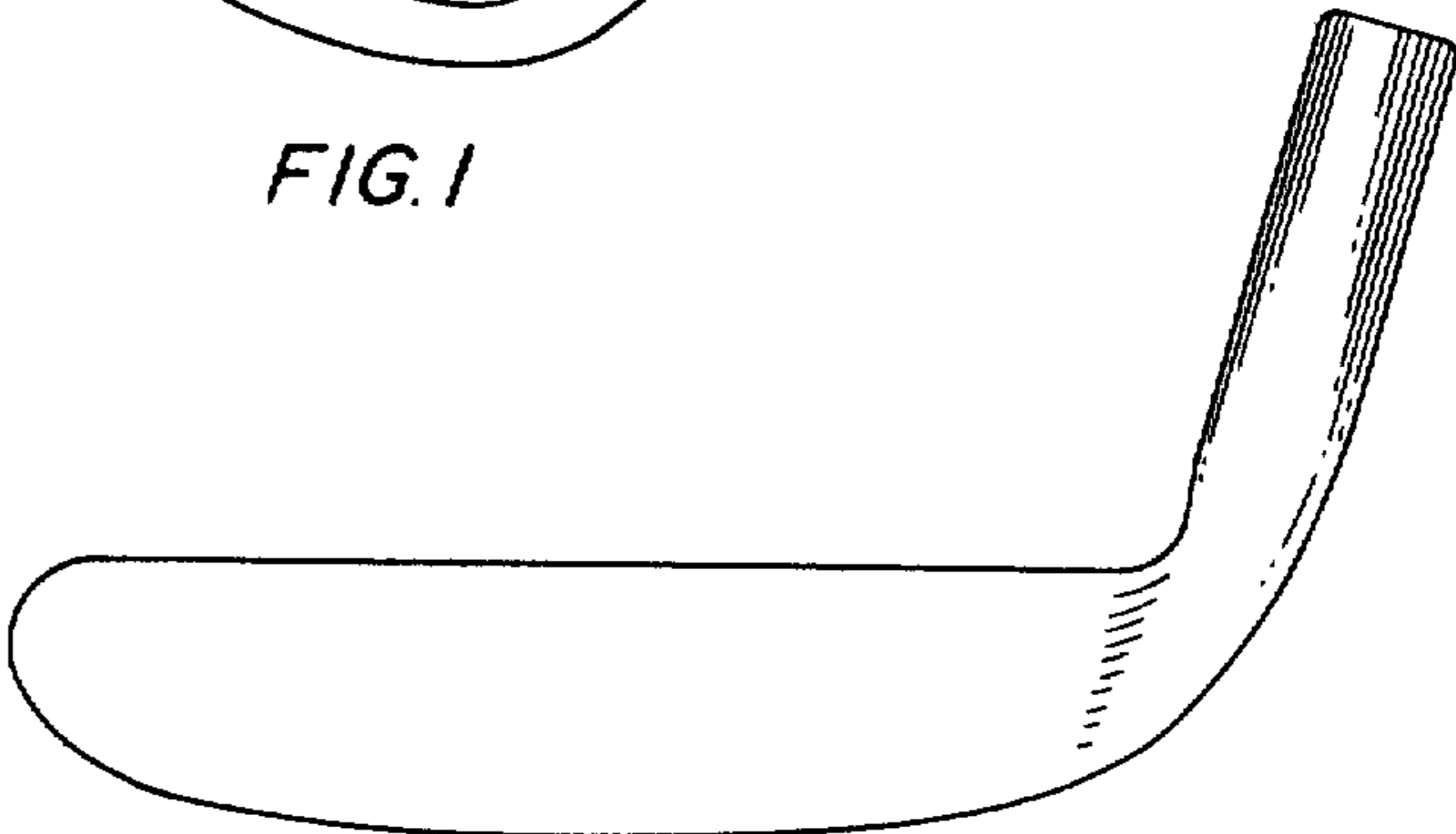


FIG. 2

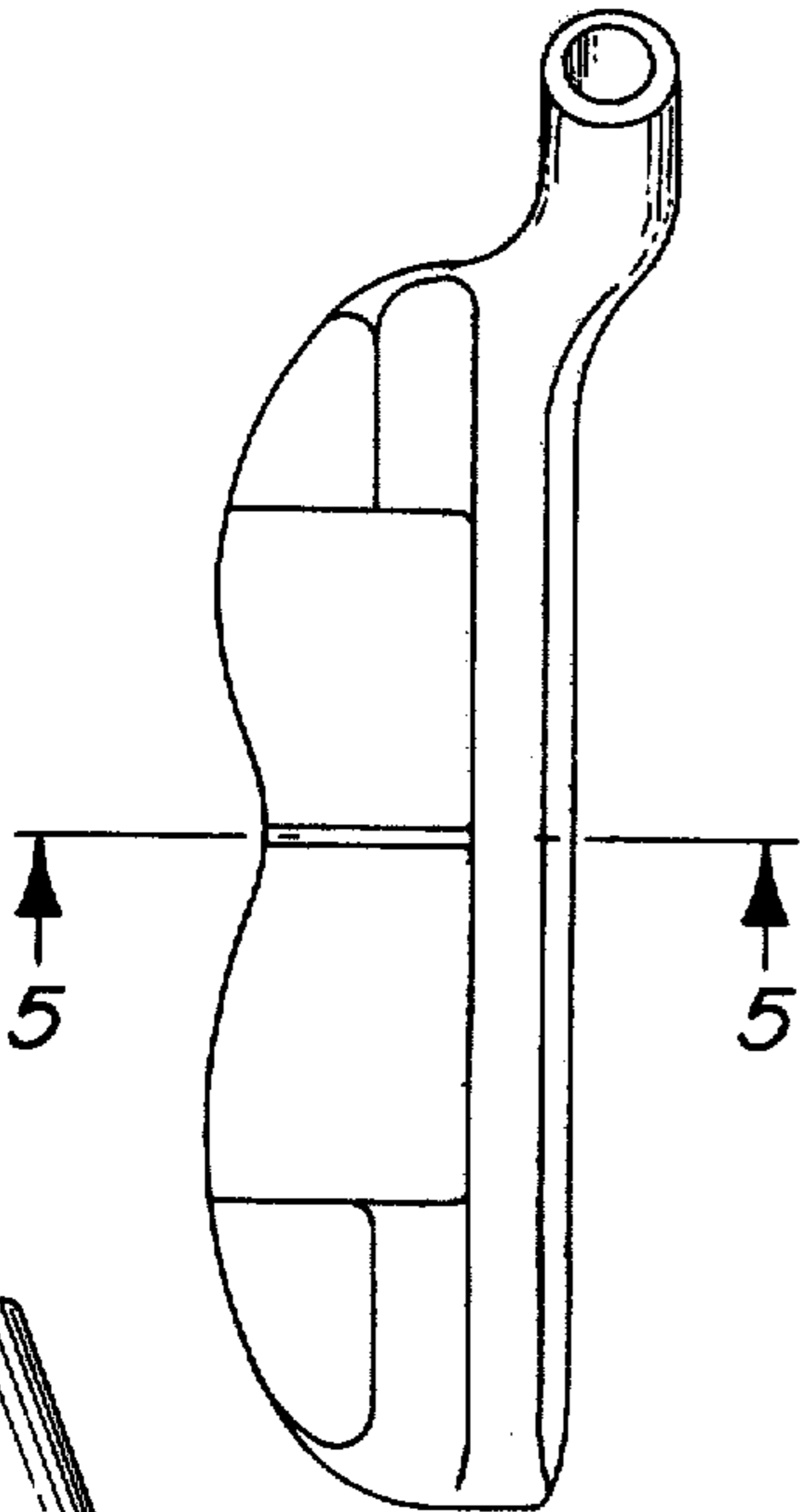


FIG. 3

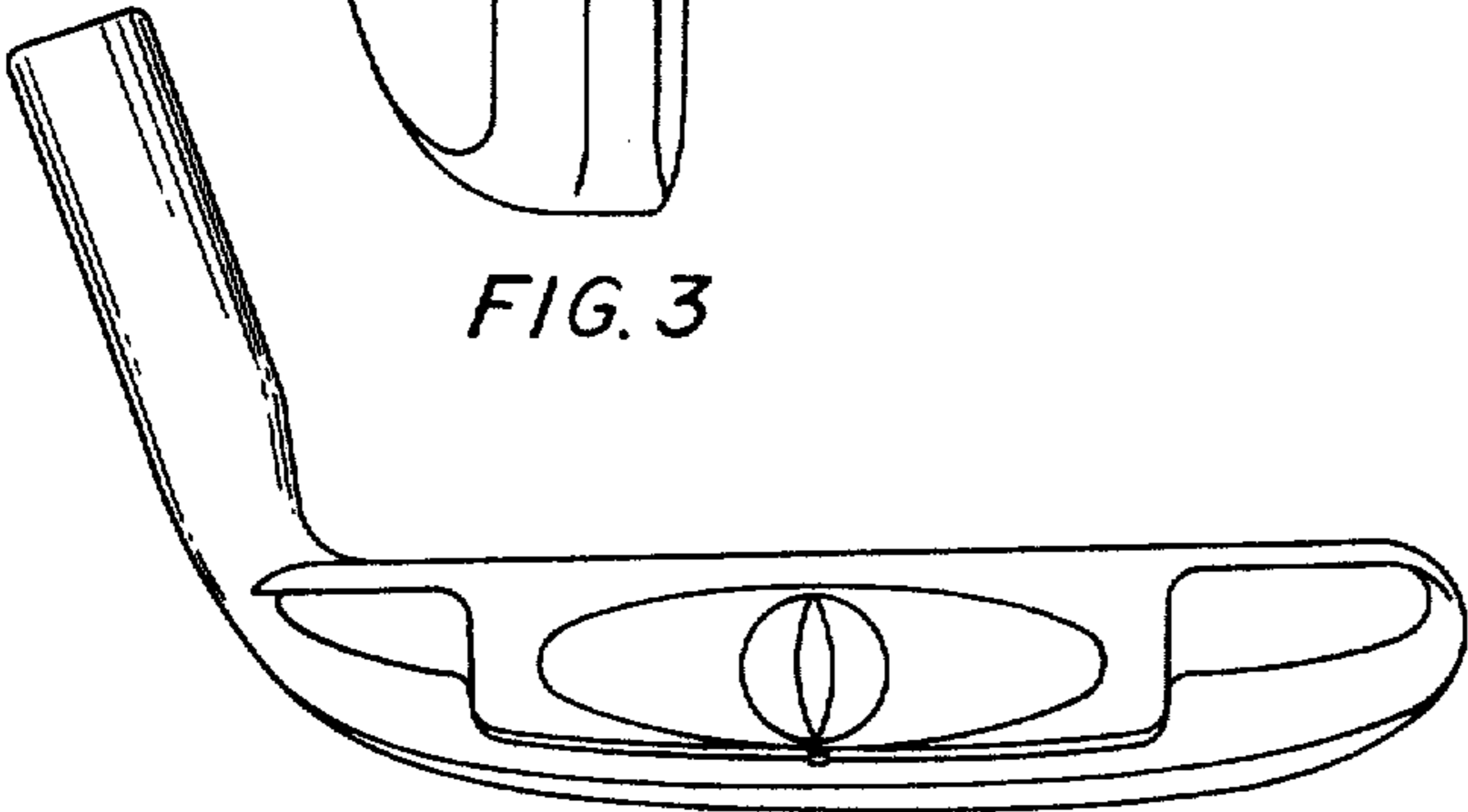


FIG. 4

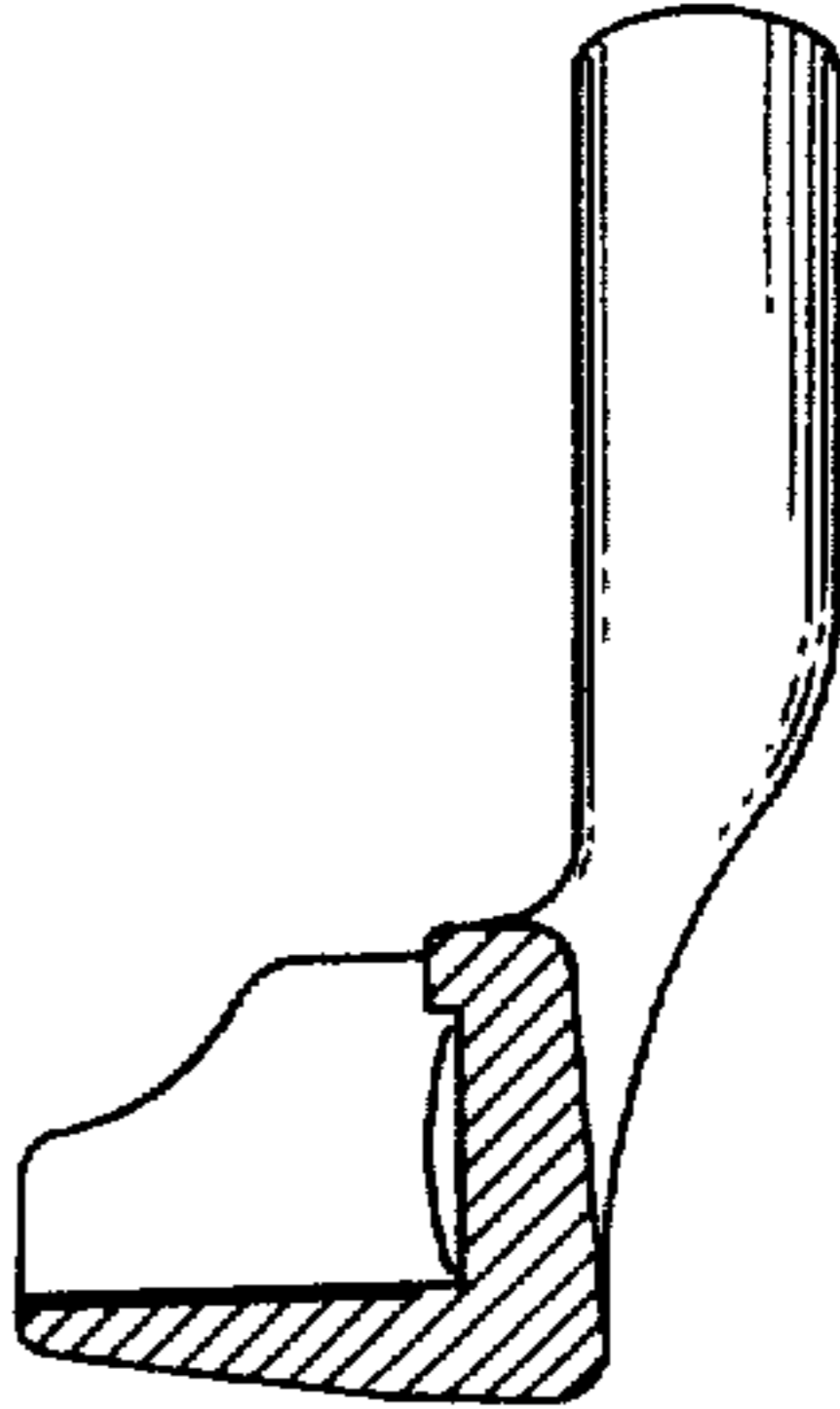


FIG. 5