

[54] **TOY AIRPLANE**

[76] **Inventor:** **Bernard R. Barrett**, 308 Graham Ave., Lombard, Ill. 60148

[**] **Term:** **14 Years**

[21] **Appl. No.:** **141,178**

[22] **Filed:** **Apr. 17, 1980**

[51] **Int. Cl.** **D21—01**

[52] **U.S. Cl.** **D21/89**

[58] **Field of Search** **D21/82, 87, 88, 89, D21/90, 93, 109; 46/1 R, 1 H, 1 L, 60, 74 R, 76 R, 77, 79, 80; 273/426, 427; 244/153 R, 153 A, 154, 155 R, 155 A; D59/1, 2 R; D99/50, 424, 425; D9/345, 456**

[56] **References Cited**

U.S. PATENT DOCUMENTS

2,750,028 6/1956 Bode et al. D9/456
3,010,250 11/1961 Huston 46/79
4,170,084 10/1979 Fierheller 46/79

OTHER PUBLICATIONS

The Great International Paper Airplane Book, © 1967, Plane #2.

Primary Examiner—Charles A. Rademaker
Attorney, Agent, or Firm—Oltsch, Knoblock & Hall

[57] **CLAIM**

The ornamental design for a toy airplane, as shown.

DESCRIPTION

FIG. 1 is a bottom perspective view of a toy airplane showing my new design;
FIG. 2 is a side elevational view thereof;
FIG. 3 is a front elevational view thereof; and
FIG. 4 is a top plan view thereof.

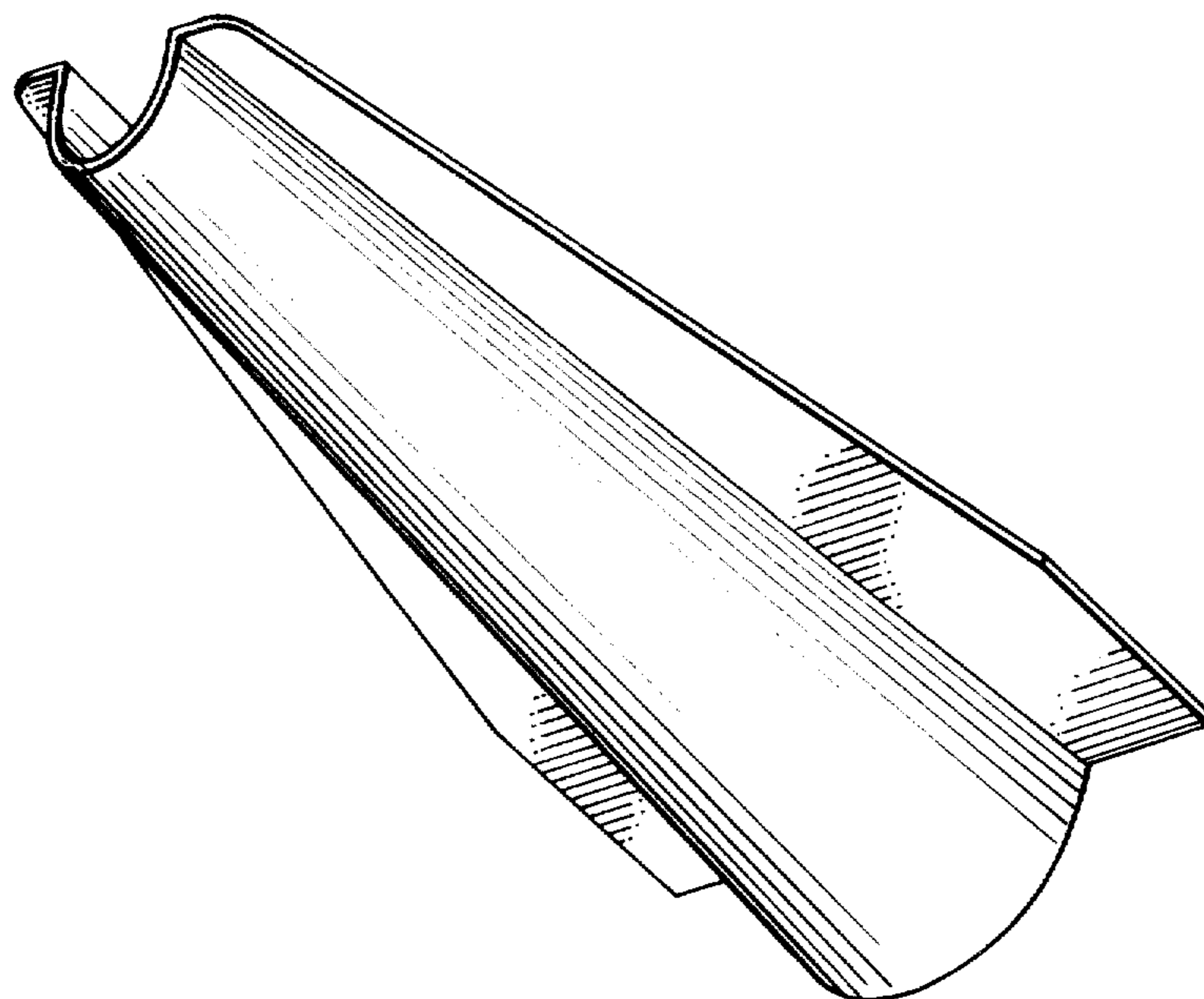


Fig. 1

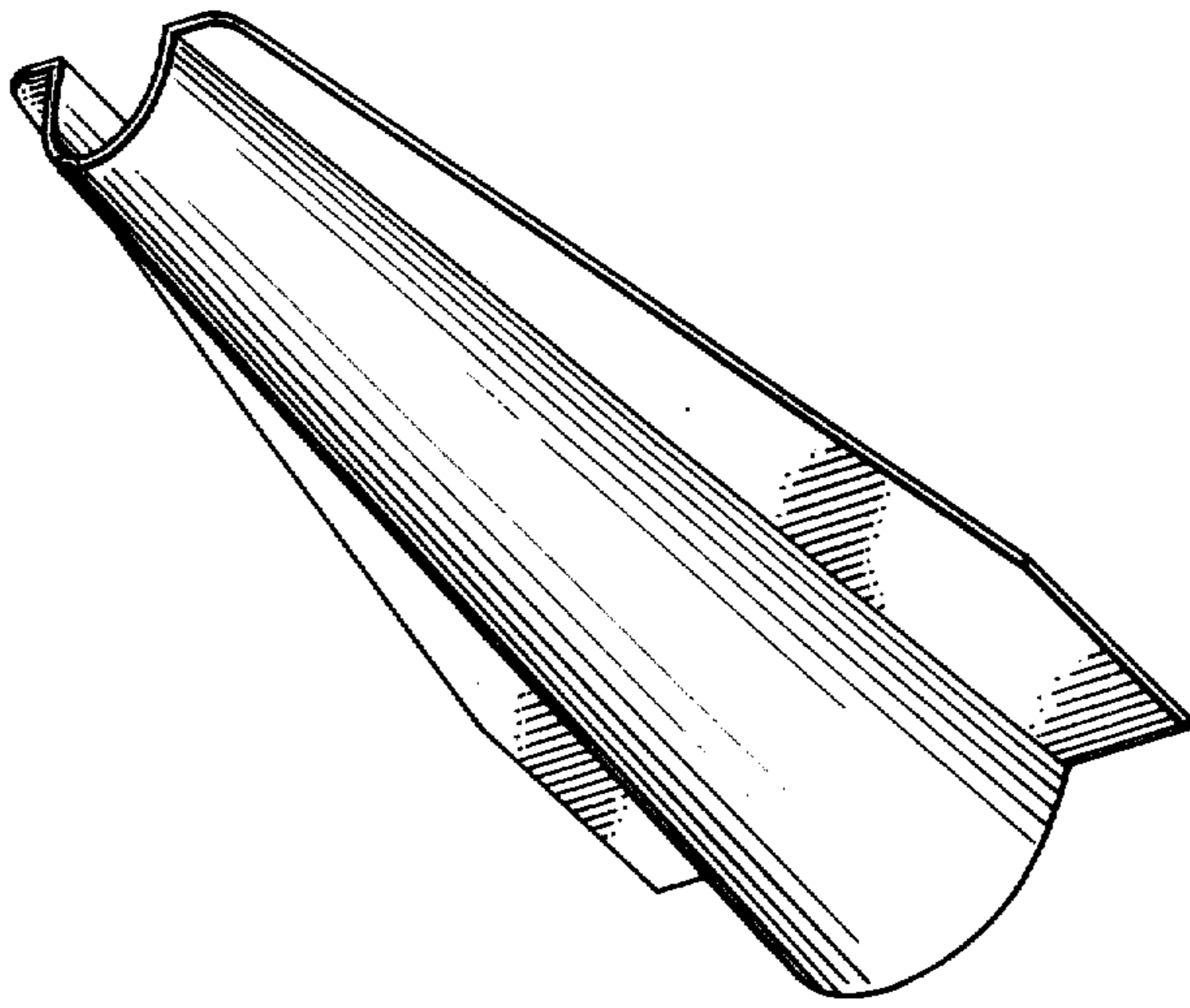


Fig. 2

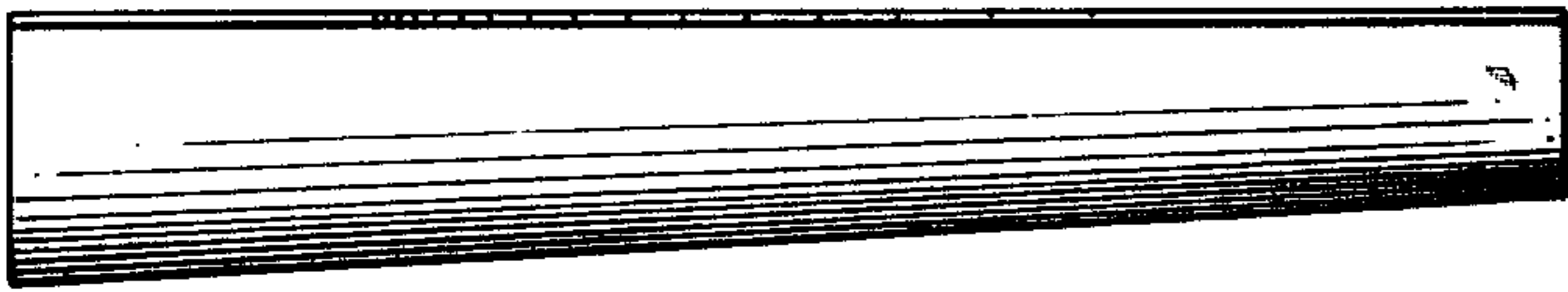


Fig. 3

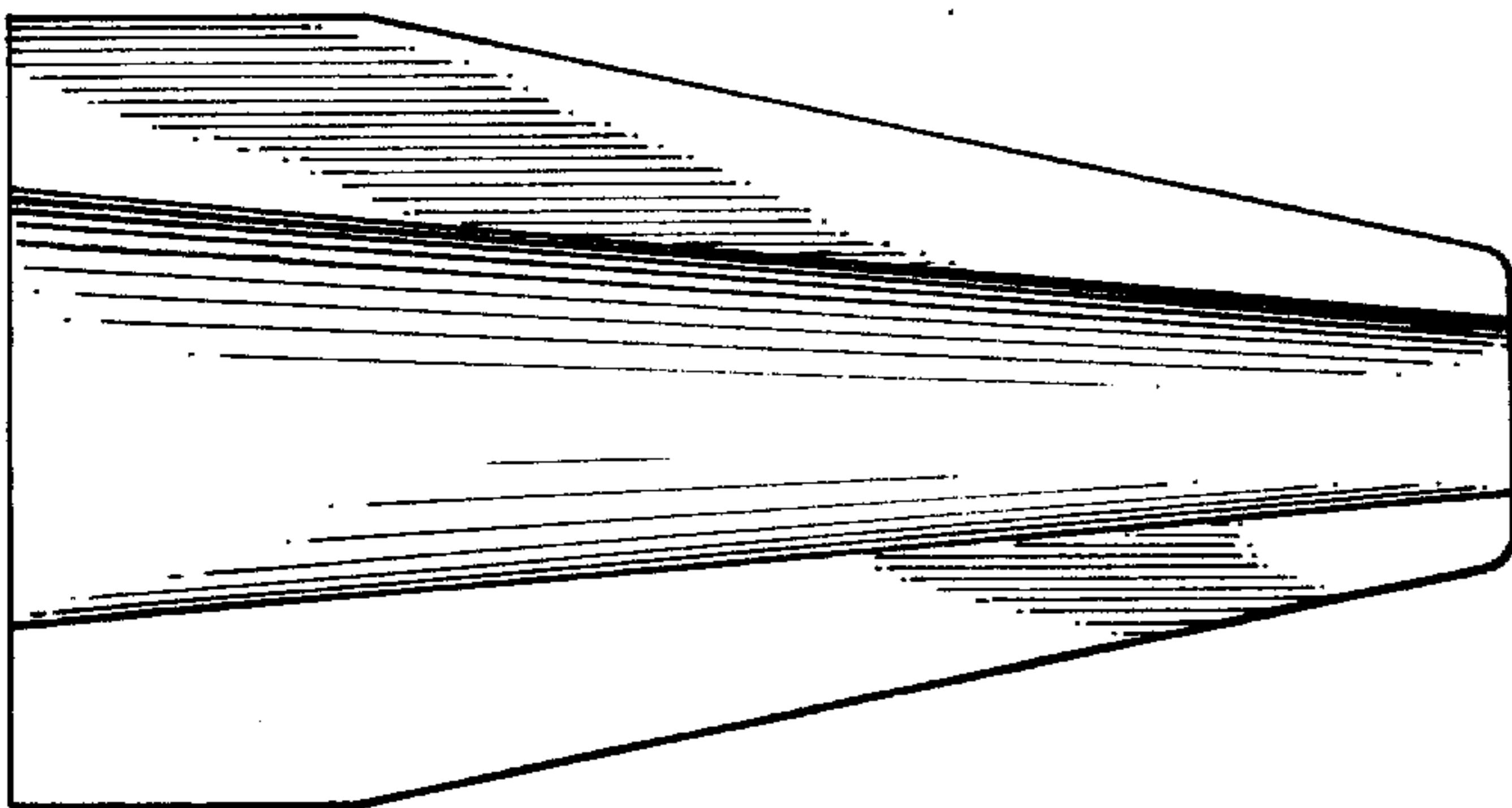
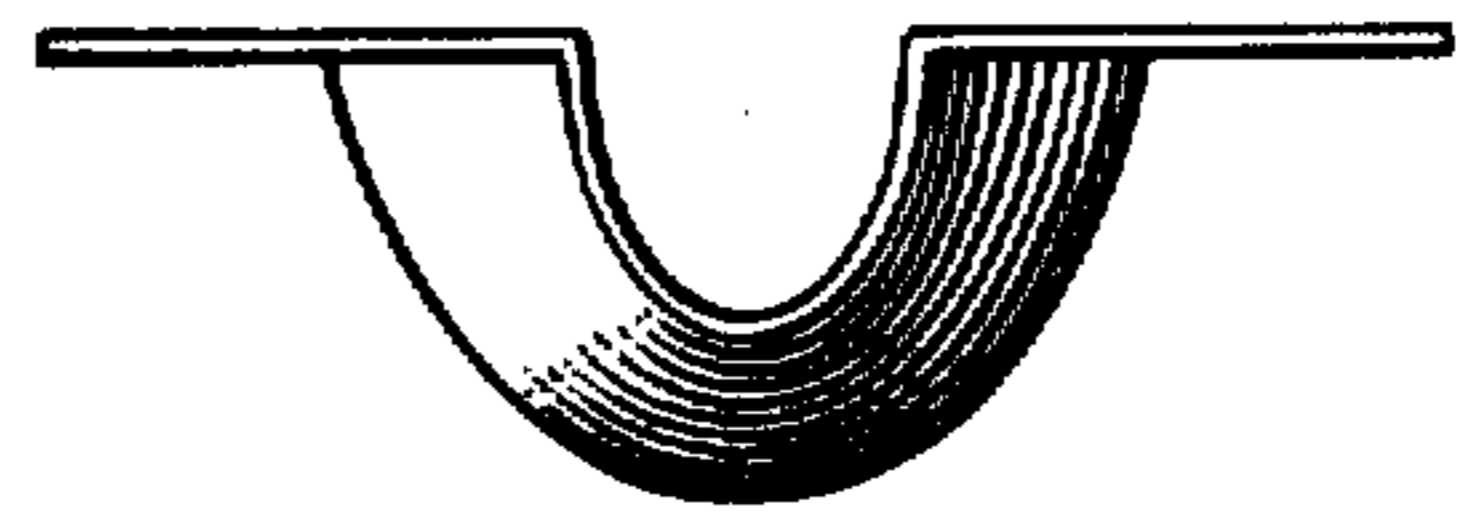


Fig. 4