

[54] GAME HOUSING

[75] Inventor: Hiromi Takahashi, Tokyo, Japan

[73] Assignee: Tomy Kogyo Co., Inc., Tokyo, Japan

[**] Term: 14 Years

[21] Appl. No.: 114,188

[22] Filed: Jan. 22, 1980

[30] Foreign Application Priority Data
Jul. 23, 1979 [JP] Japan 54/30795

[51] Int. Cl. D21-01
[52] U.S. Cl. D21/12; D21/59
[58] Field of Search D21/59, 5, 27, 12;
273/1 L

[56]

References Cited

U.S. PATENT DOCUMENTS

D. 226,861 5/1973 Matsumoto D21/5

OTHER PUBLICATIONS

Tomy 1976, Cat., p. 18, Waterfals.

Primary Examiner—Melvin B. Feifer
Attorney, Agent, or Firm—K. H. Boswell; Edward D. O'Brian

[57]

CLAIM

The ornamental design for a game housing, as shown and described.

DESCRIPTION

FIG. 1 is a front perspective view of a game housing showing my new design;
FIG. 2 is a side elevational view thereof shown in FIG. 1;
FIG. 3 is a rear elevational view thereof shown in FIG. 1; and
FIG. 4 is a bottom plan view thereof shown in FIG. 1.

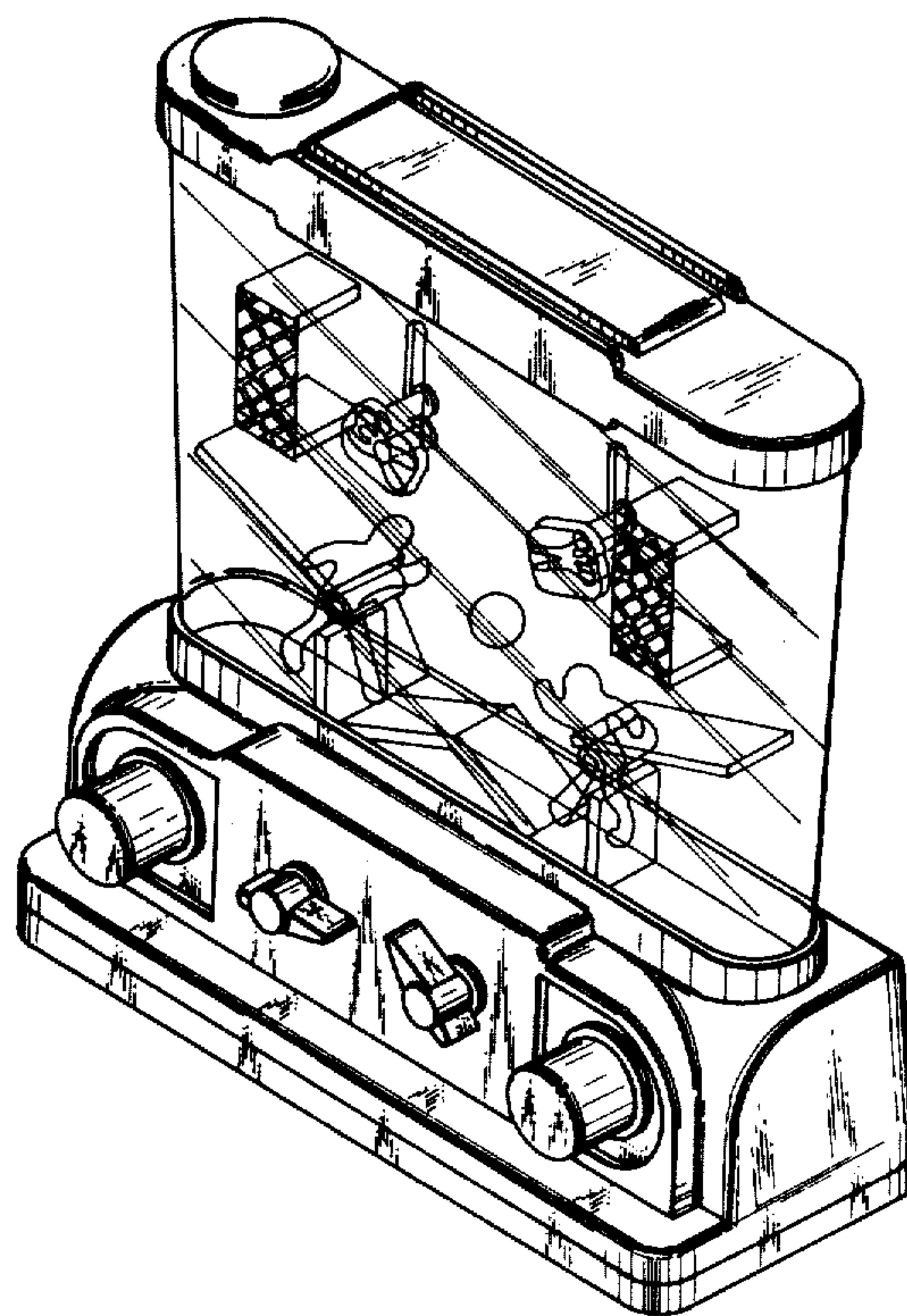


FIG. 1

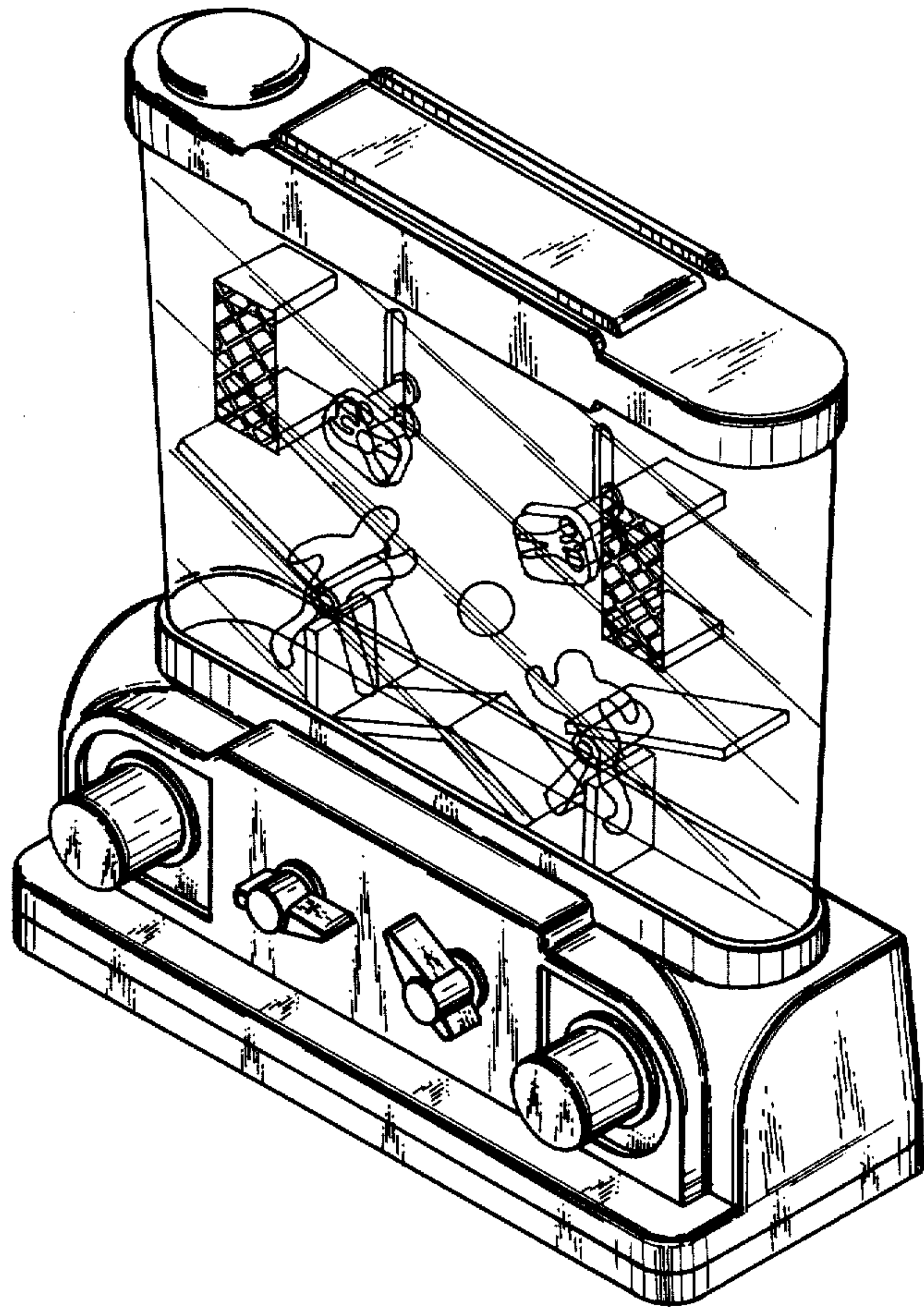


FIG. 2

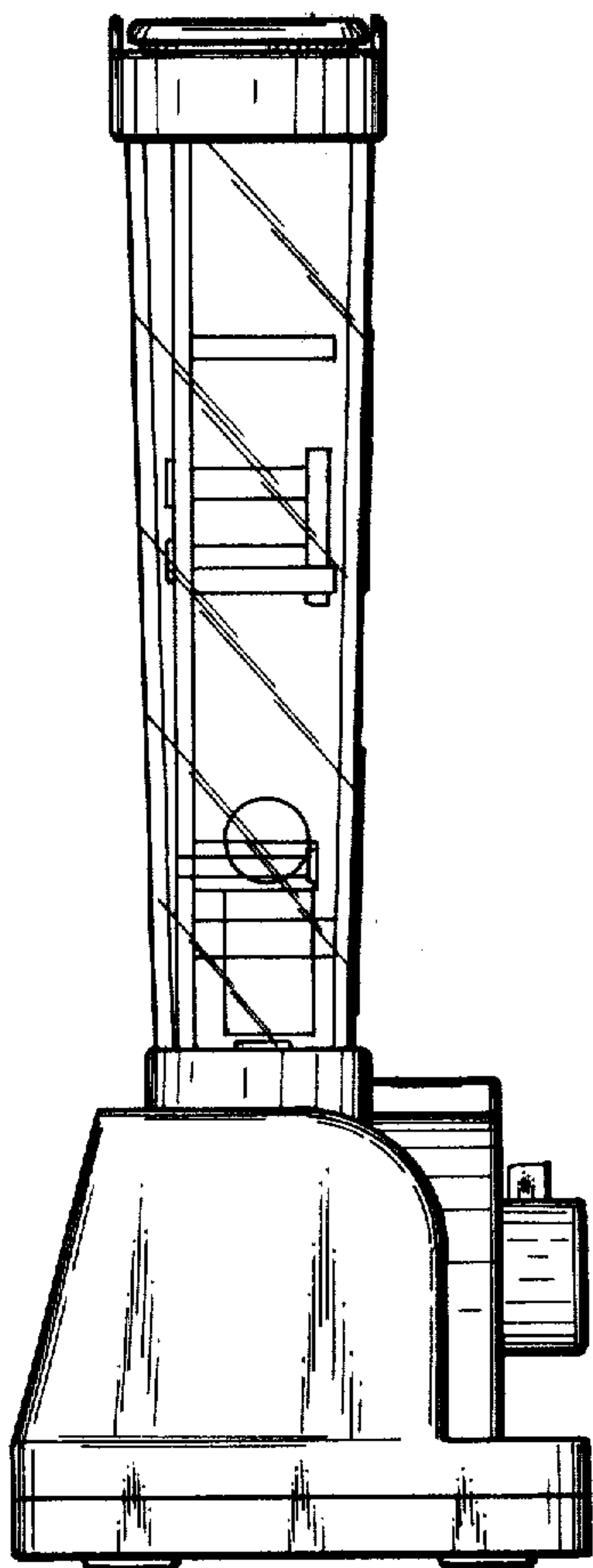


FIG. 3

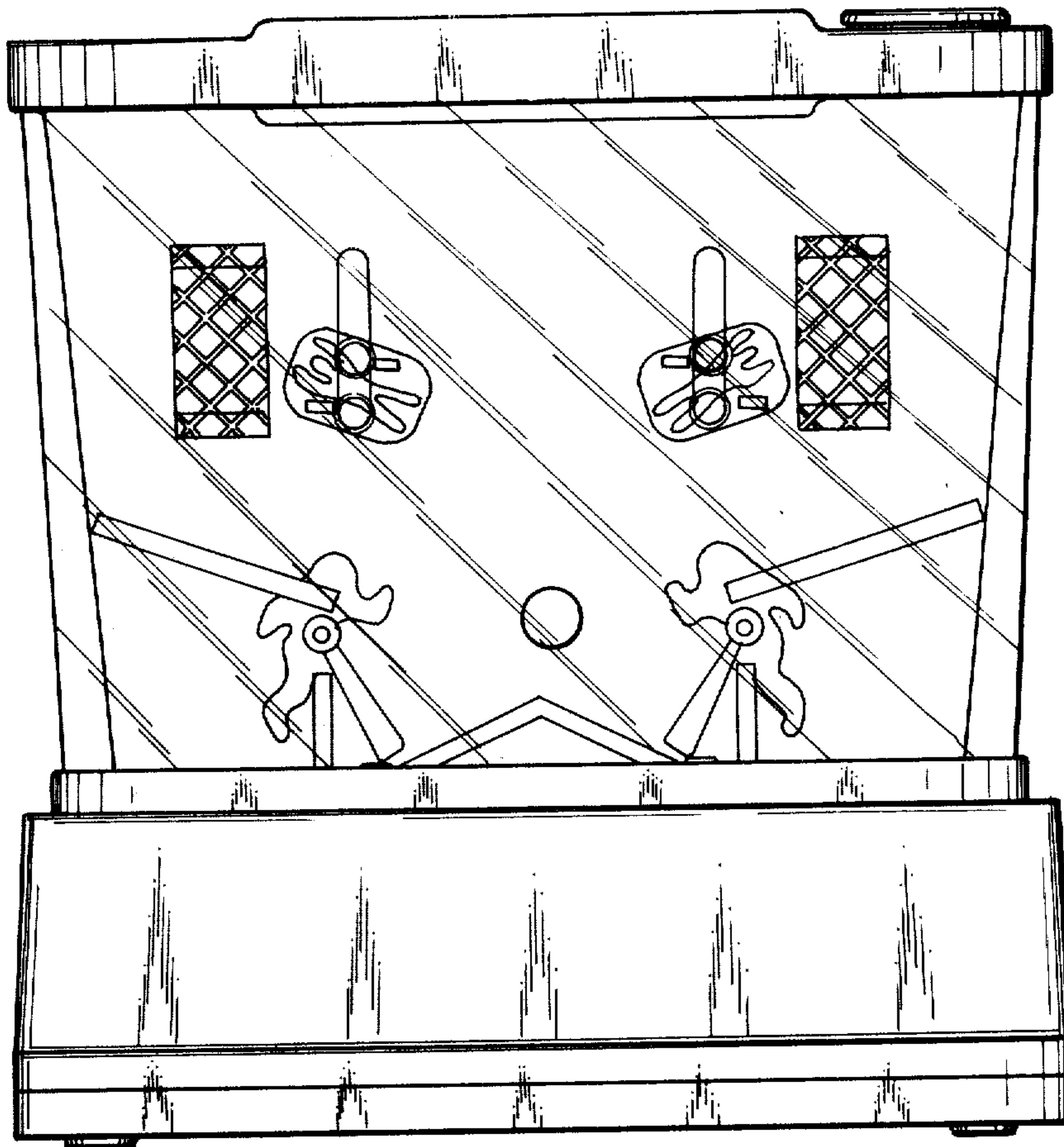


FIG. 4

