

[54] INKROLLER SET

[75] Inventor: Tadayoshi Shimodaira, Shiojiri, Japan

[73] Assignees: Kabushiki Kaisha Suwa Seikosha, Tokyo; Shinshu Seiki Kabushiki Kaisha, Nagano, both of Japan

[**] Term: 14 Years

[21] Appl. No.: 98,086

[22] Filed: Nov. 28, 1979

[30] Foreign Application Priority Data

May 30, 1979 [JP] Japan 54-22057

[51] Int. Cl. D18-99

[52] U.S. Cl. D18/22

[58] Field of Search D18/12, 18, 22; 101/288, 348; 401/15

[56]

References Cited

U.S. PATENT DOCUMENTS

D. 248,055 5/1978 MacGregor D18/22
D. 250,061 10/1978 Sato D18/18
3,274,637 9/1966 Schulze 401/15 X

FOREIGN PATENT DOCUMENTS

2709494 9/1977 Fed. Rep. of Germany 101/288

Primary Examiner—Louis S. Zarfes
Attorney, Agent, or Firm—Blum, Kaplan, Friedman, Silberman & Beran

[57]

CLAIM

The ornamental design for an inkroller set, as shown and described.

DESCRIPTION

FIG. 1 is a perspective view of an inkroller set showing my new design;
FIG. 2 is a top plan view thereof;
FIG. 3 is a front elevational view thereof;
FIG. 4 is a bottom plan view thereof; and
FIG. 5 is a side elevational view thereof, both sides being symmetrical

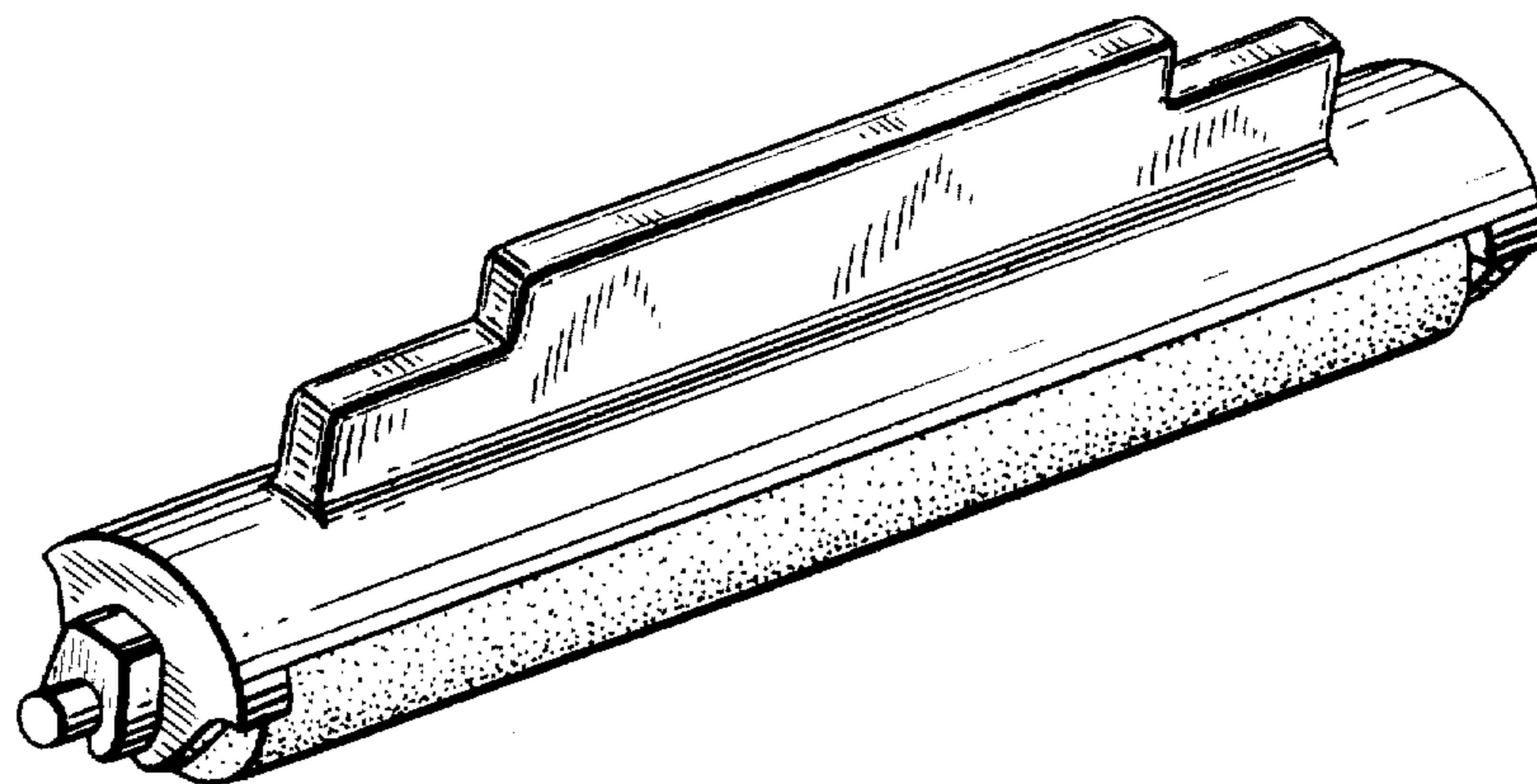


FIG. 1

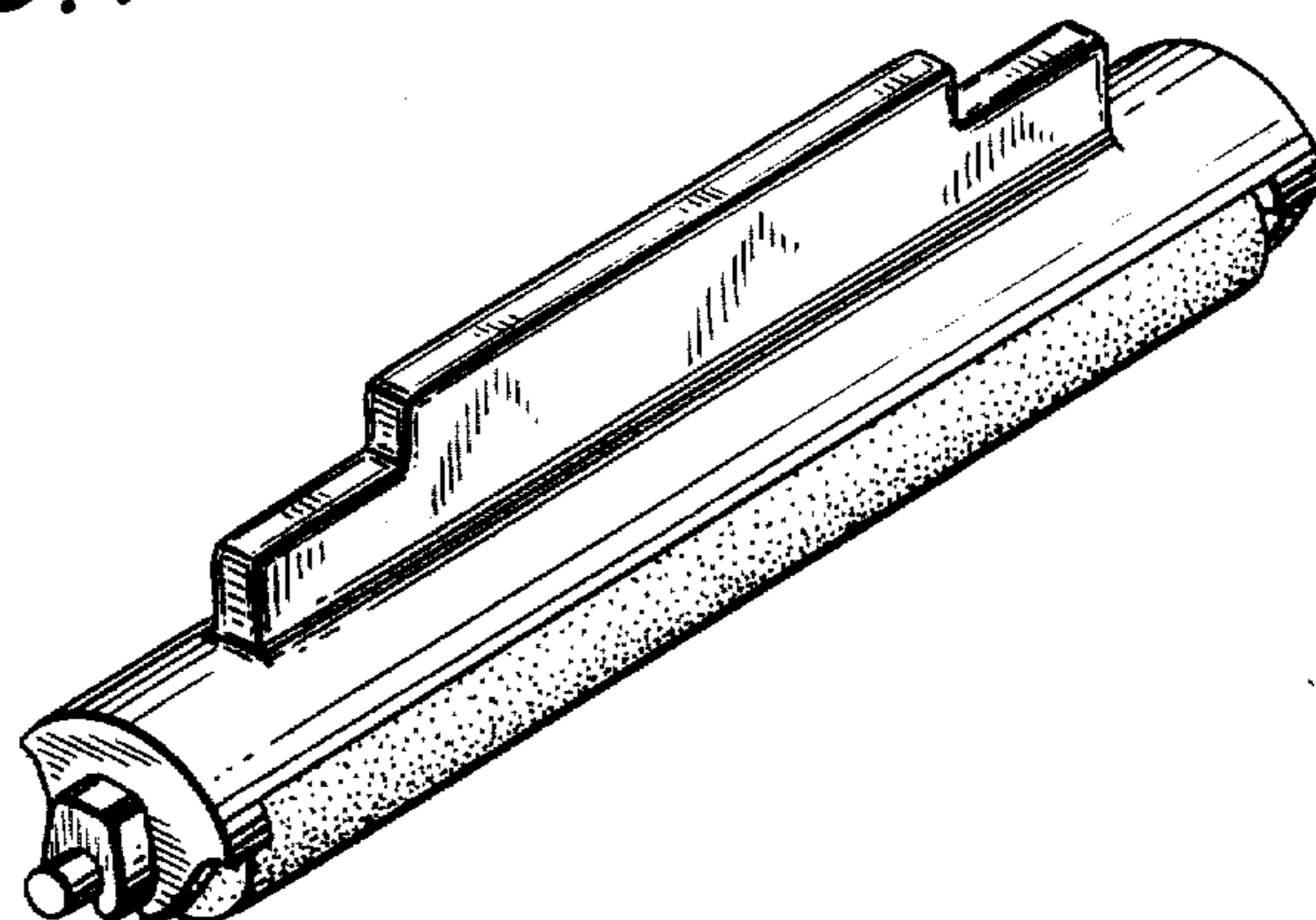


FIG. 2

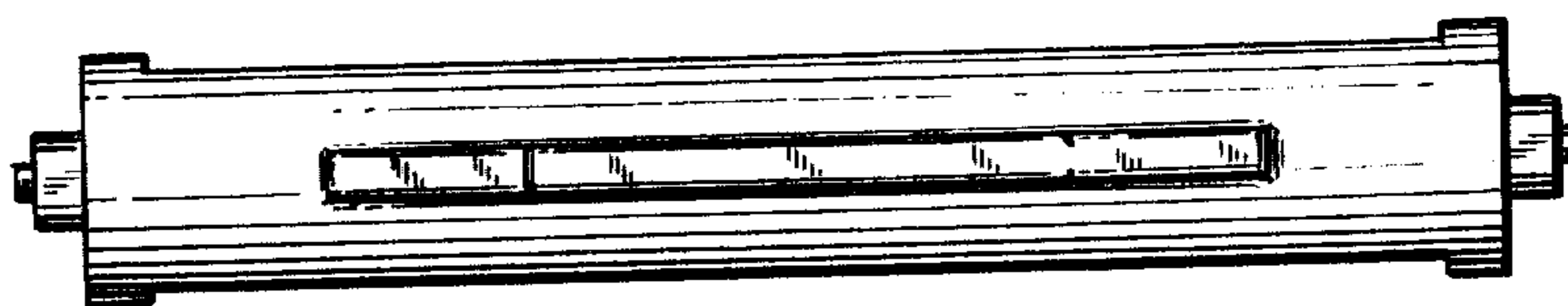


FIG. 3

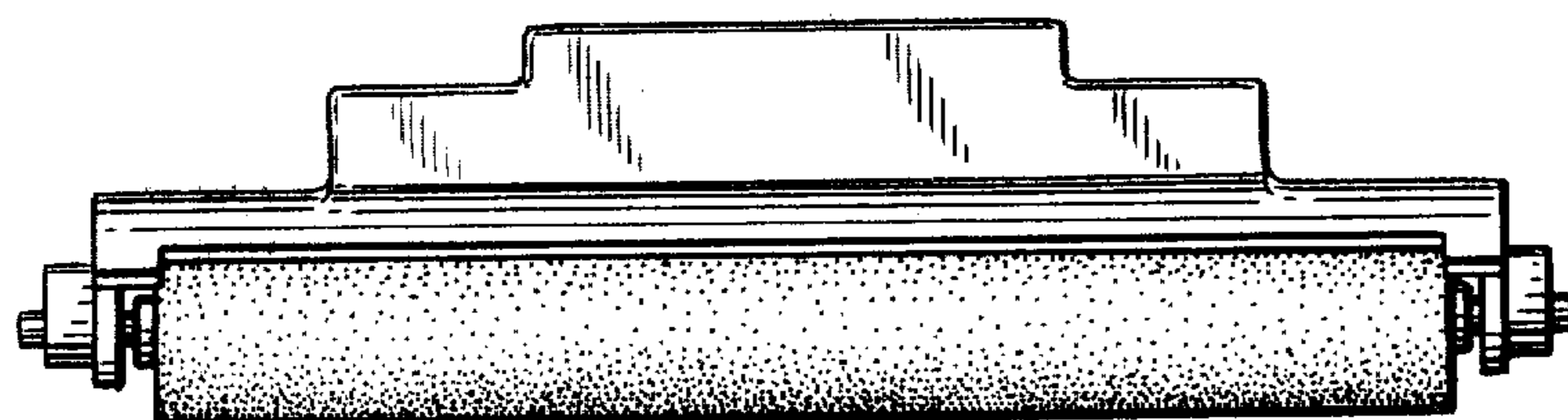


FIG. 4

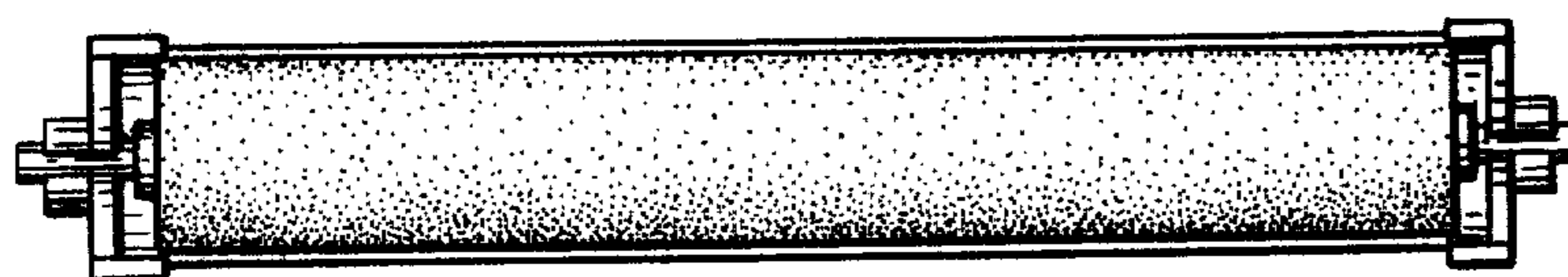


FIG. 5

