

[54] ELECTROPHOTOGRAPHIC APPARATUS

[75] Inventor: Yoshiki Furukawa, Yokohama, Japan

[73] Assignee: Canon Kabushiki Kaisha, Tokyo, Japan

[**] Term: 14 Years

[21] Appl. No.: 17,278

[22] Filed: Mar. 5, 1979

[51] Int. Cl. D16-03

[52] U.S. Cl. D16/31

[58] Field of Search D16/27-32; 355/3 R, 3 DD, 3 P, 8, 9

[56] References Cited

U.S. PATENT DOCUMENTS

D. 251,912	5/1979	Nakade	D16/31
4,017,170	4/1977	Komori et al.	355/3 R
4,211,482	7/1980	Arai et al.	355/8

Primary Examiner—Peter M. Caun
Attorney, Agent, or Firm—Fitzpatrick, Cella, Harper & Scinto

[57] CLAIM

The ornamental design for an electrophotographic apparatus, as shown and described.

DESCRIPTION

FIG. 1 is a front view of the electrophotographic apparatus;
 FIG. 2 is a rear view thereof;
 FIG. 3 is a top plan view thereof;
 FIG. 4 is a bottom plan view thereof;
 FIG. 5 is a side elevational view as seen from the left of FIG. 1;
 FIG. 6 is a side elevational view as seen from the right of FIG. 1;
 FIG. 7 is a cross sectional view without internal structures taken in the direction of the arrows as shown in FIG. 3 along lines 7—7;
 FIG. 8 is a cross sectional view without internal structures taken in the direction of the arrows as shown in FIG. 3 along lines 8—8; and
 FIG. 9, a perspective view wherein the electrophotographic apparatus is loaded with paper cassettes and the cover is opened.

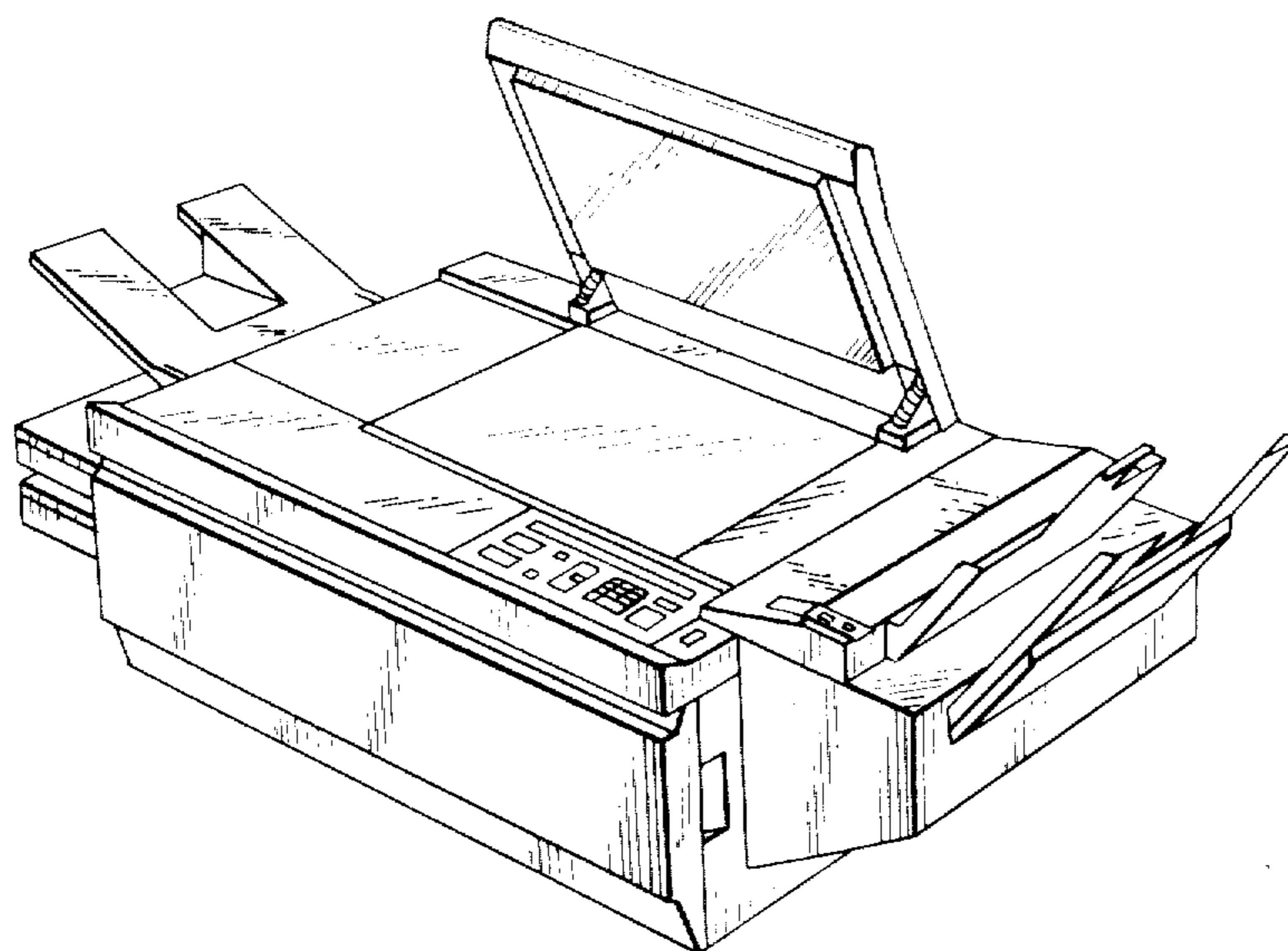


FIG. 1

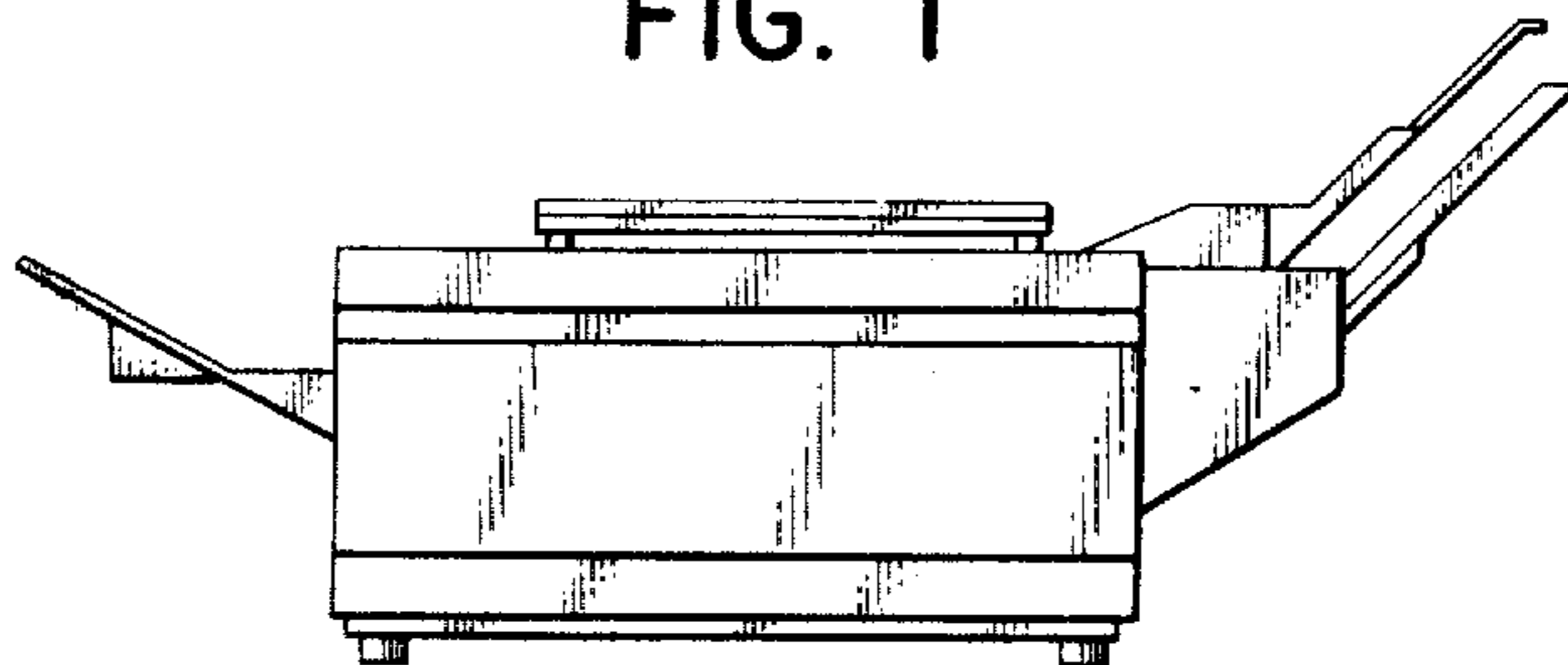


FIG. 2

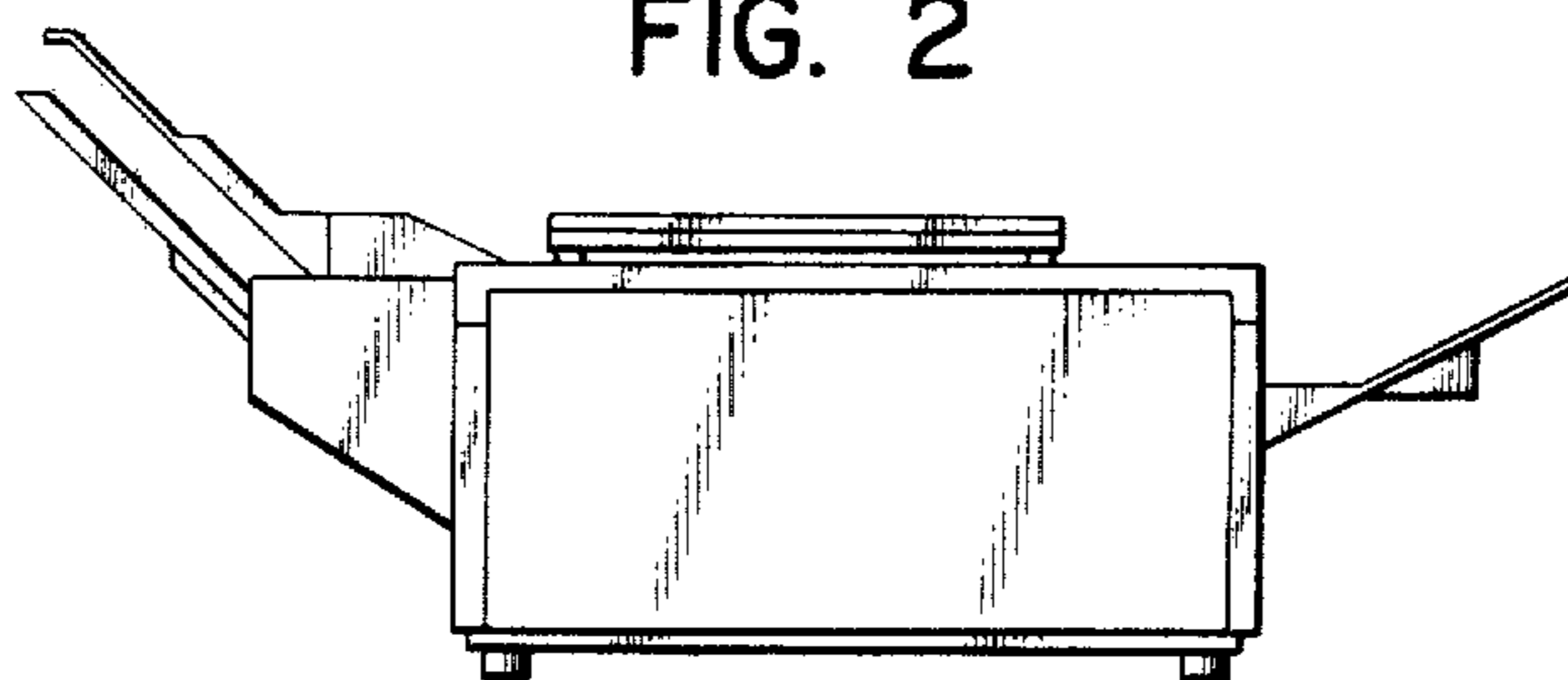


FIG. 3

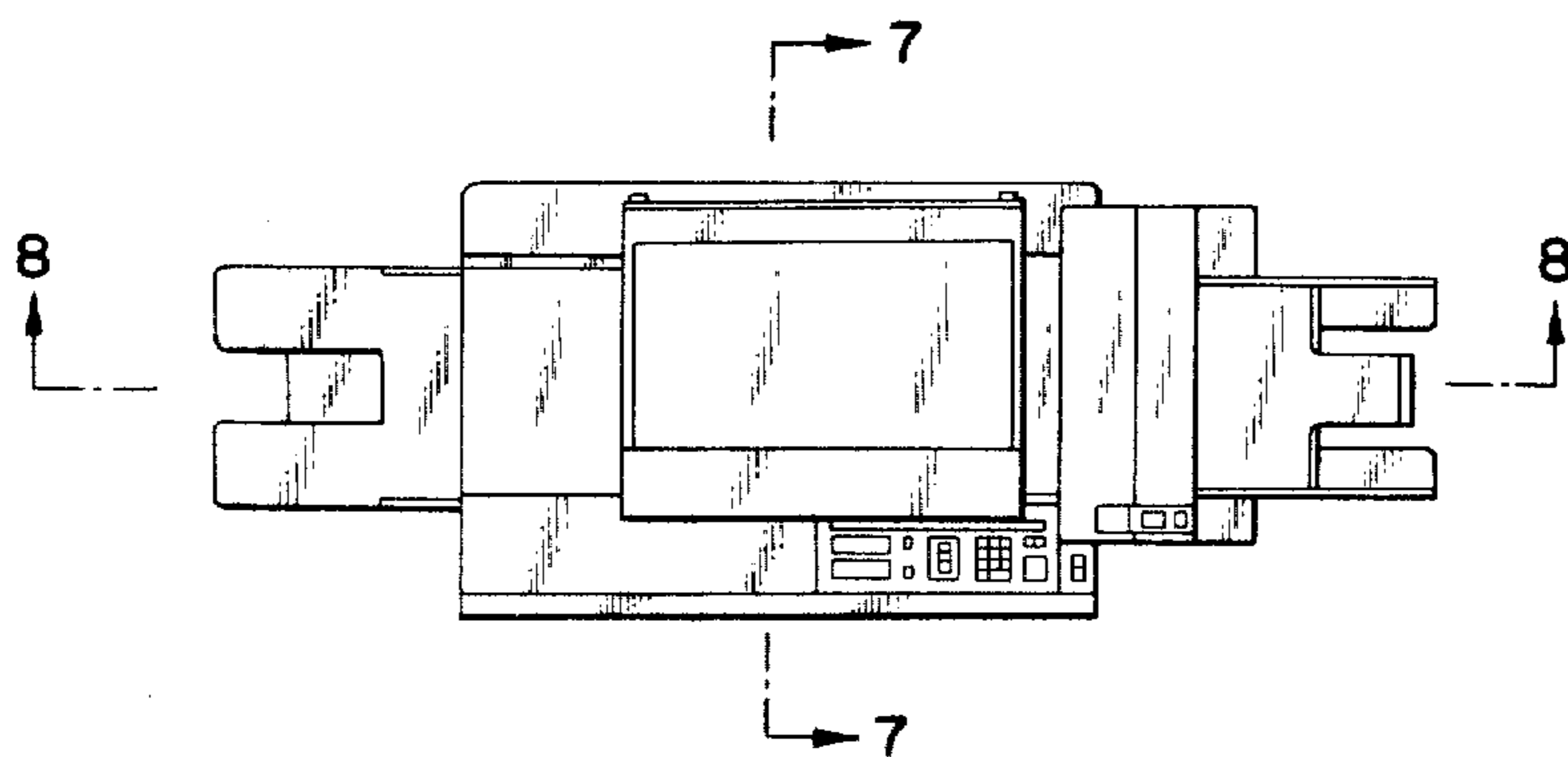


FIG. 4

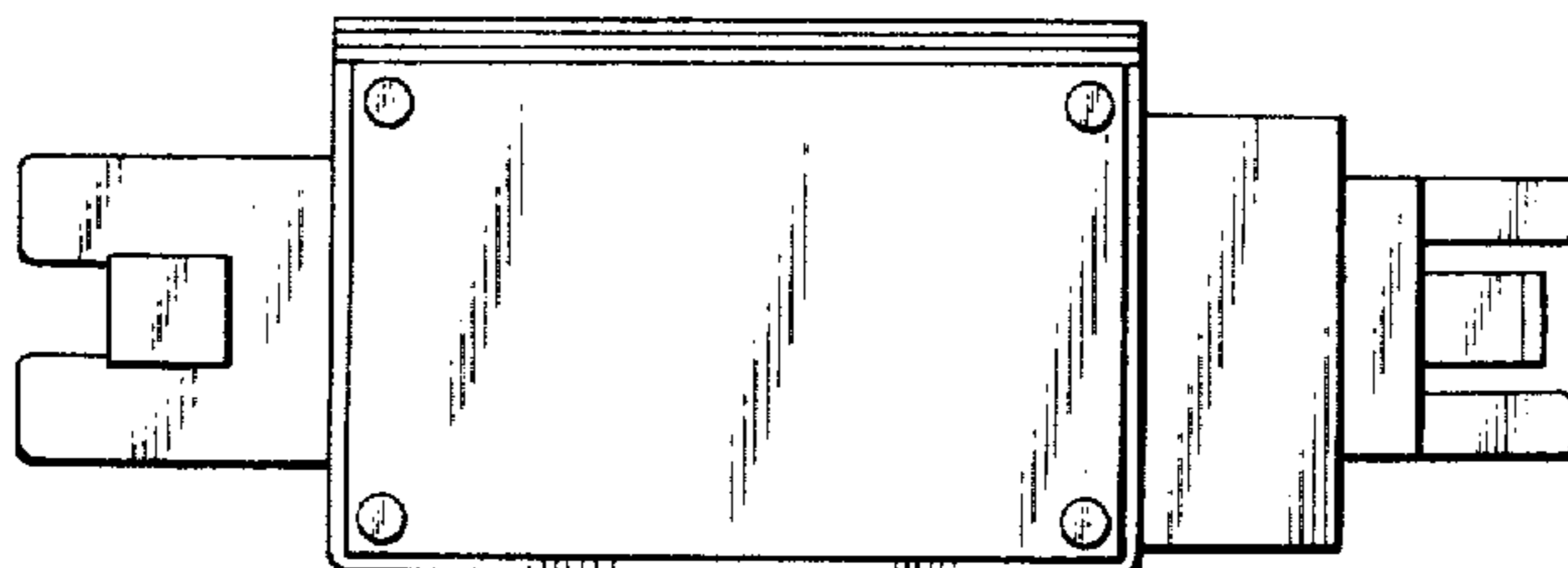


FIG. 5

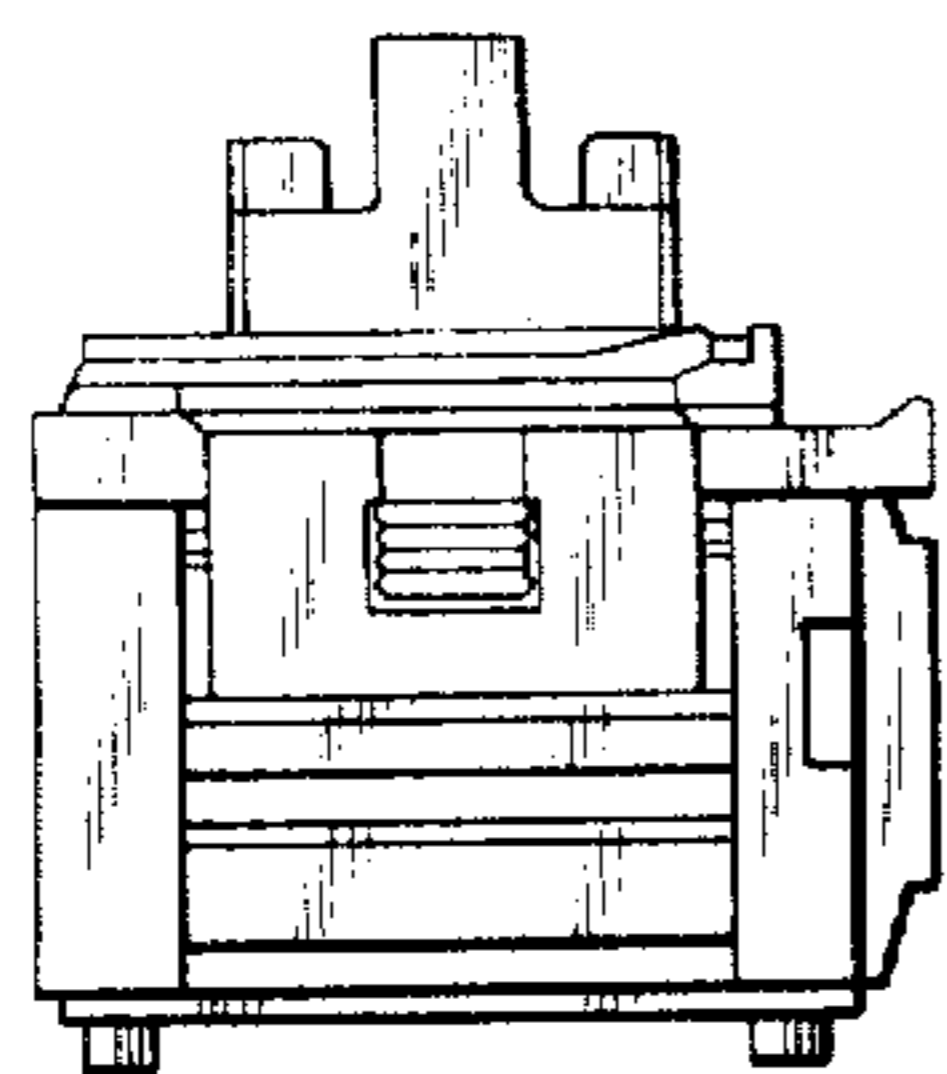


FIG. 6

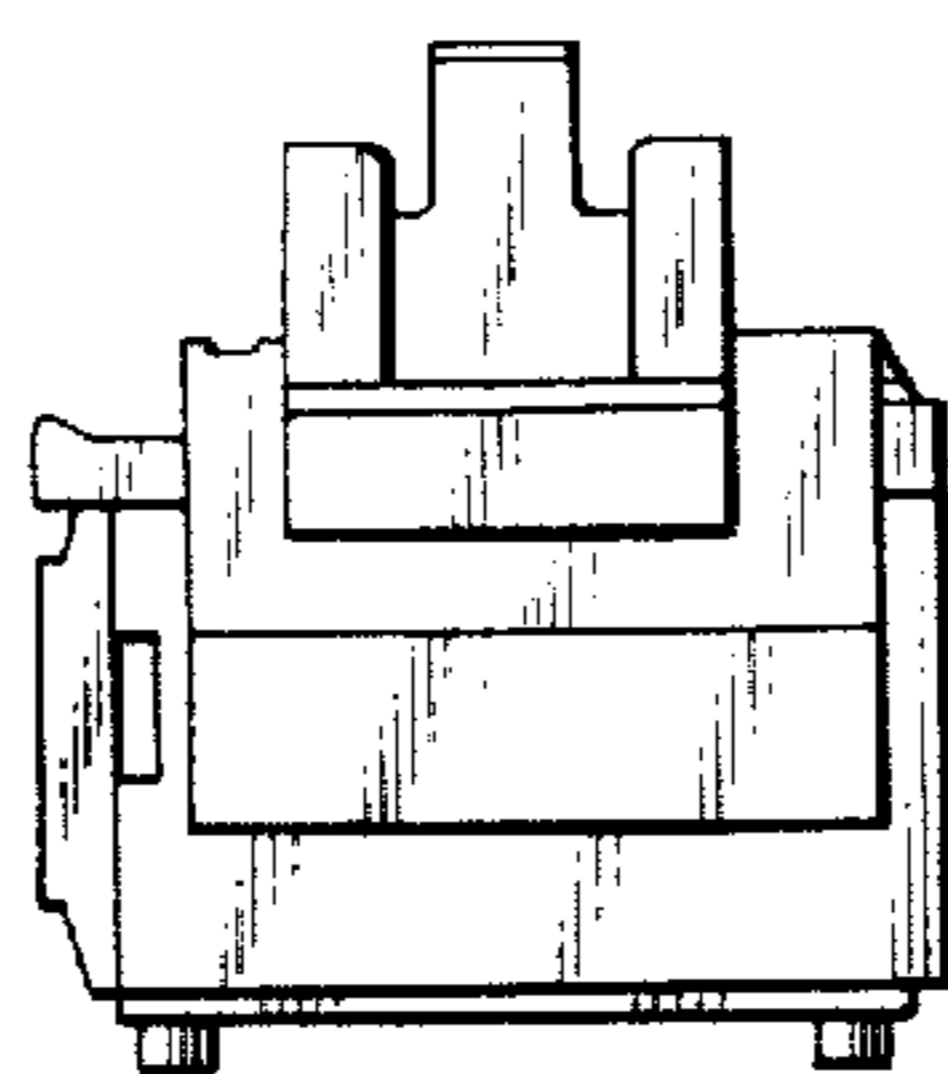


FIG. 7

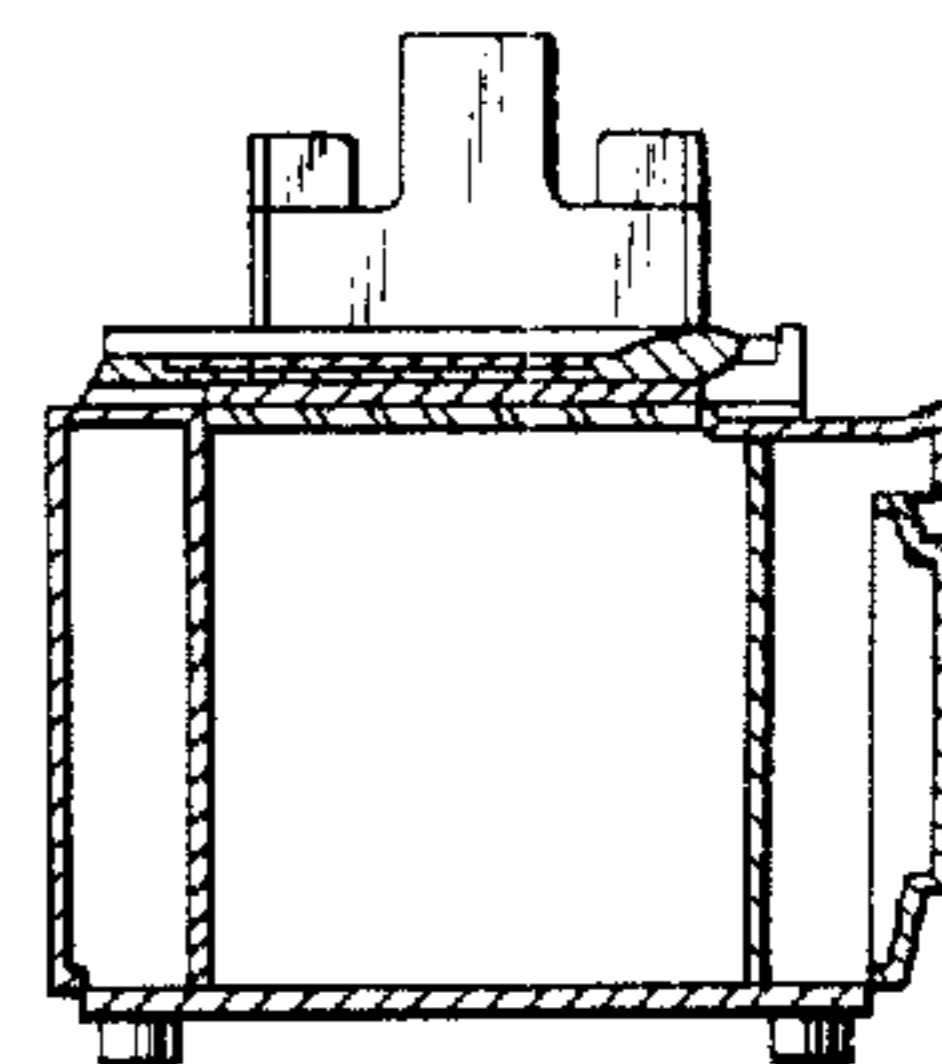


FIG. 8

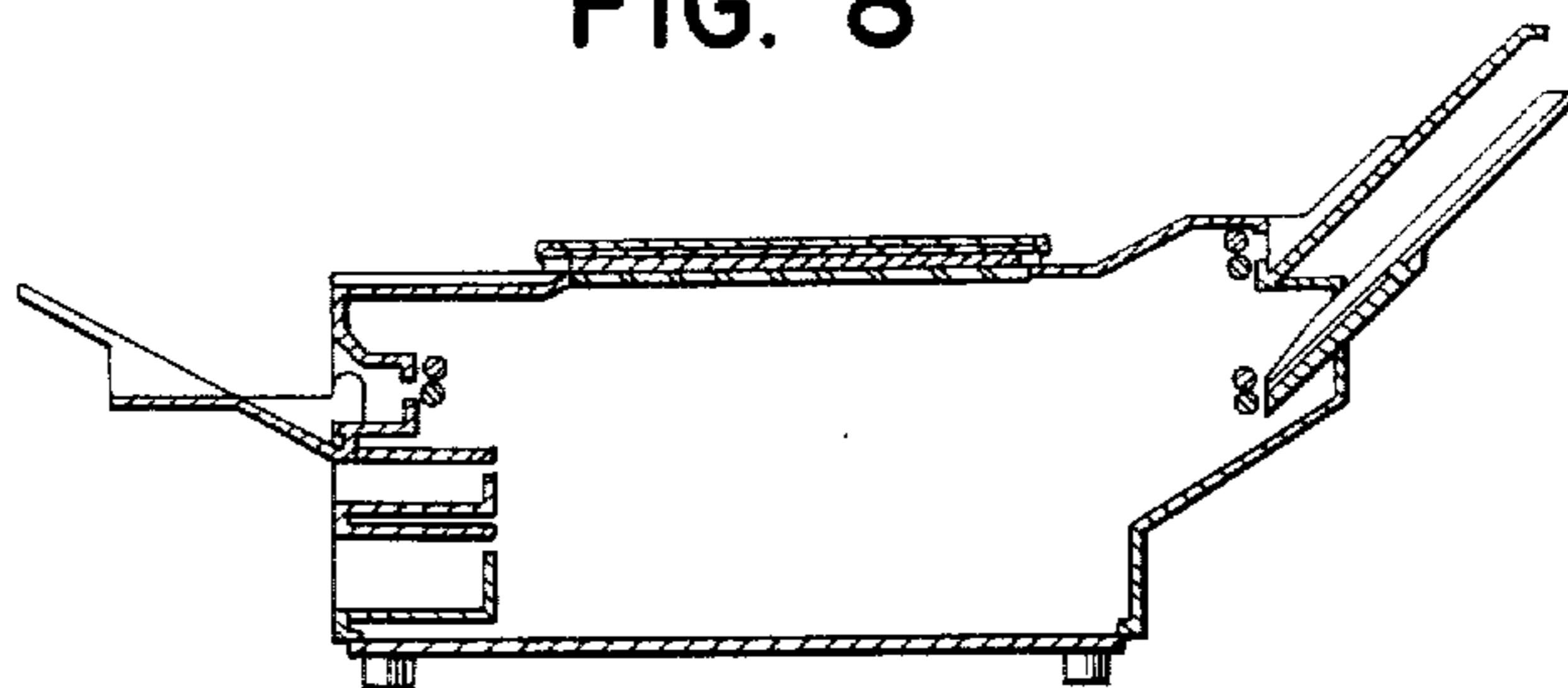


FIG. 9

