

[54] CUTTER BIT

[76] Inventor: Will M. Lassiter, 1703 Deep River Rd., High Point, N.C. 27260

[\*\*] Term: 14 Years

[21] Appl. No.: 7,100

[22] Filed: Jan. 29, 1979

[51] Int. Cl. .... D15-09

[52] U.S. Cl. .... D15/139

[58] Field of Search ..... D15/127, 130, 131, 132, D15/139; 407/30, 33, 54, 55, 57, 60-62, 113, 114, 117; 408/72 R, 79, 115 R, 204, 207; 144/219, 193 R, 193 D, 193 G, 240-241

[56] References Cited

U.S. PATENT DOCUMENTS

- D. 246,524 11/1977 Lauber ..... D15/139
- 395,285 12/1888 Manning ..... 144/219

- 1,063,995 6/1913 Mintz ..... 407/54
- 1,409,258 3/1922 Stenger ..... 144/219
- 1,702,812 2/1929 Cochran ..... 407/57
- 3,344,497 10/1967 Osborne ..... 144/219
- 4,145,159 3/1979 Yamada et al. .... 144/219

Primary Examiner—B. J. Bullock

[57] CLAIM

The ornamental design for a cutter bit, as shown and described.

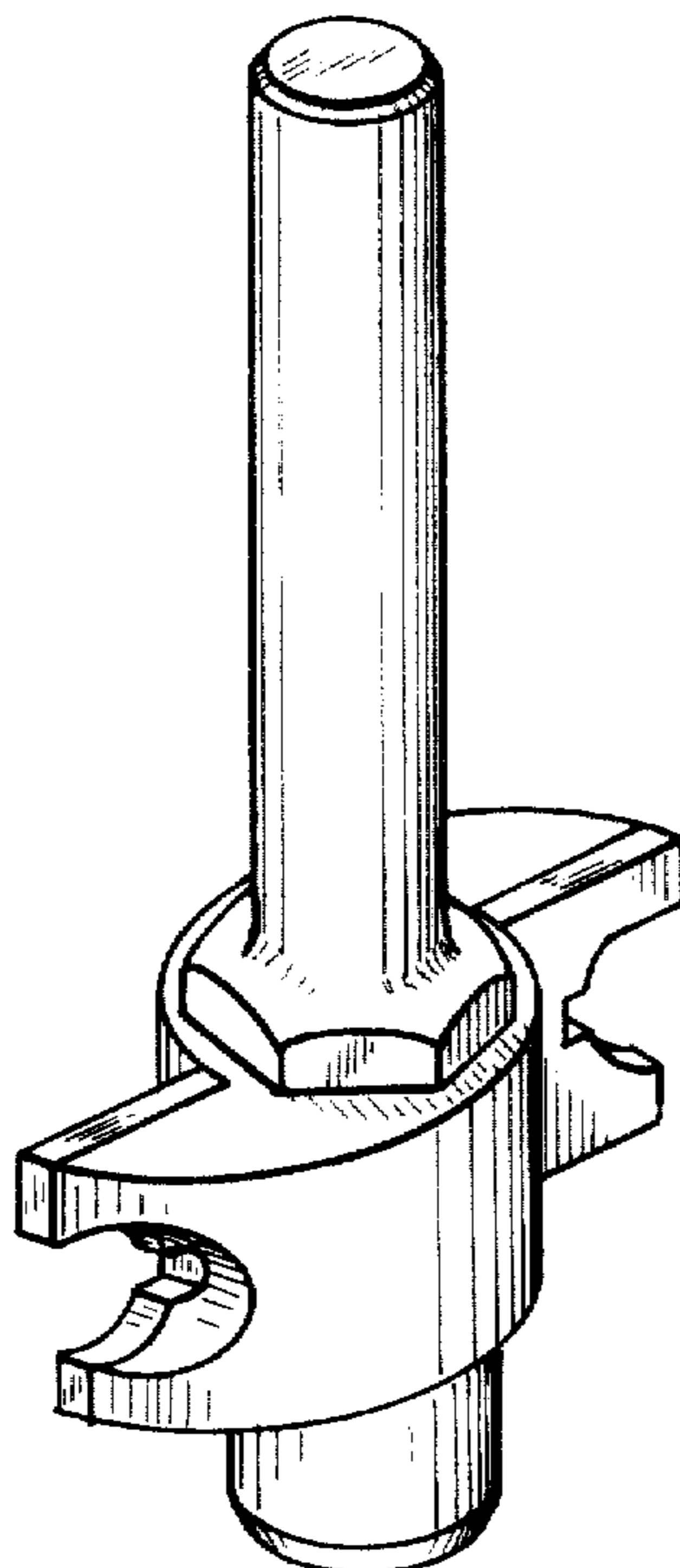
DESCRIPTION

FIG. 1 is a front elevational view of a cutting bit embodying my new design, the rear view being a mirror image thereof;

FIG. 2 is a side elevational view taken from the right of FIG. 1, the side opposite being a mirror image thereof; and

FIG. 3 is a bottom plan view thereof;

FIG. 4 is a perspective view thereof.



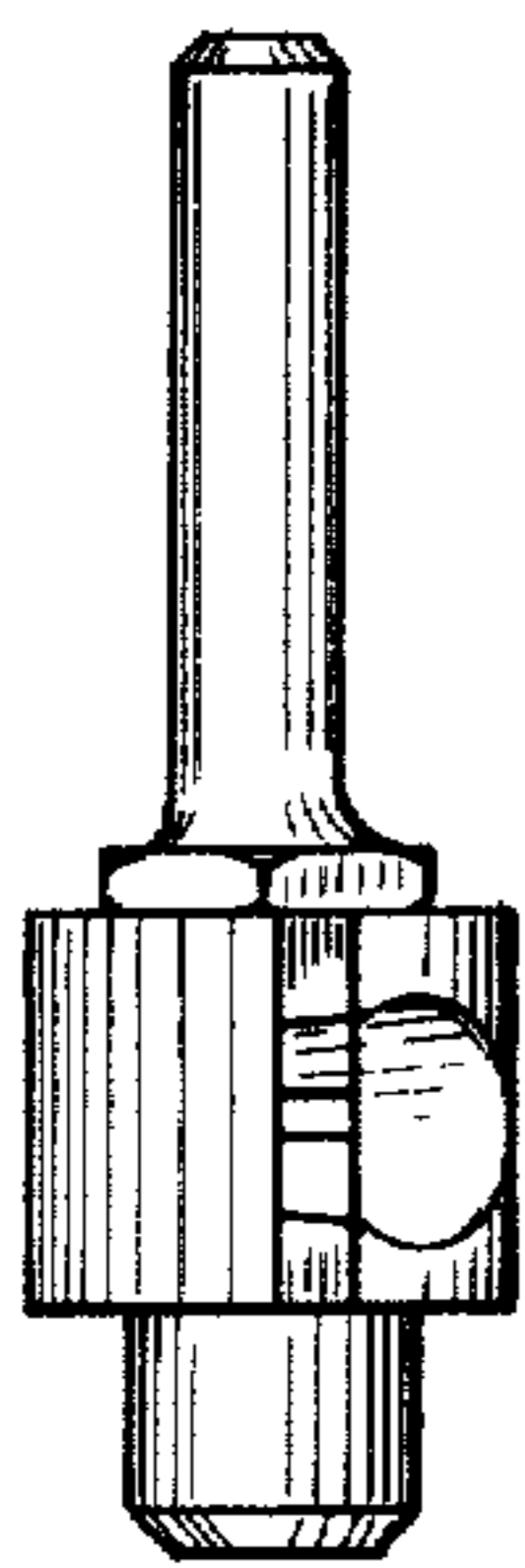


FIG. 1

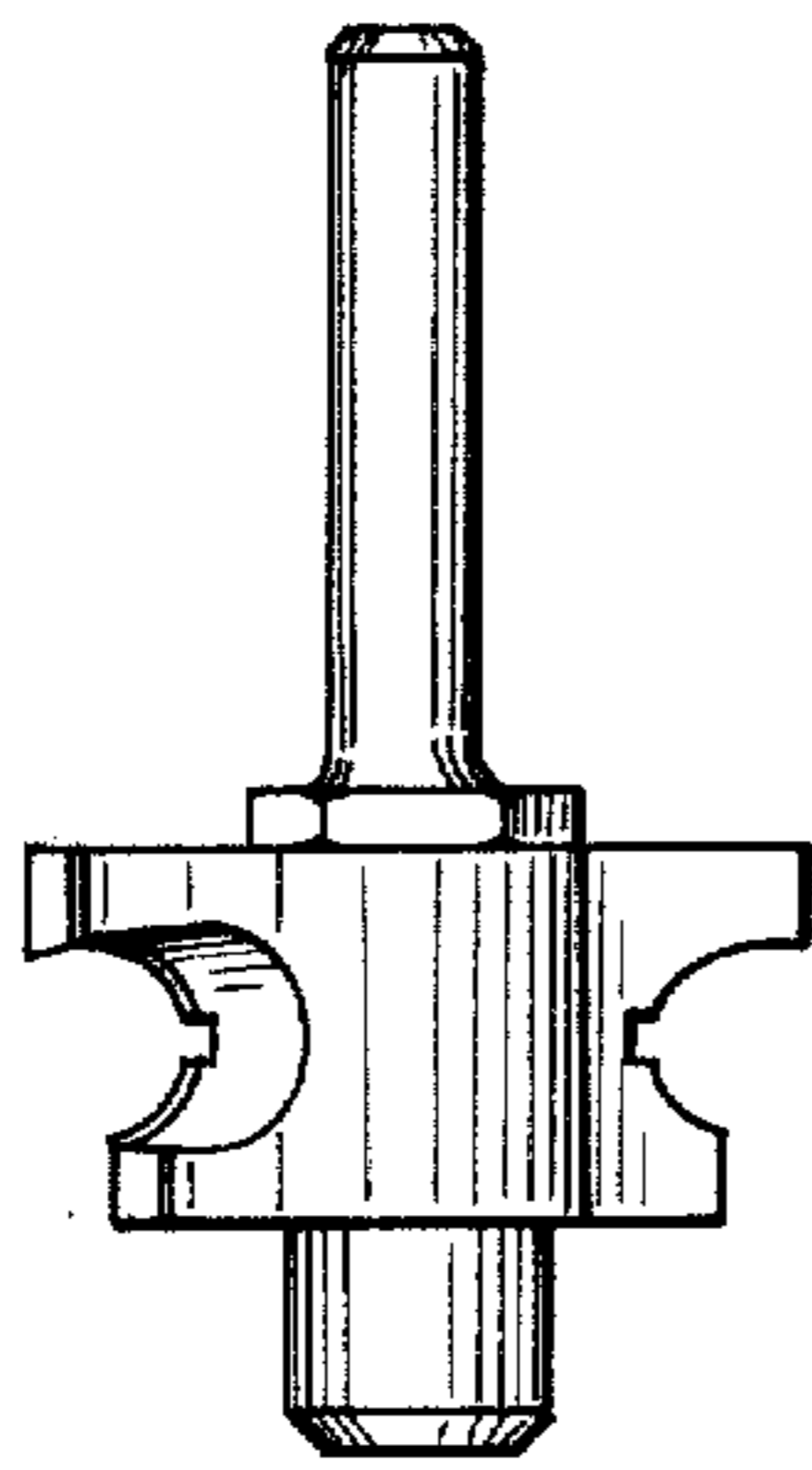


FIG. 2

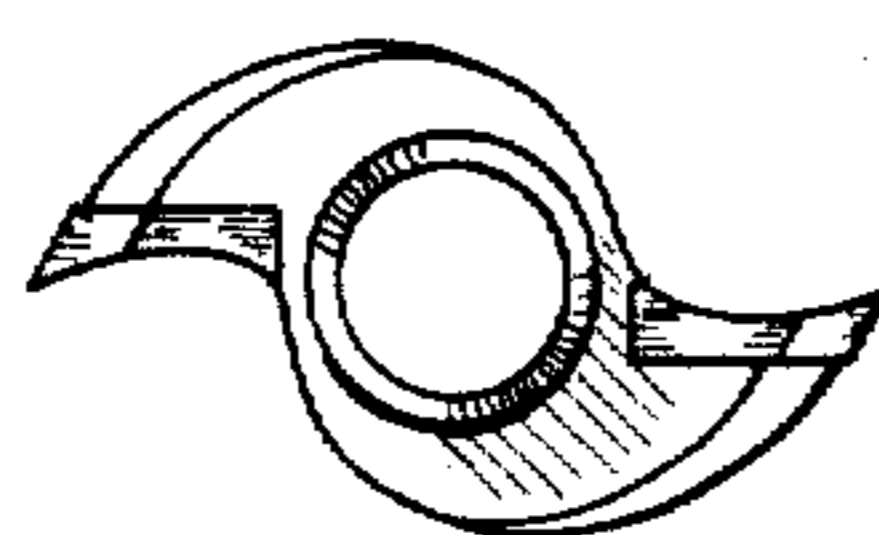


FIG. 3

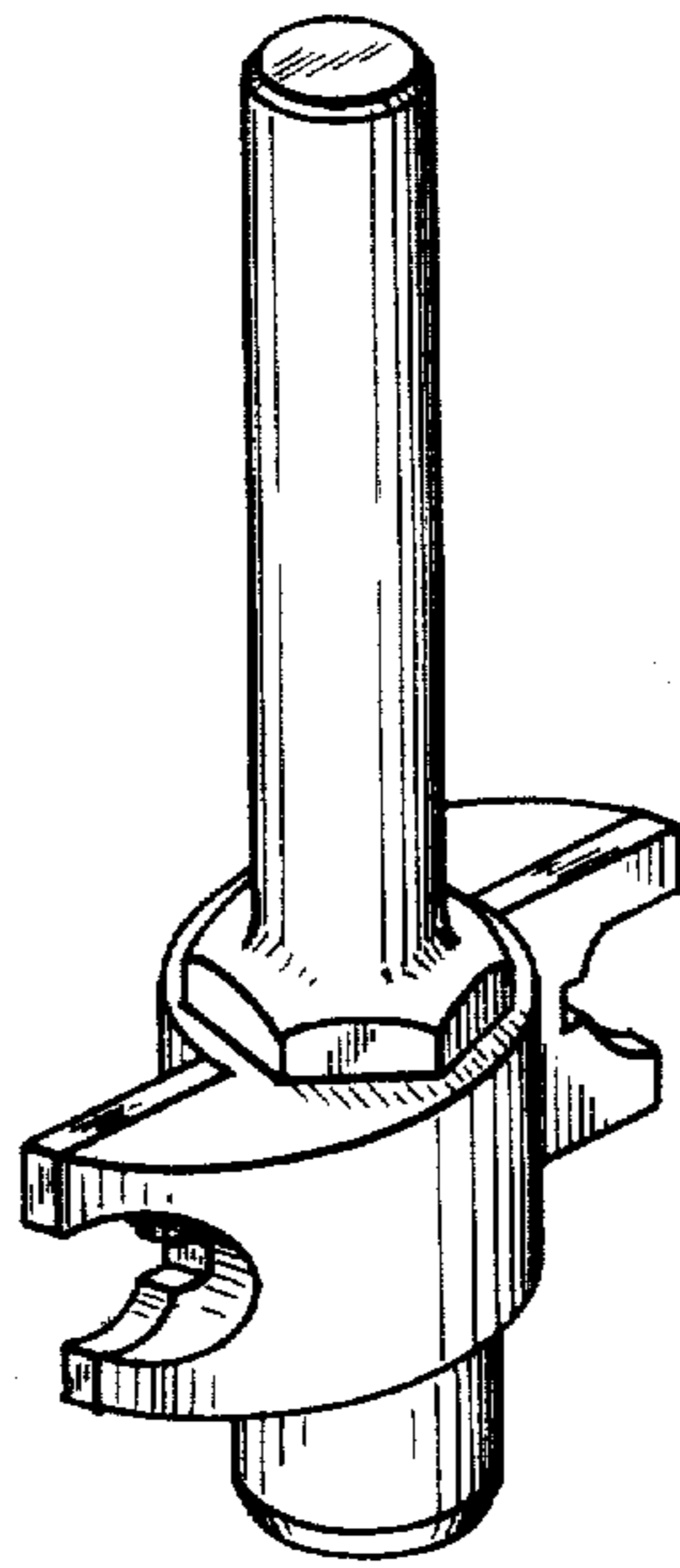


FIG. 4