

[54] BAKING OVEN OR SIMILAR ARTICLE

[56] References Cited

[75] Inventors: Leif A. T. Johansson, Huddinge; Nils G. Pers; Staffan Lundgren, both of Upplands-Väsby, all of Sweden

U.S. PATENT DOCUMENTS

D. 128,502	7/1941	Scharsch	.....	D15/108
1,656,709	1/1928	Kelly	.....	99/386 X
1,662,847	3/1928	Cook	.....	99/386 X
3,491,679	1/1970	Kelly	.....	99/443 C X
4,244,285	1/1981	Baker	.....	99/339

[73] Assignee: Tipe Revent AB, Stockholm, Sweden

Primary Examiner—Catherine E. Kemper  
Attorney, Agent, or Firm—Hill, Van Santen, Steadman, Chiara & Simpson

[\*\*] Term: 14 Years

[57] CLAIM

[21] Appl. No.: 46,699

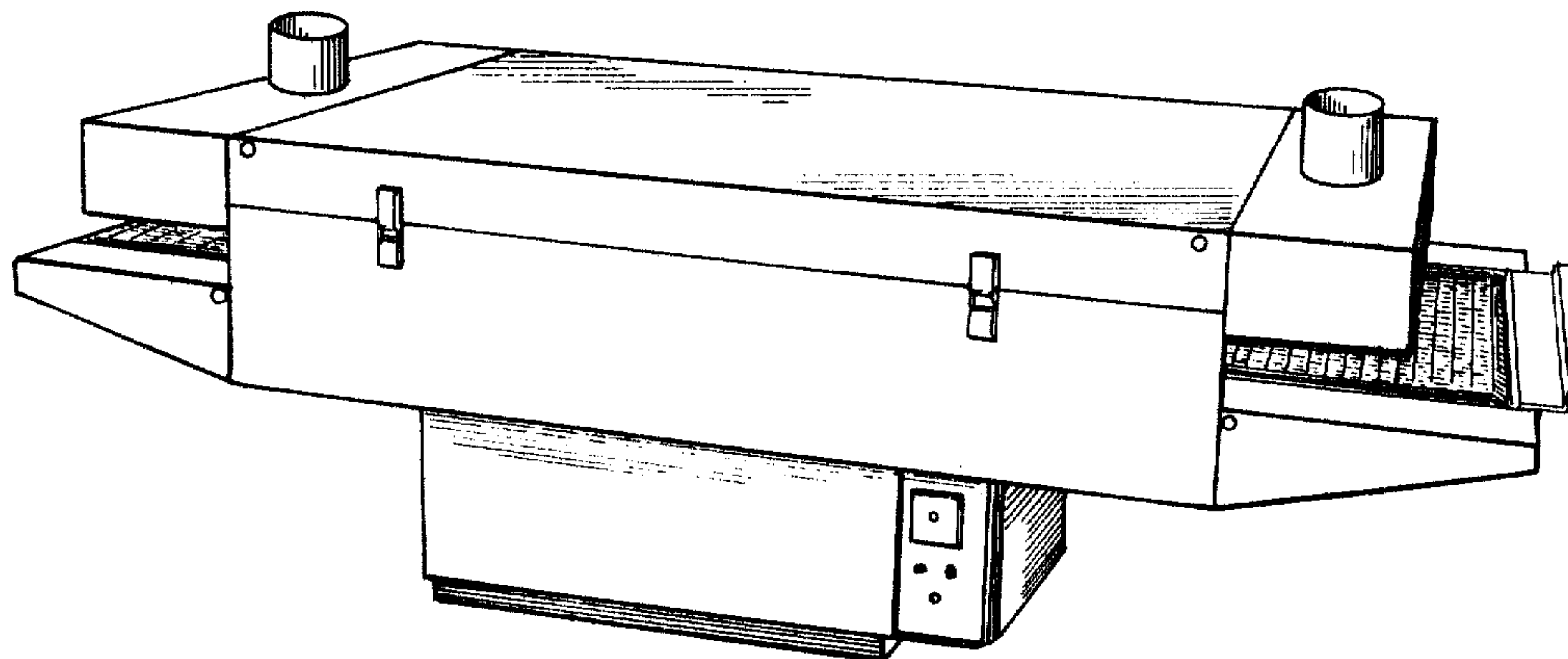
The ornamental design for a baking oven or similar article, as shown.

[22] Filed: Jun. 8, 1979

DESCRIPTION

[51] Int. Cl. .... D15-08  
[52] U.S. Cl. .... D15/104  
[58] Field of Search ..... D15/92, 104, 108, 109, D15/110; 99/325, 443 R, 443 C, 386, 339

FIG. 1 is a perspective view of a baking oven or similar article, showing our new design;  
FIG. 2 is an elevational view of the side opposite that shown in FIG. 1;  
FIG. 3 is an elevational view of the right end of FIG. 1;  
FIG. 4 is an elevational view of the left end of FIG. 1.



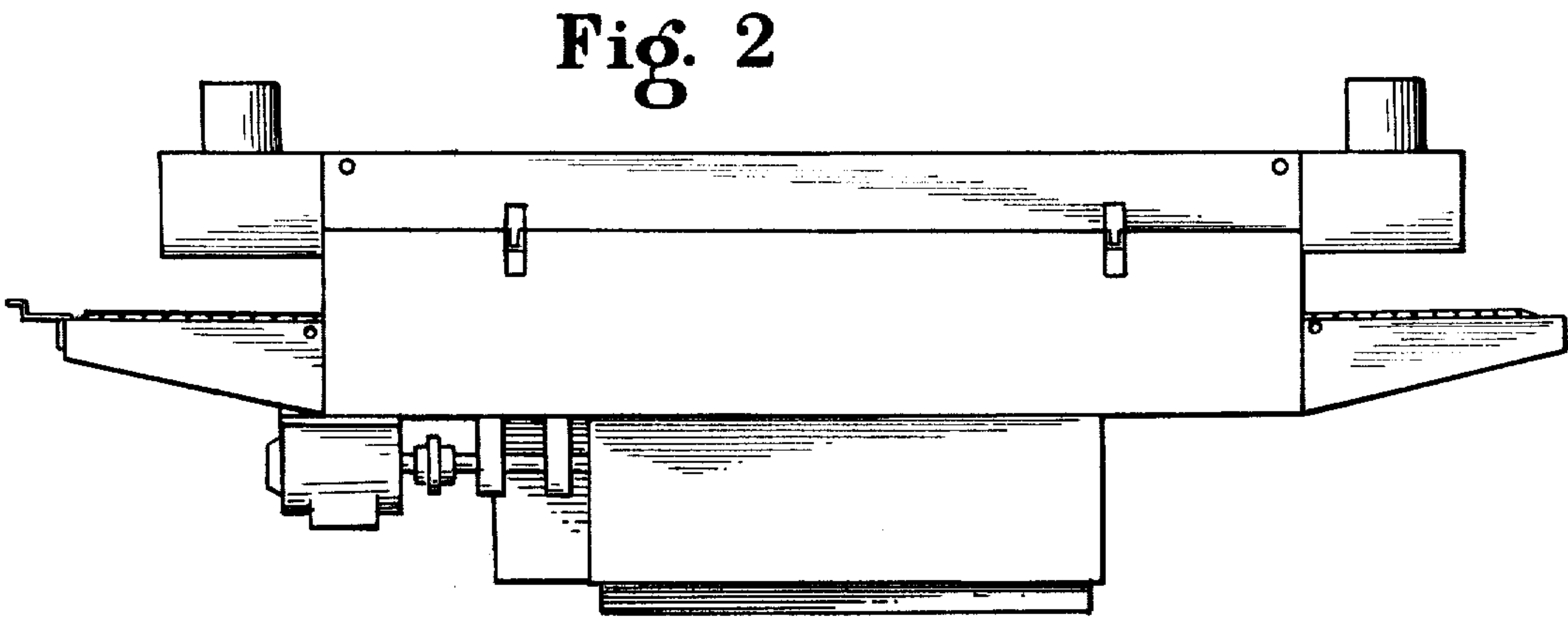
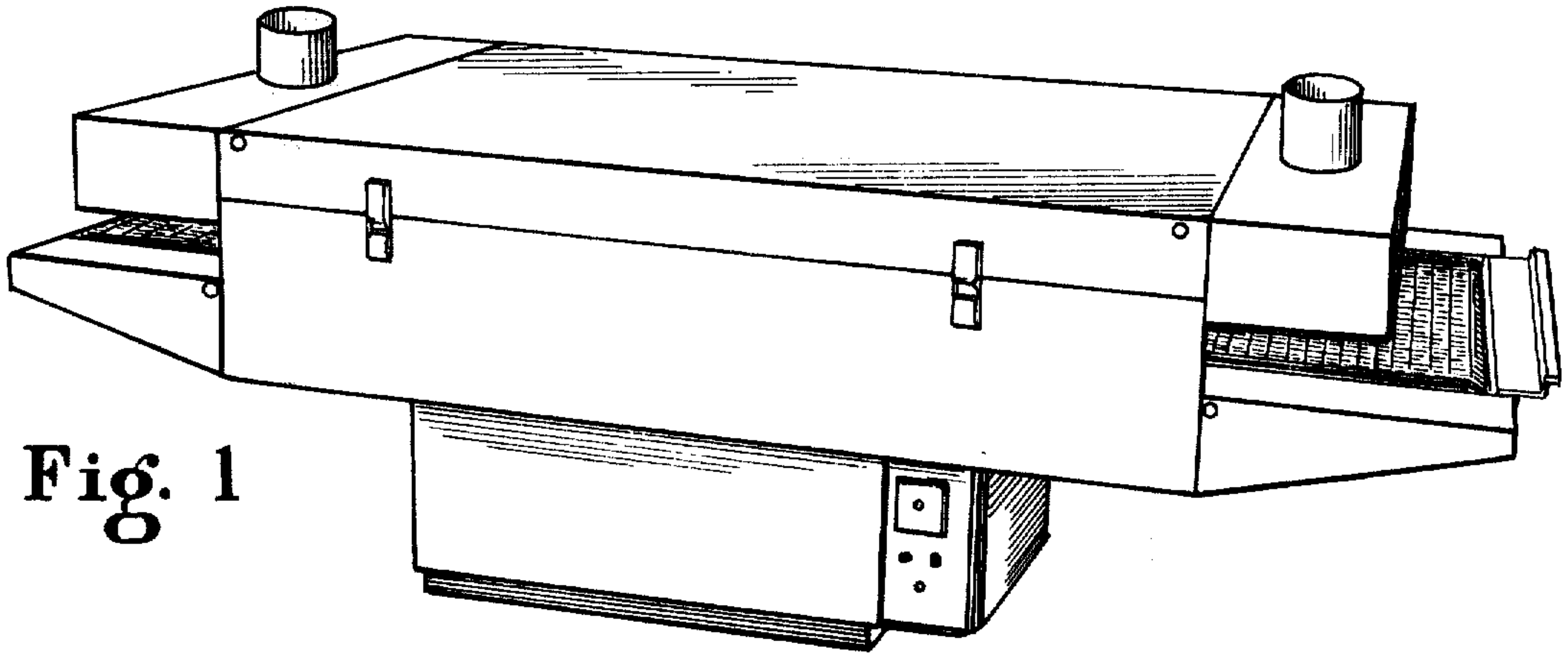


Fig. 3

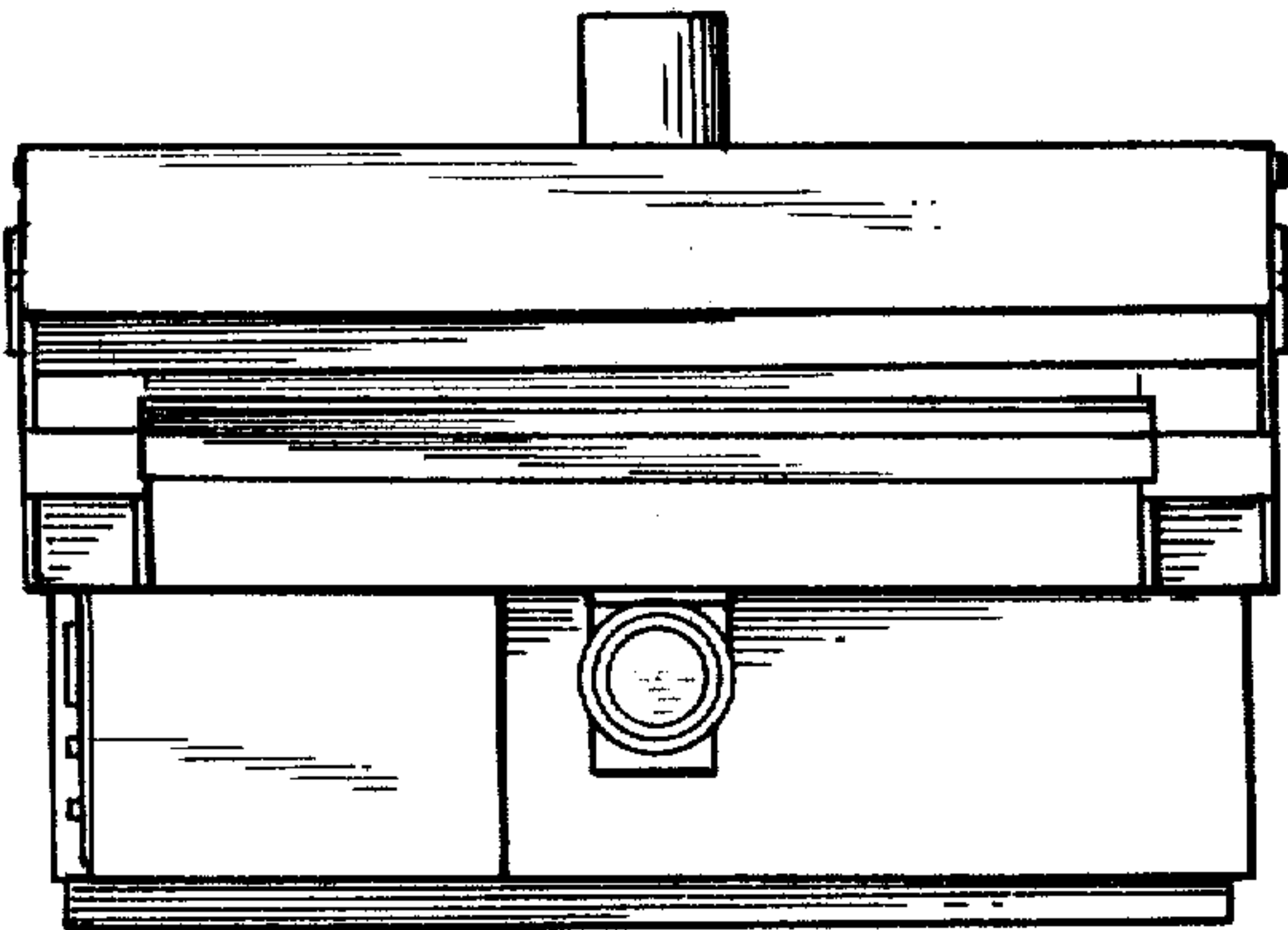


Fig. 4

