

[54] CONTROL PANEL FOR GAS RECYCLING APPARATUS

[76] Inventor: Robert E. Turner, 2 Quincy Ct.,
Setauket, N.Y. 11733

[**] Term: 7 Years

[21] Appl. No.: 73,104

[22] Filed: Sep. 6, 1979

[51] Int. Cl. D13-03
 [52] U.S. Cl. D13/35
 [58] Field of Search D13/12, 11, 32, 40,
 D13/41, 35; 200/5 R, 5 A, 155 R, 293, 294, 296;
 55/66, 338, 339; 361/331, 334, 346, 380, 390;
 331/94.5 G, 94.5 M, 94.5 PE, 94.5 S; 250/281,
 331; 23/23, 23 LR, 23 LE

[56]

References Cited

U.S. PATENT DOCUMENTS

D. 206,328	11/1966	Noel et al.	D13/12
D. 210,731	4/1968	Siegel	D13/11
D. 237,891	12/1975	Gault	D13/35
D. 238,181	12/1975	Roller	D13/35
3,358,190	12/1967	Mathison	361/346
4,125,782	11/1978	Pollnow	D13/12 X

Primary Examiner—A. Hugo Word
 Attorney, Agent, or Firm—Thomas R. Morrison

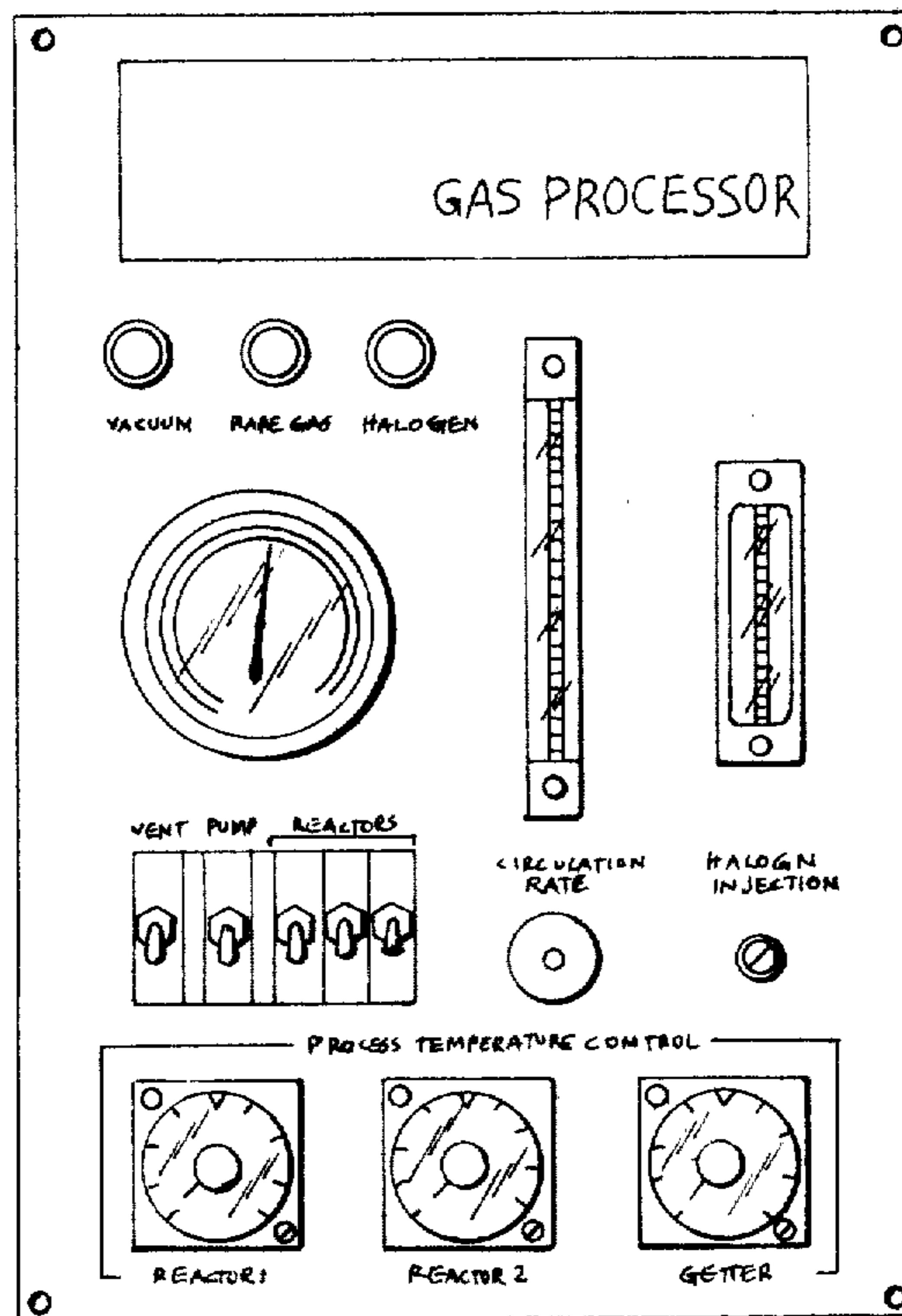
[57]

CLAIM

The ornamental design for a control panel for gas recycling apparatus, as shown.

DESCRIPTION

FIG. 1 is a left side elevational view for a control panel for gas recycling apparatus showing my new design; FIG. 2 is a front elevational view thereof; FIG. 3 is a right side elevational view thereof; and FIG. 4 is a rear elevational view thereof.



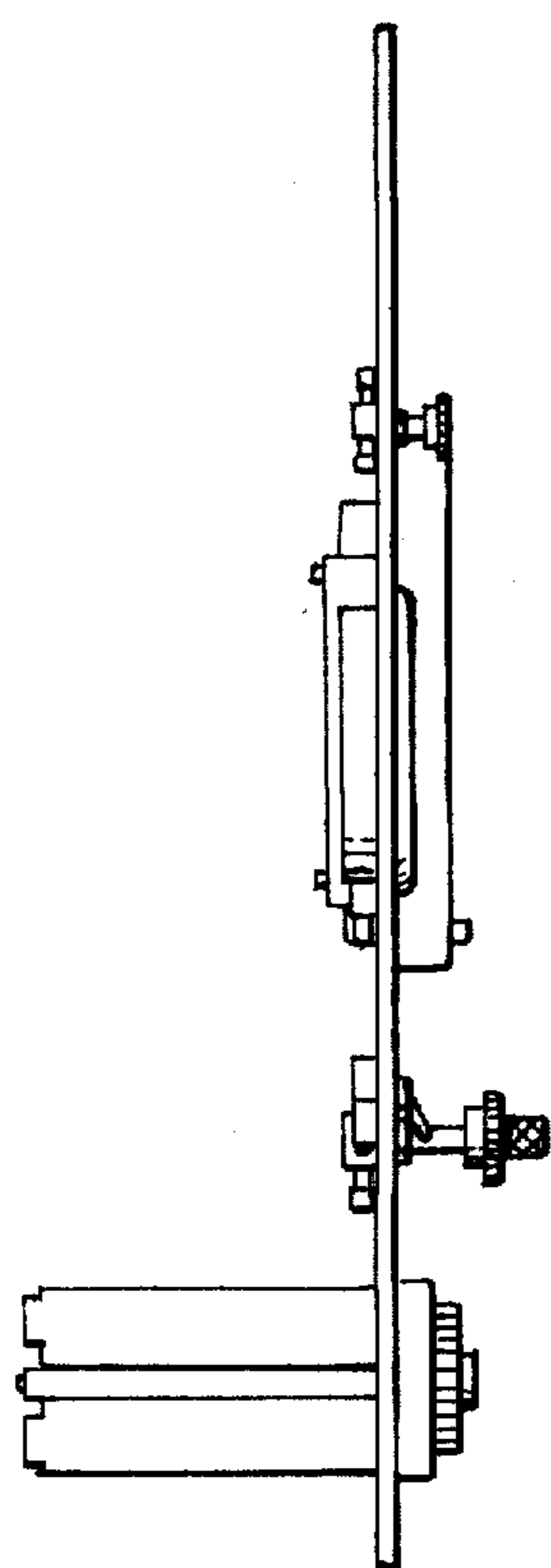


Fig. 1

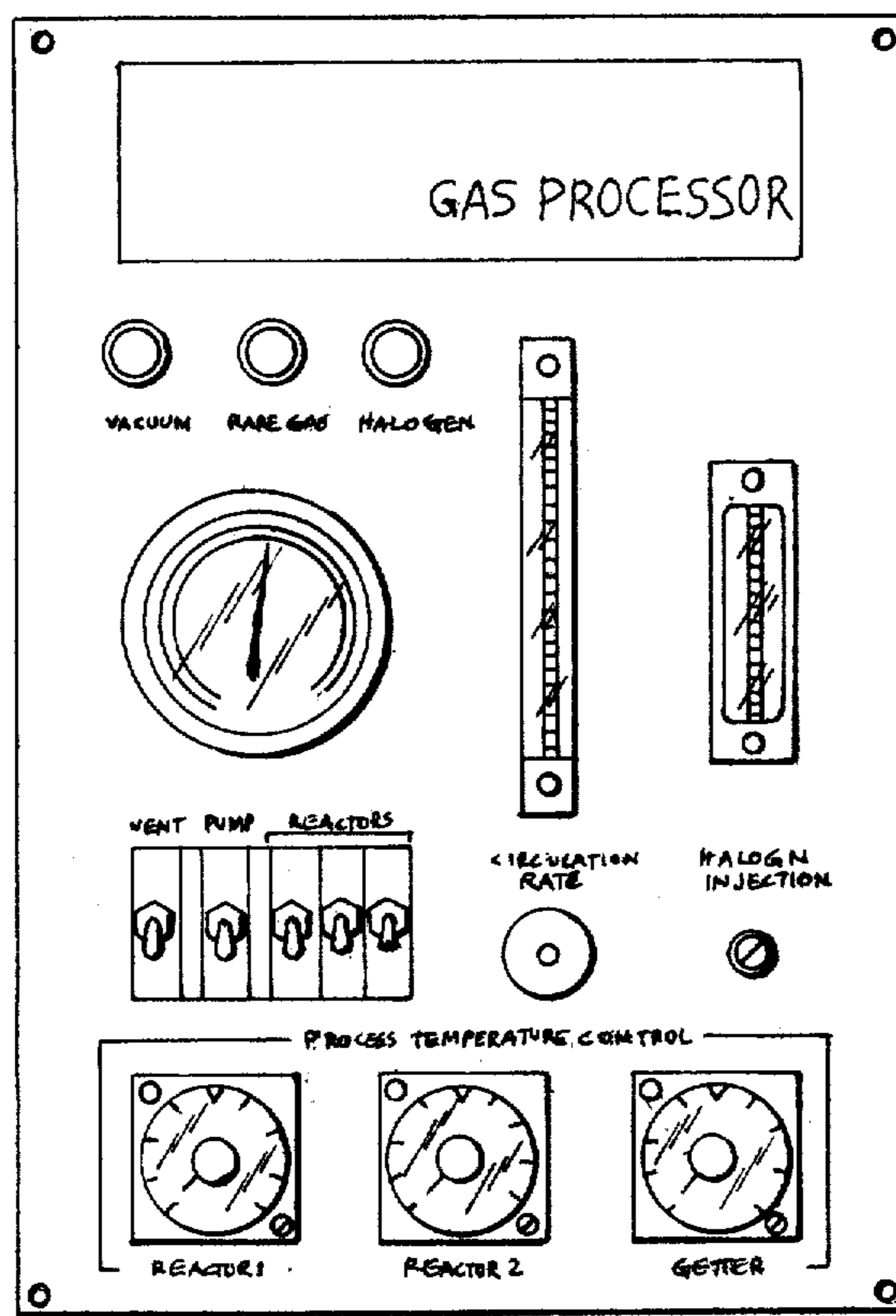


Fig. 2

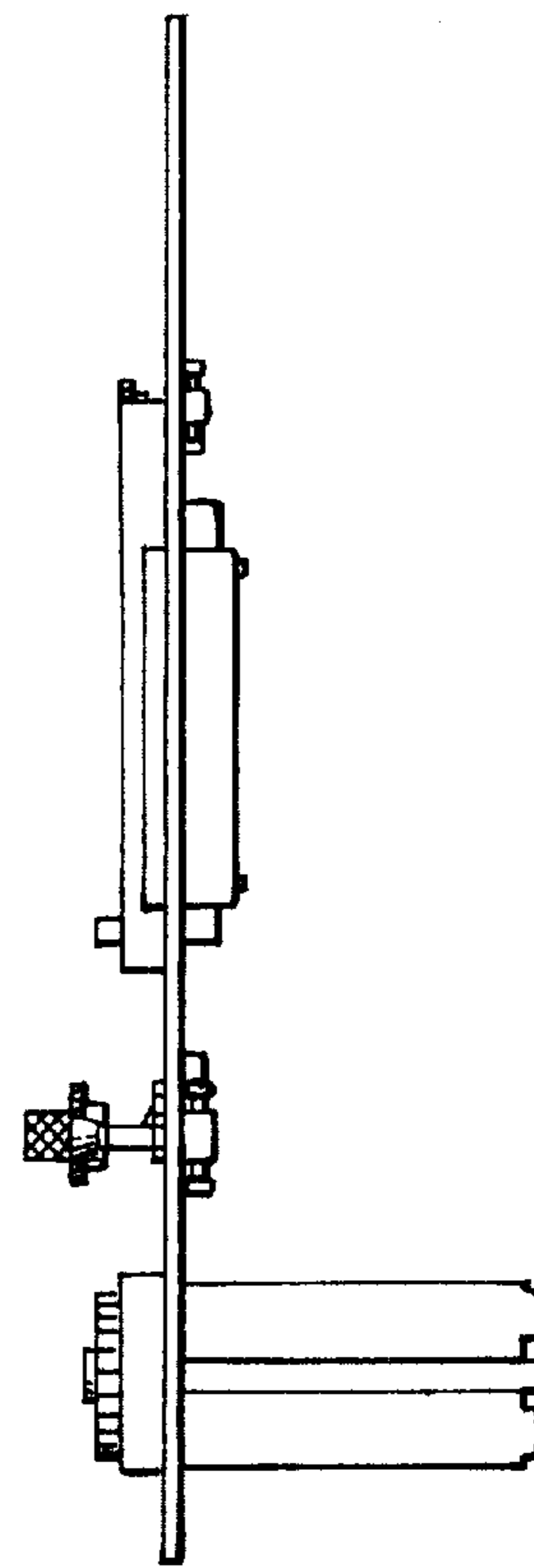


Fig. 3

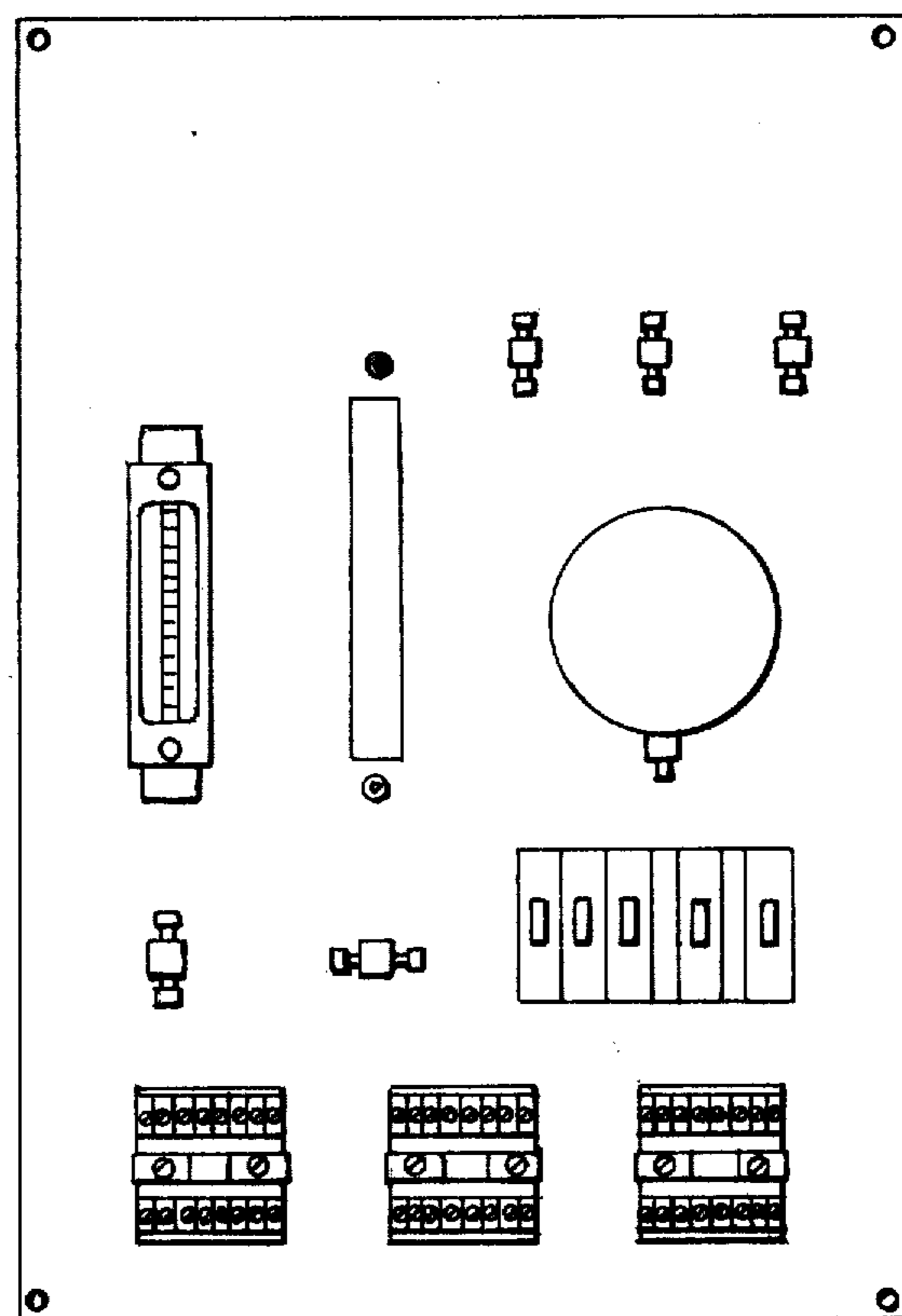


Fig. 4