

[54] ELECTRIC BATTERY

- [75] Inventor: Gordon E. Kaye, Garrison, N.Y.
- [73] Assignee: Duracell International Inc., Bethel, Conn.
- [\*\*] Term: 14 Years
- [21] Appl. No.: 762,082
- [22] Filed: Jan. 24, 1977

- [51] Int. Cl. .... D13-02
- [52] U.S. Cl. .... D13/2
- [58] Field of Search ..... D13/8, 9, 10, 5, 40, D13/41, 99; 429/125, 133, 163, 164, 175, 176, 178, 140, 156, 157, 170, 165, 180

[56] **References Cited**  
**U.S. PATENT DOCUMENTS**

- 267,577 11/1882 O'Harra ..... 429/165 X
- 3,627,586 12/1971 Jammet ..... 429/170

OTHER PUBLICATIONS

Electronic Engineers Master 871 Manufacturers' Catalog, 1969-1970, p. 1955-Sealed Battery.  
 Westconn Electronics Catalog 1964, p. 1036, Alkaline Battery #523.

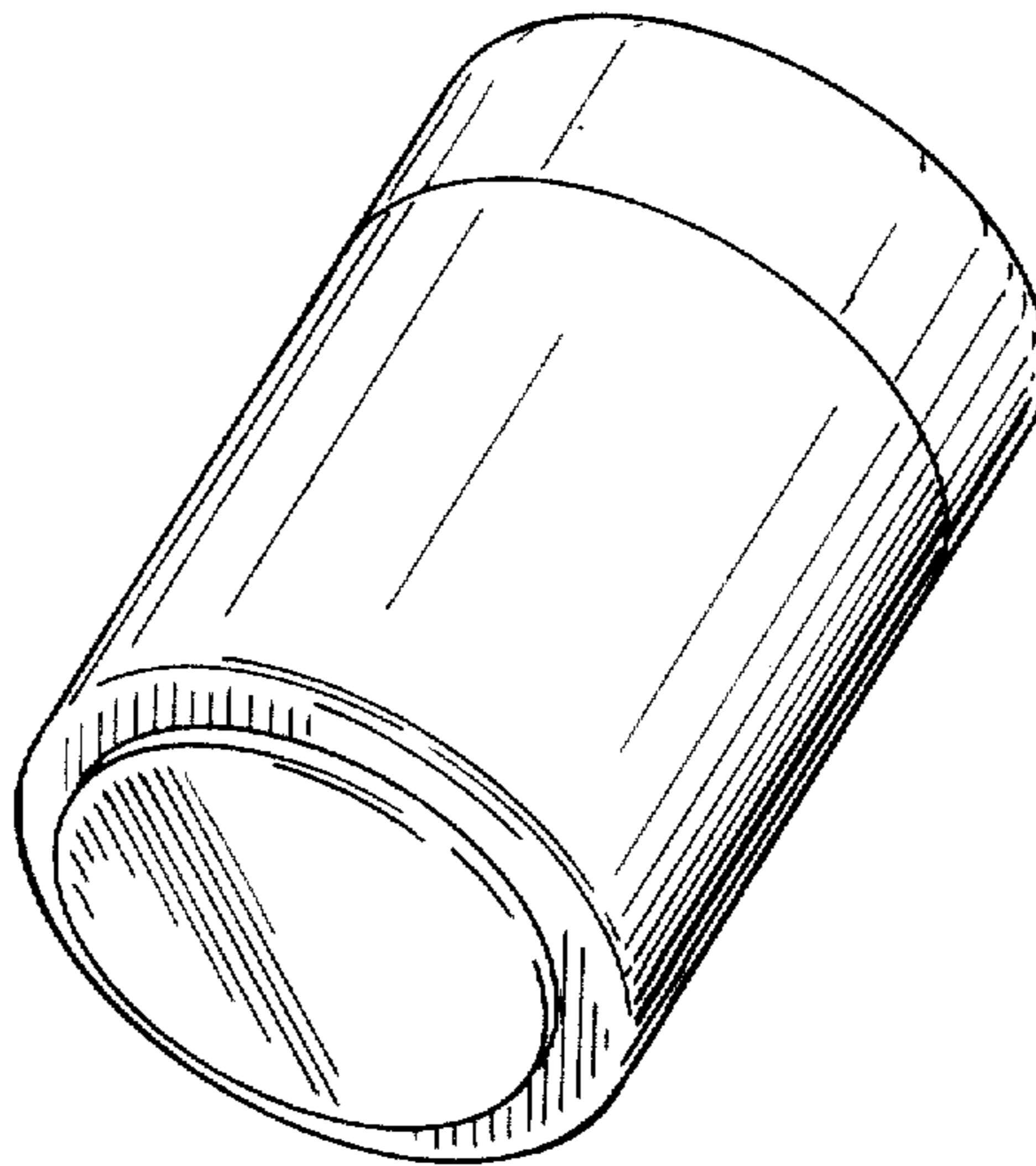
*Primary Examiner*—Susan J. Lucas  
*Attorney, Agent, or Firm*—Ronald S. Cornell; Israel Nissenbaum; Martin M. Glazer

[57] CLAIM

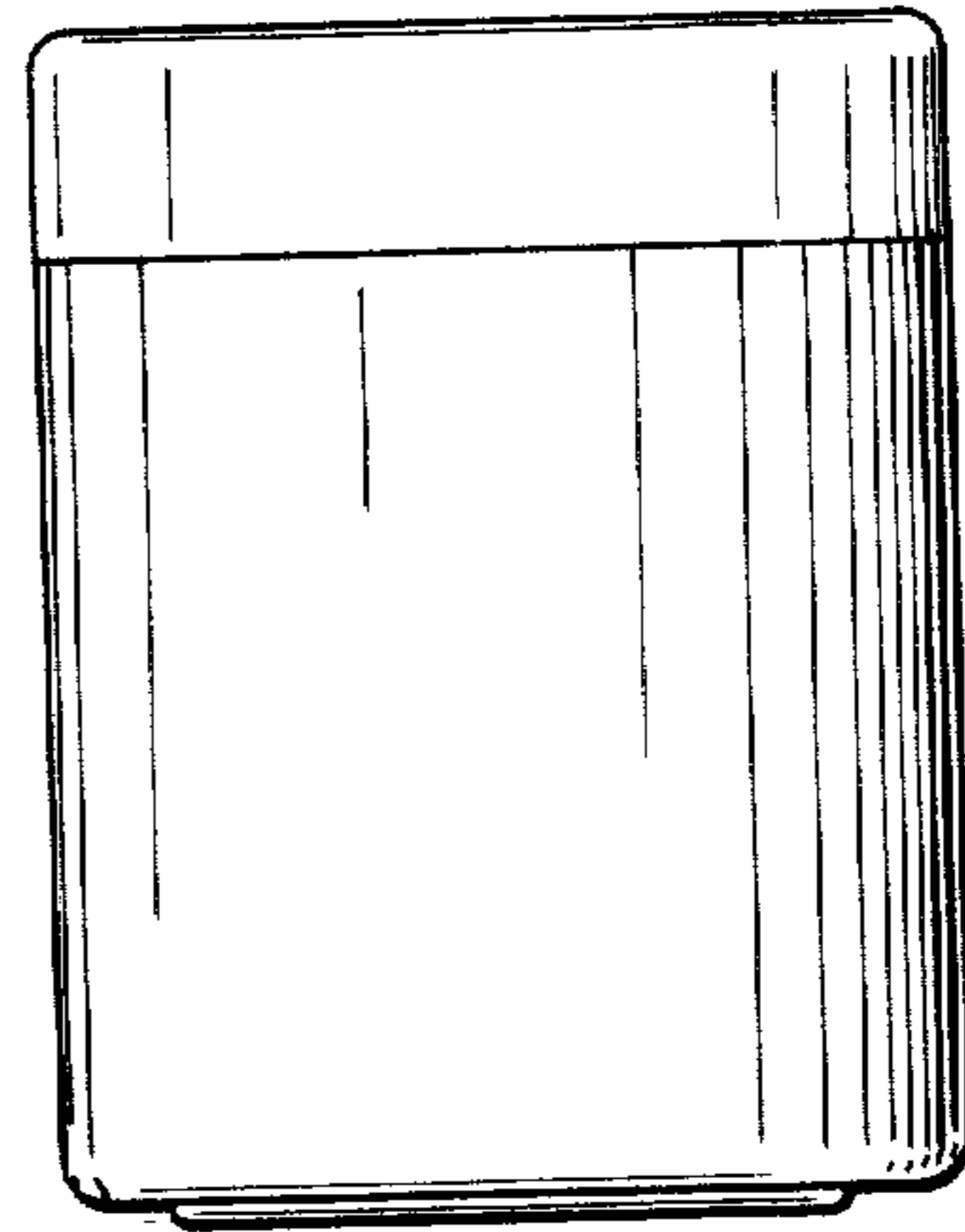
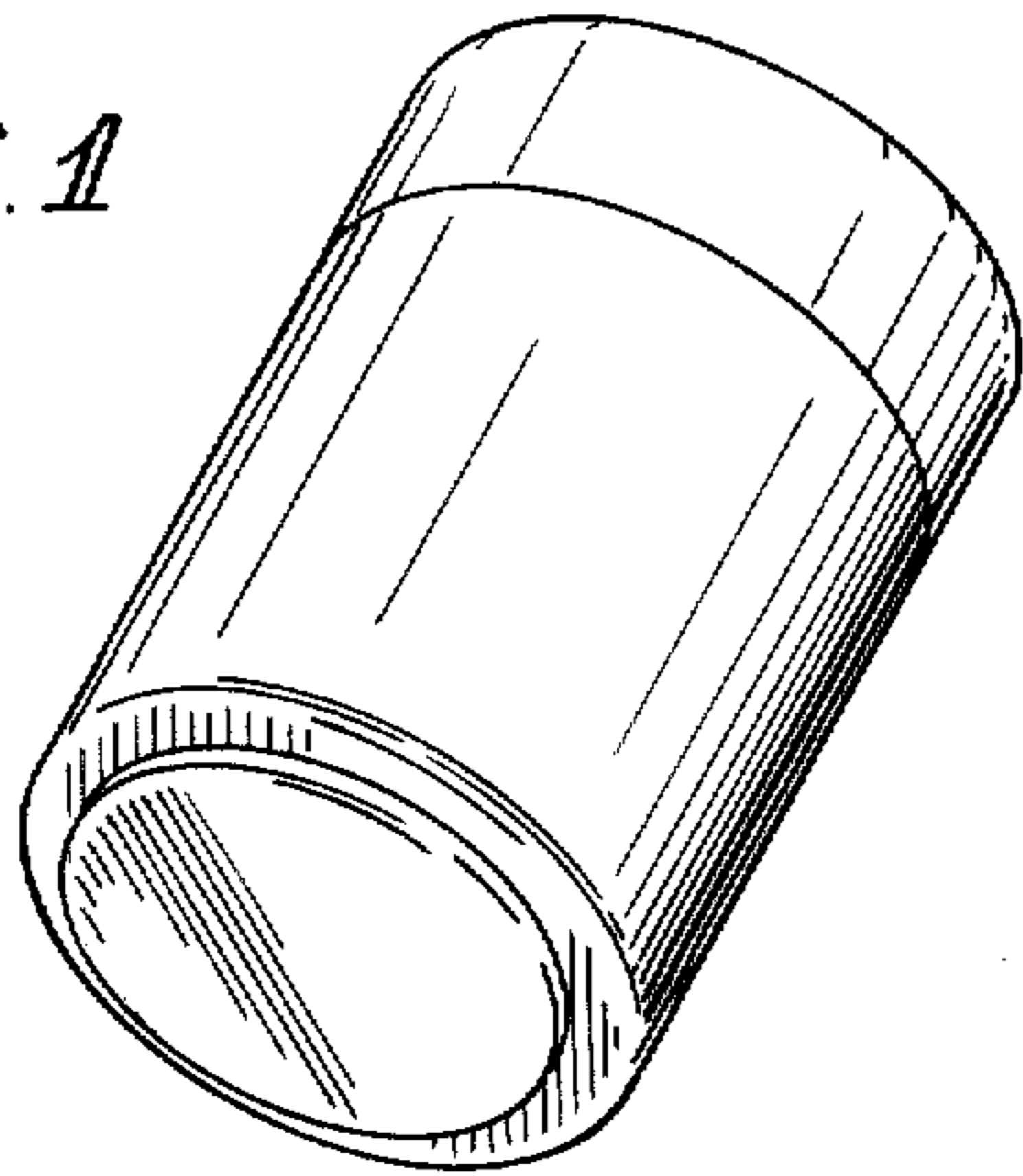
The ornamental design for an electric battery, substantially as shown and described.

DESCRIPTION

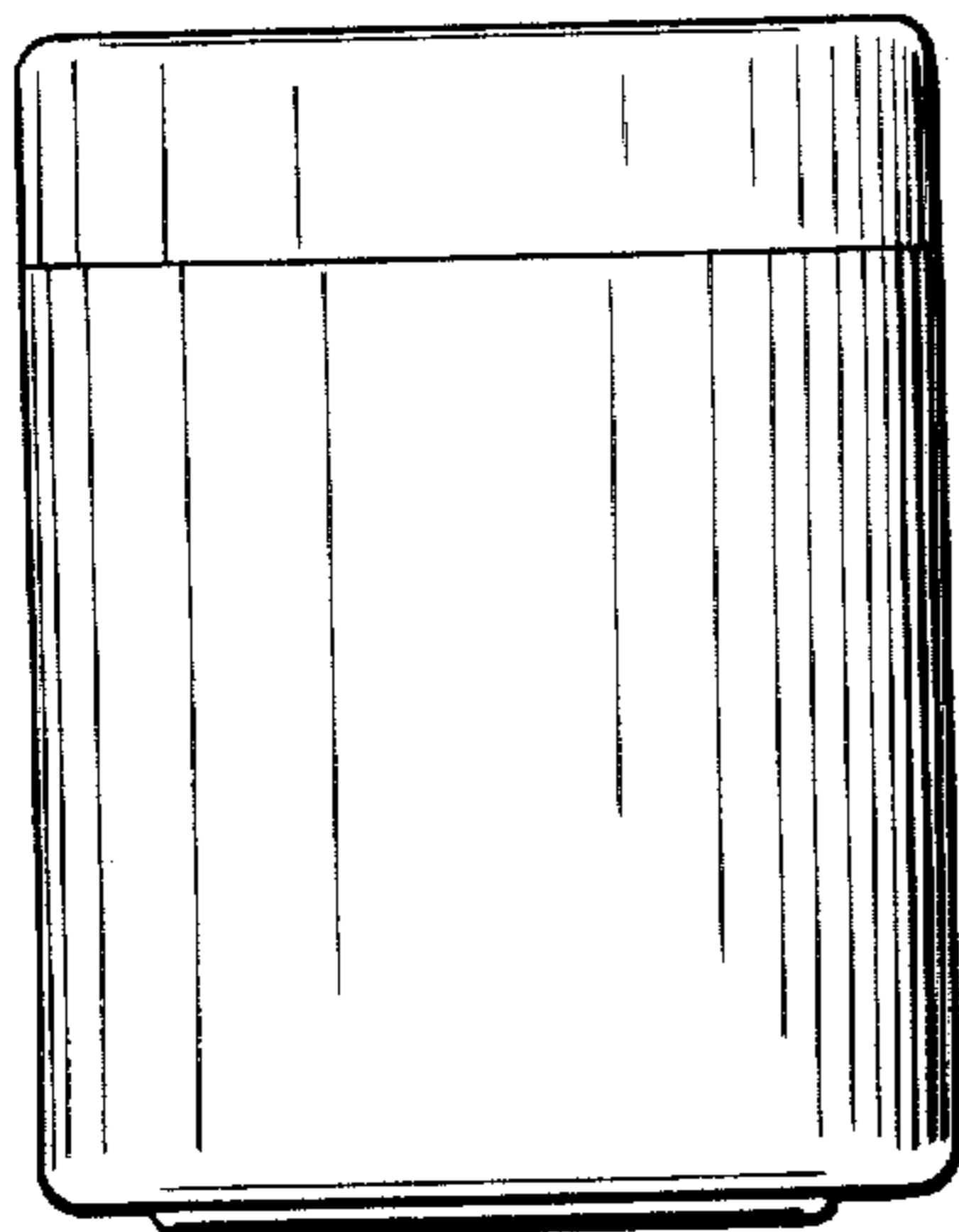
FIG. 1 is a perspective view of an electric battery showing my new design;  
 FIG. 2 is a front elevational view thereof;  
 FIG. 3 is a rear elevational view thereof;  
 FIG. 4 is a right side elevational view thereof;  
 FIG. 5 is a left side elevational view thereof;  
 FIG. 6 is a top view thereof; and  
 FIG. 7 is a bottom view thereof.



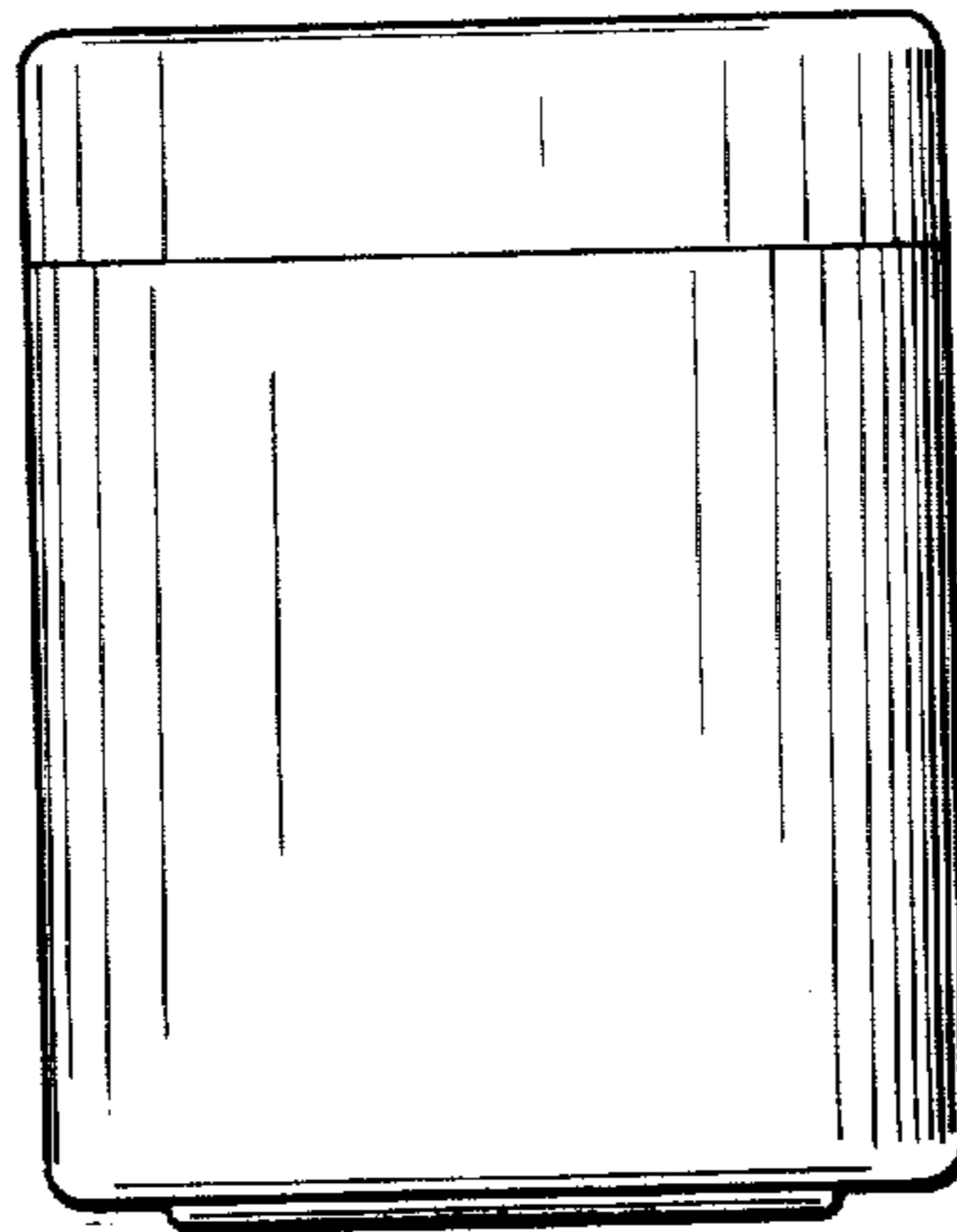
*FIG. 1*



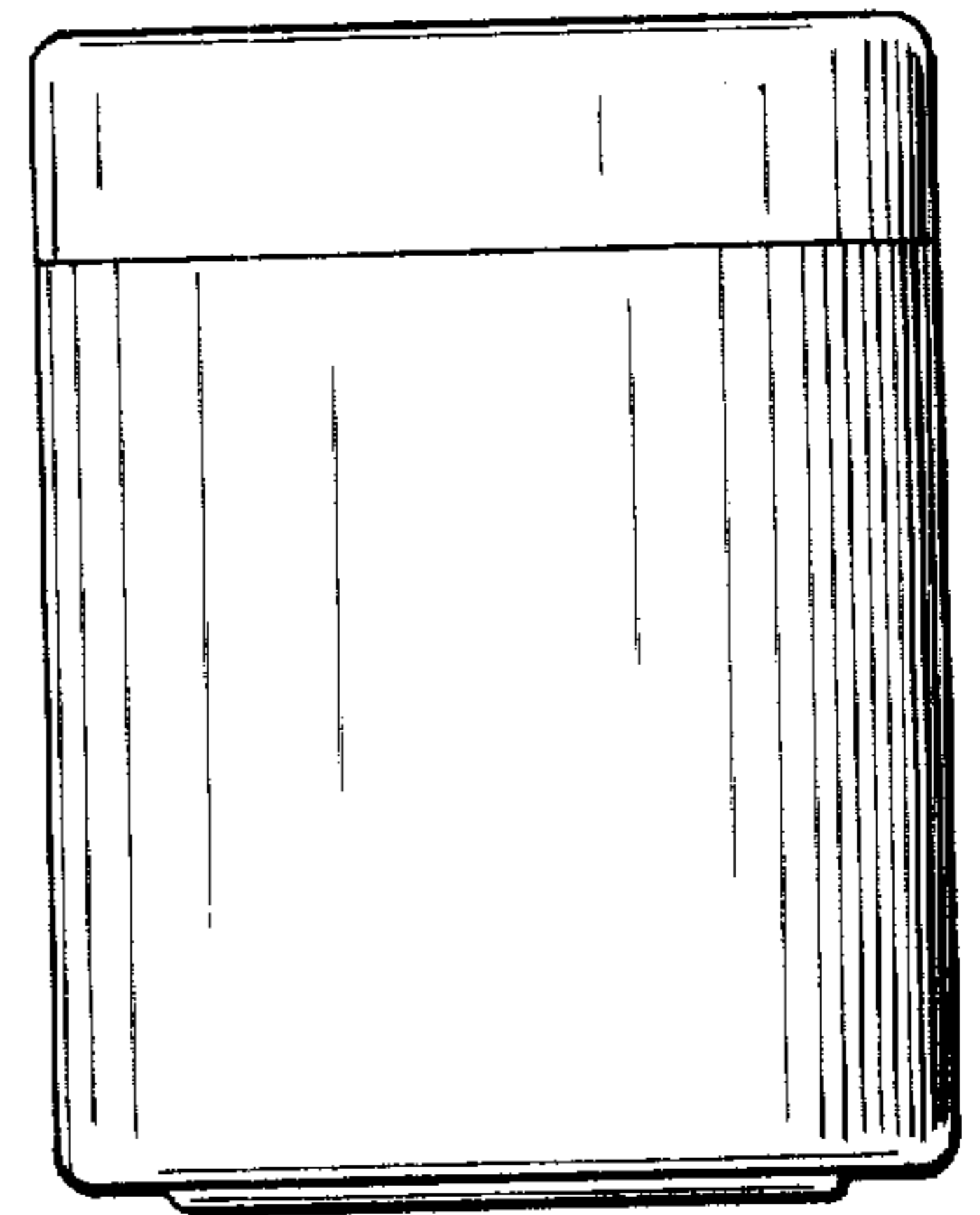
*FIG. 2*



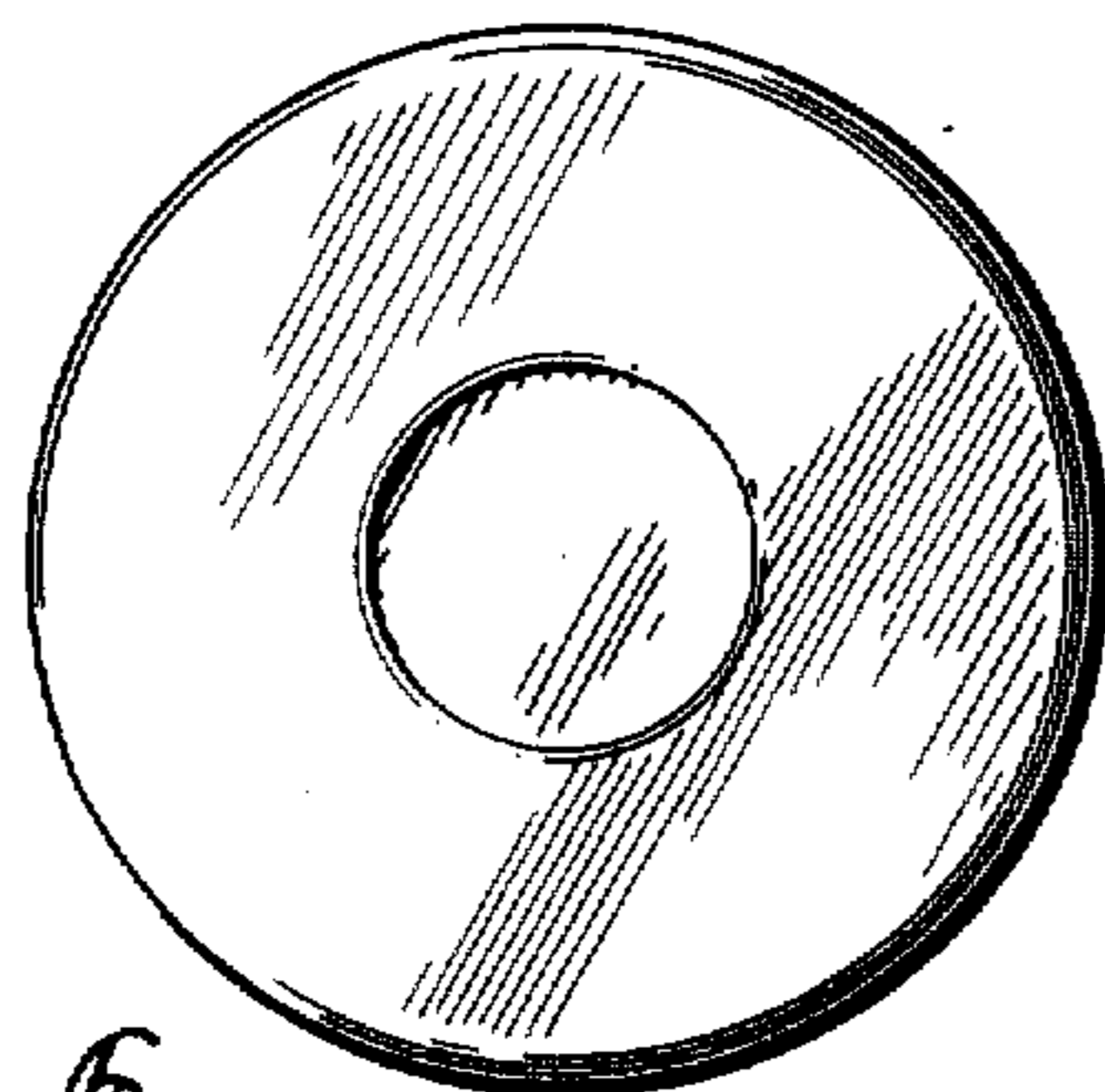
*FIG. 3*



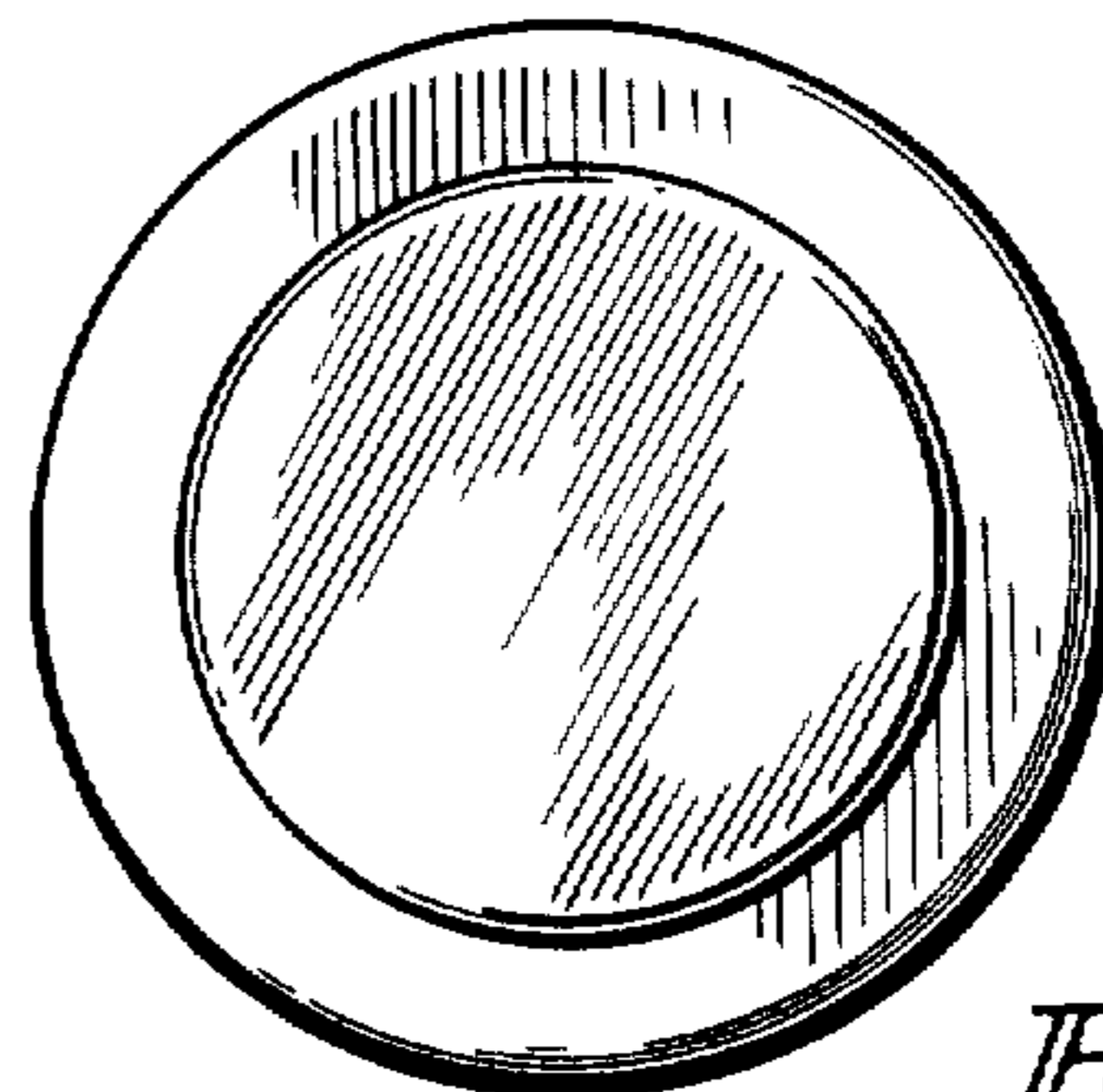
*FIG. 4*



*FIG. 5*



*FIG. 6*



*FIG. 7*