

[54] **FOUR WHEEL TROLLEY**

[76] Inventor: **John F. Miller**, P.O. Box 277,  
Howell, Mich. 48843

[\*\*] Term: **14 Years**

[21] Appl. No.: **20,660**

[22] Filed: **Mar. 15, 1979**

[51] Int. Cl. .... **D12-05**

[52] U.S. Cl. .... **D34/35**

[58] Field of Search ..... **D12/60, 54; D8/373;**  
**105/150, 152, 154, 155; 104/93**

[56] **References Cited**

**U.S. PATENT DOCUMENTS**

|            |         |                    |         |
|------------|---------|--------------------|---------|
| D. 242,015 | 10/1976 | Busche et al. .... | D8/373  |
| D. 242,016 | 10/1976 | Busche et al. .... | D8/373  |
| 876,486    | 1/1908  | Pfaffenbach ....   | 105/152 |

**OTHER PUBLICATIONS**

Agile Equipment Dist. Inc. Catalog No. G-G-174,  
©1974, p. 22, Push Type Trolley, bottom left side of  
page.

*Primary Examiner*—James M. Gandy  
*Attorney, Agent, or Firm*—Burton, Parker & Schramm

[57] **CLAIM**

The ornamental design for a four wheel trolley, as  
shown.

**DESCRIPTION**

FIG. 1 is a front elevational view of a four wheel trolley  
showing my new design;  
FIG. 2 is a rear elevational view thereof;  
FIG. 3 is a top plan view thereof;  
FIG. 4 is a side elevational view thereof; and  
FIG. 5 is a bottom plan view thereof.

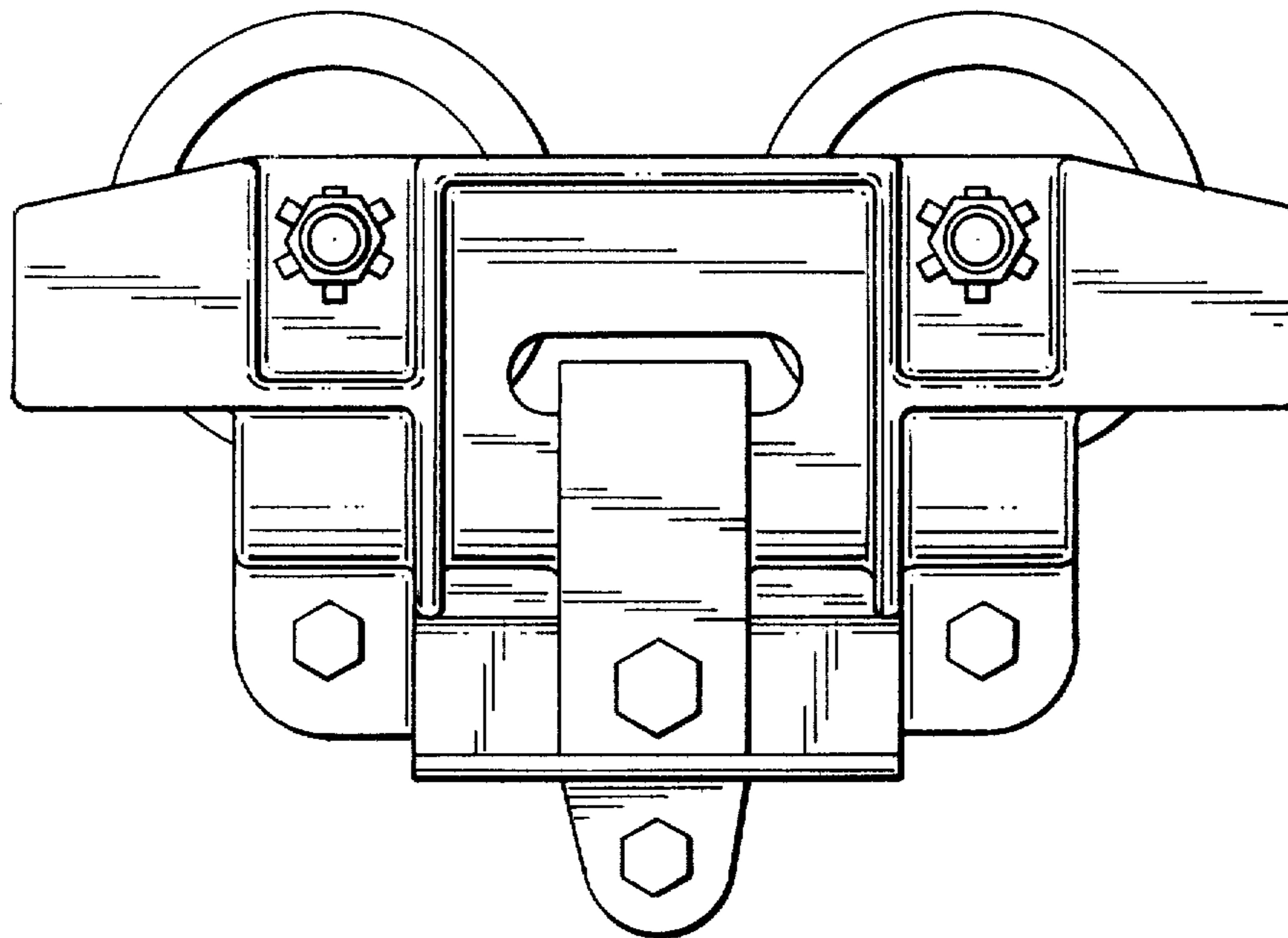


FIG. 1

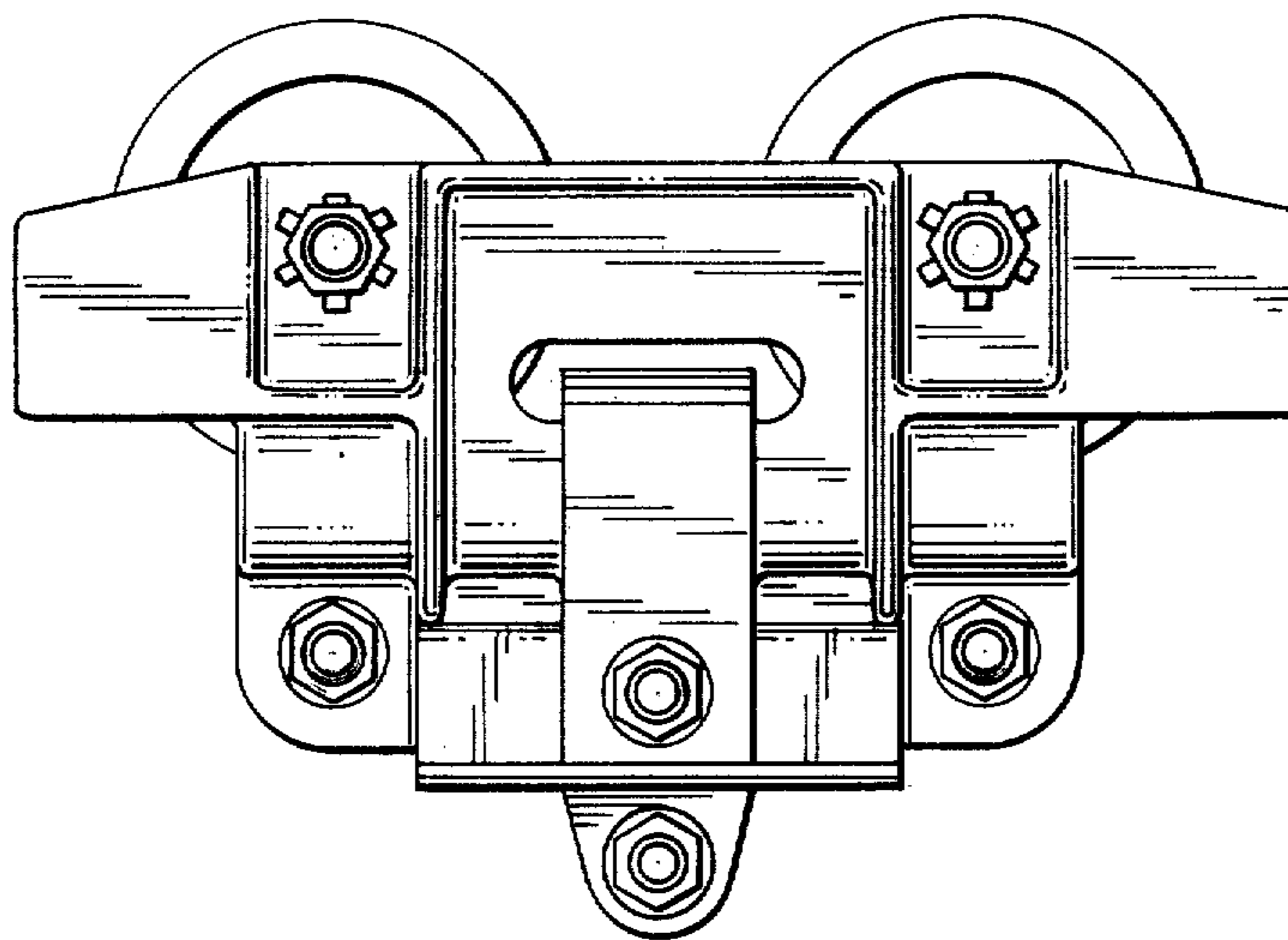
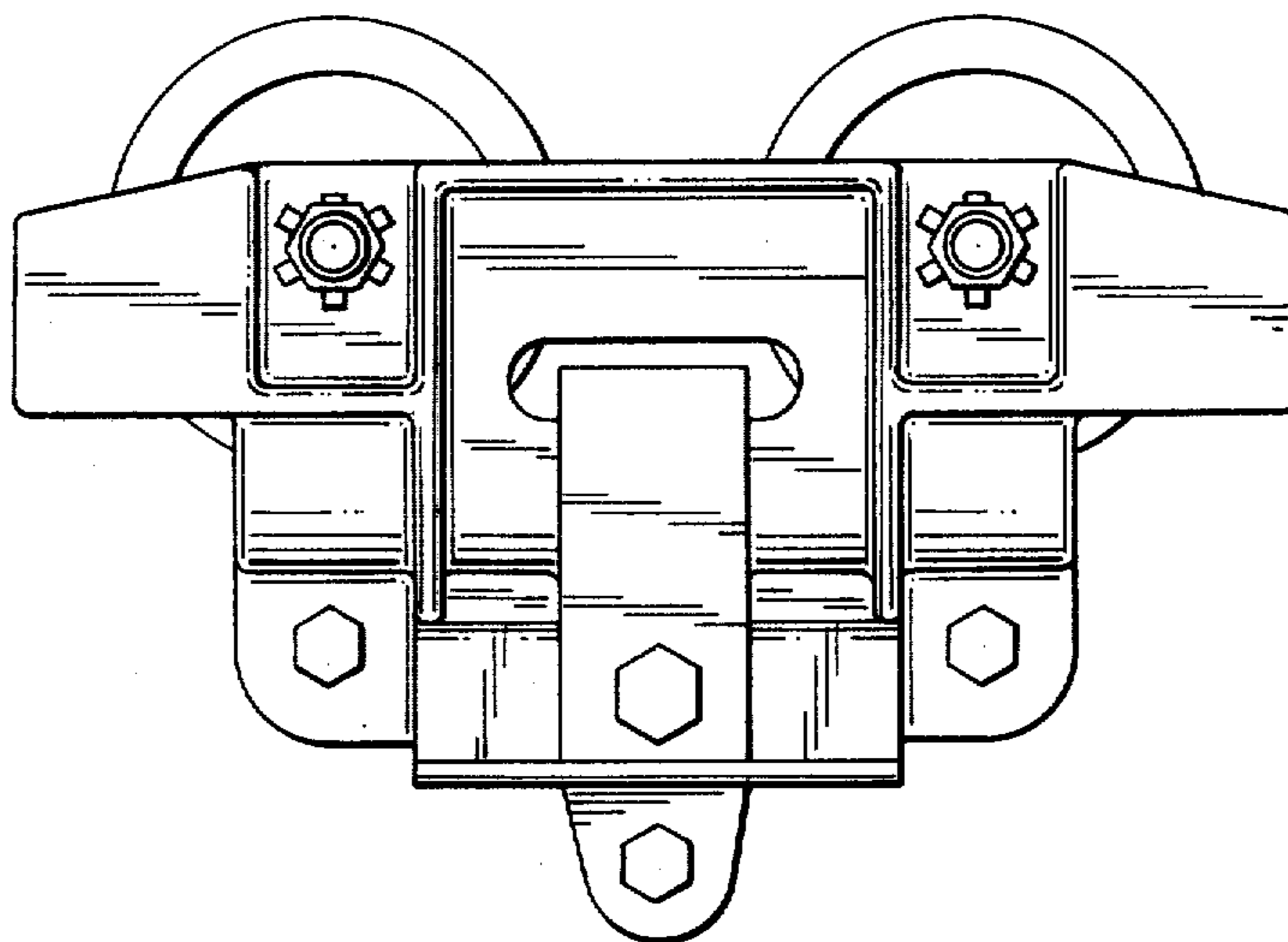


FIG. 2

FIG. 3

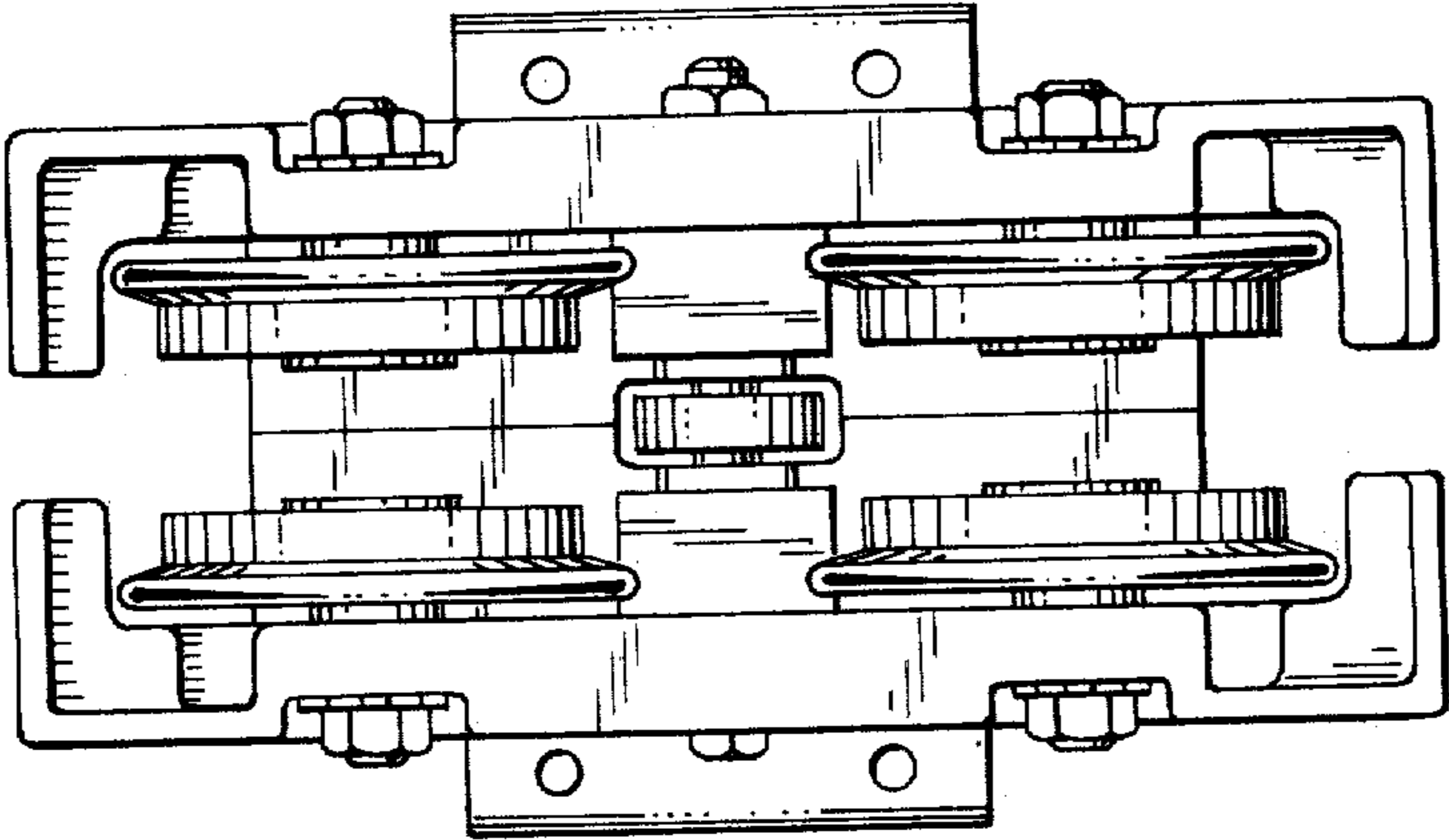


FIG. 4

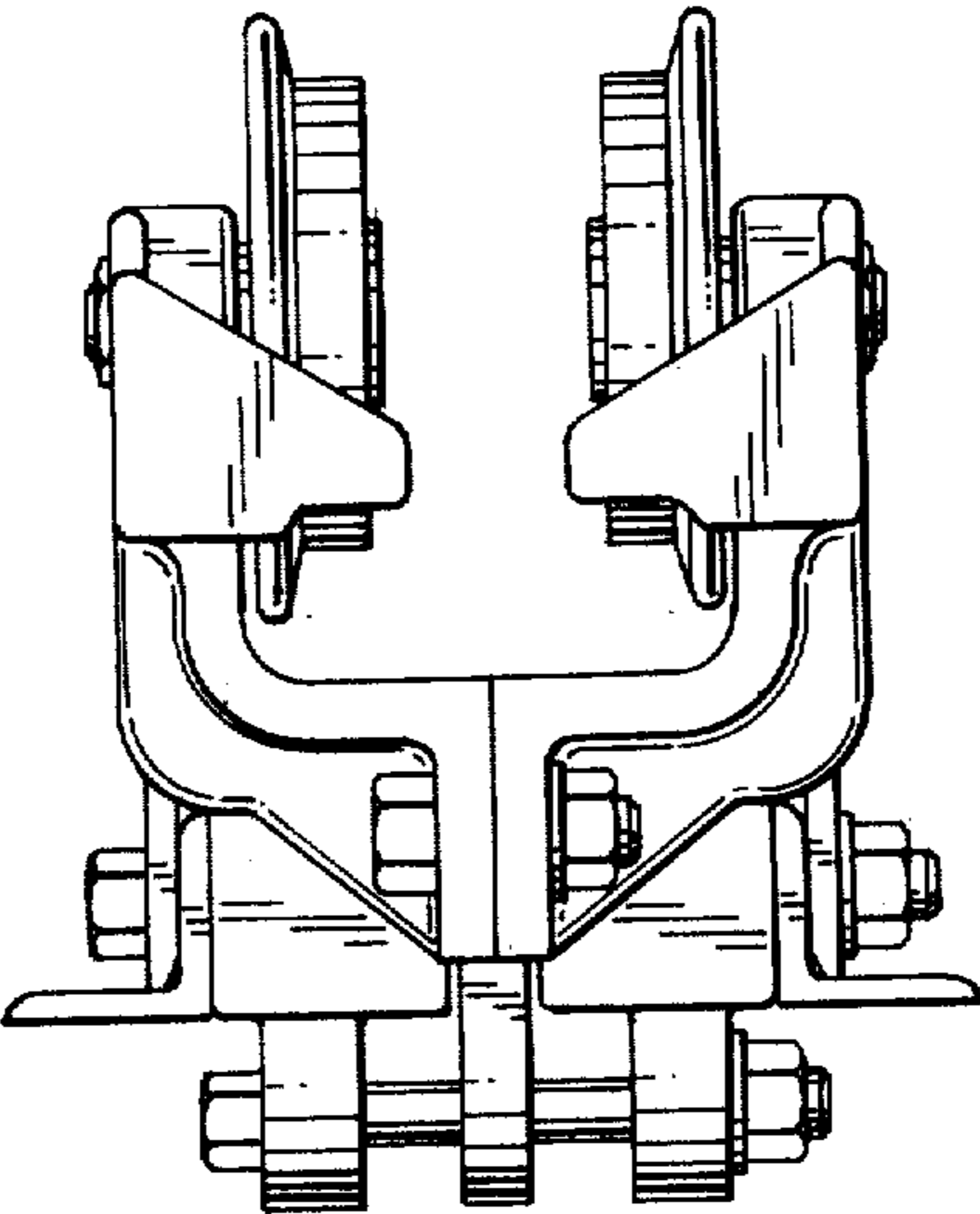


FIG. 5

