

[54] ARM LIGHT FOR BICYCLISTS AND PEDESTRIANS

[75] Inventor: Raymond A. Benoit, Septeuil, France

[73] Assignee: Societe les Piles Wonder, France

[**] Term: 14 Years

[21] Appl. No.: 89,305

[22] Filed: Oct. 30, 1979

[30] Foreign Application Priority Data

May 7, 1979 [FR] France 42,442

[51] Int. Cl. D10-06; D26-02

[52] U.S. Cl. D10/114; D26/39

[58] Field of Search D26/37-50; 362/157, 183, 184, 186-192, 194-208; 340/321; D10/114

[56] References Cited

U.S. PATENT DOCUMENTS

1,594,510 8/1926 Saks 340/321 X
2,867,717 1/1959 Forquer 362/186

3,278,921 10/1966 Horino 340/321

FOREIGN PATENT DOCUMENTS

755777 9/1933 France 340/321

Primary Examiner—Susan J. Lucas

Attorney, Agent, or Firm—Roylance, Abrams, Berdo & Farley

[57] CLAIM

The ornamental design for an arm light for bicyclists and pedestrians, as shown and described.

DESCRIPTION

FIG. 1 is a perspective view of an arm light for bicyclists and pedestrians showing my new design; FIG. 2 is a front elevational view thereof; FIG. 3 is a rear elevational view thereof; FIG. 4 is a left side elevational view thereof; FIG. 5 is a right side elevational view thereof; FIG. 6 is a top plan view thereof; and FIG. 7 is a bottom plan view thereof.

The strap is shown in broken lines for illustrative purposes only.

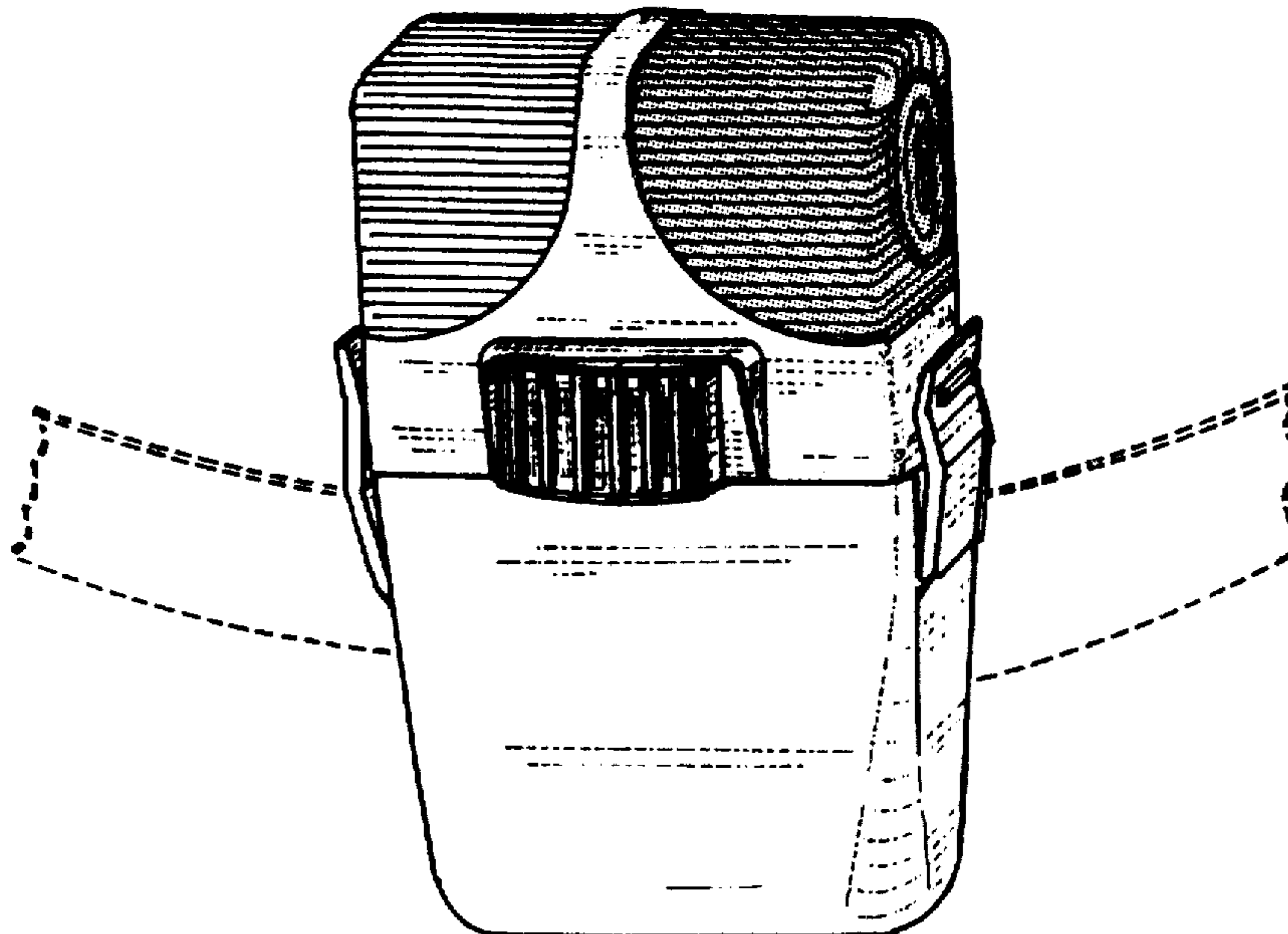
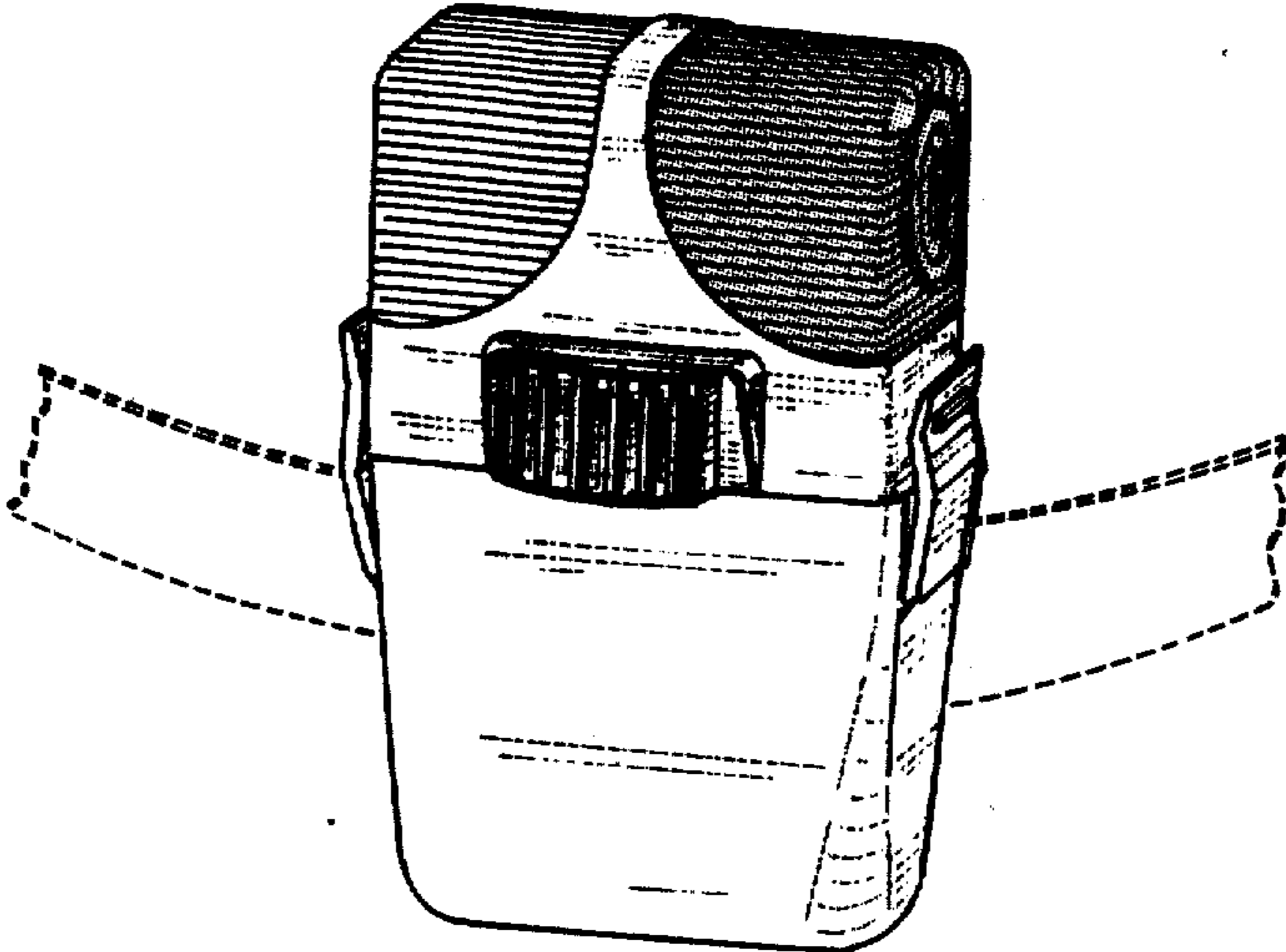


Fig. 1



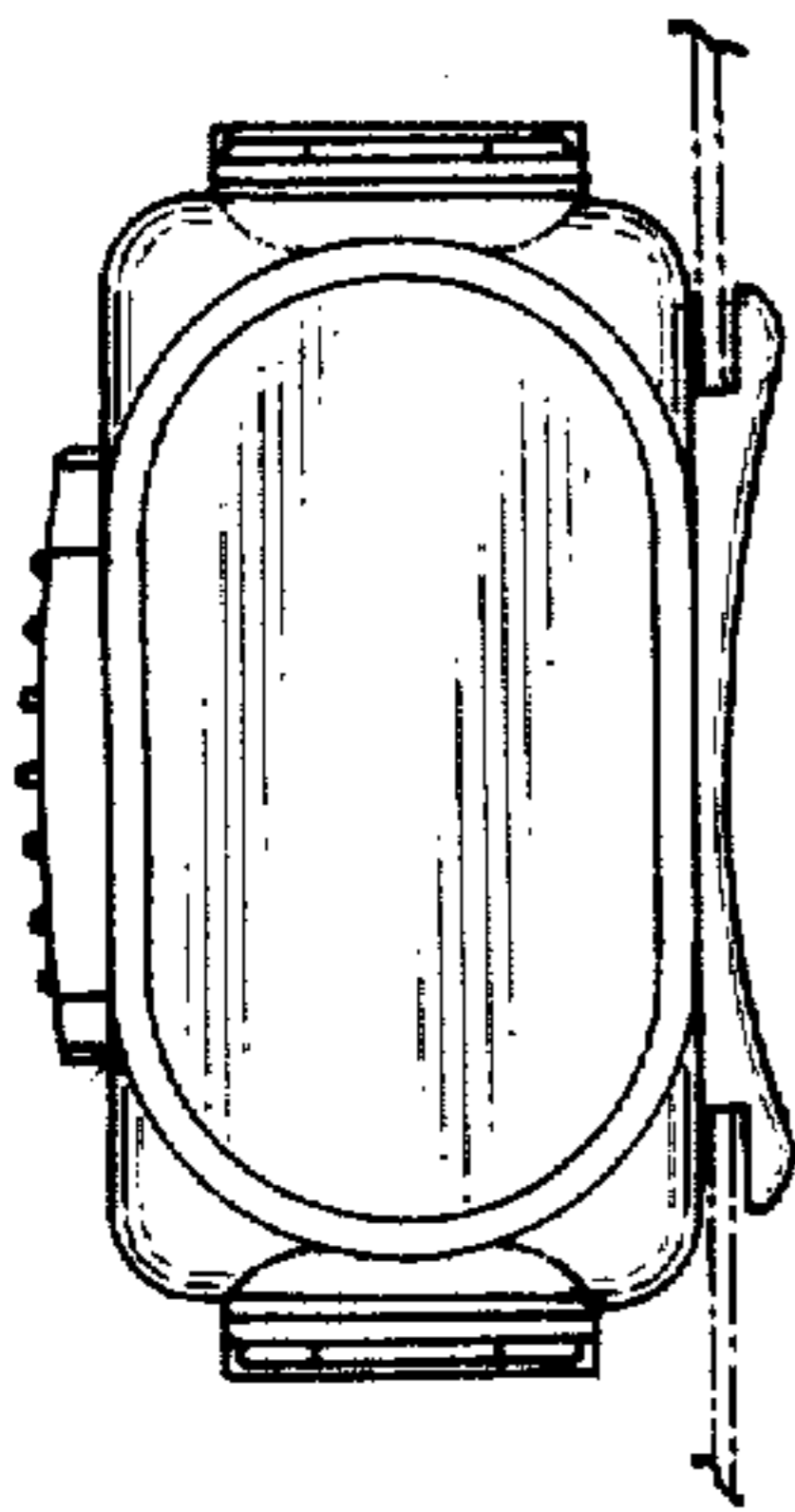


Fig. 7

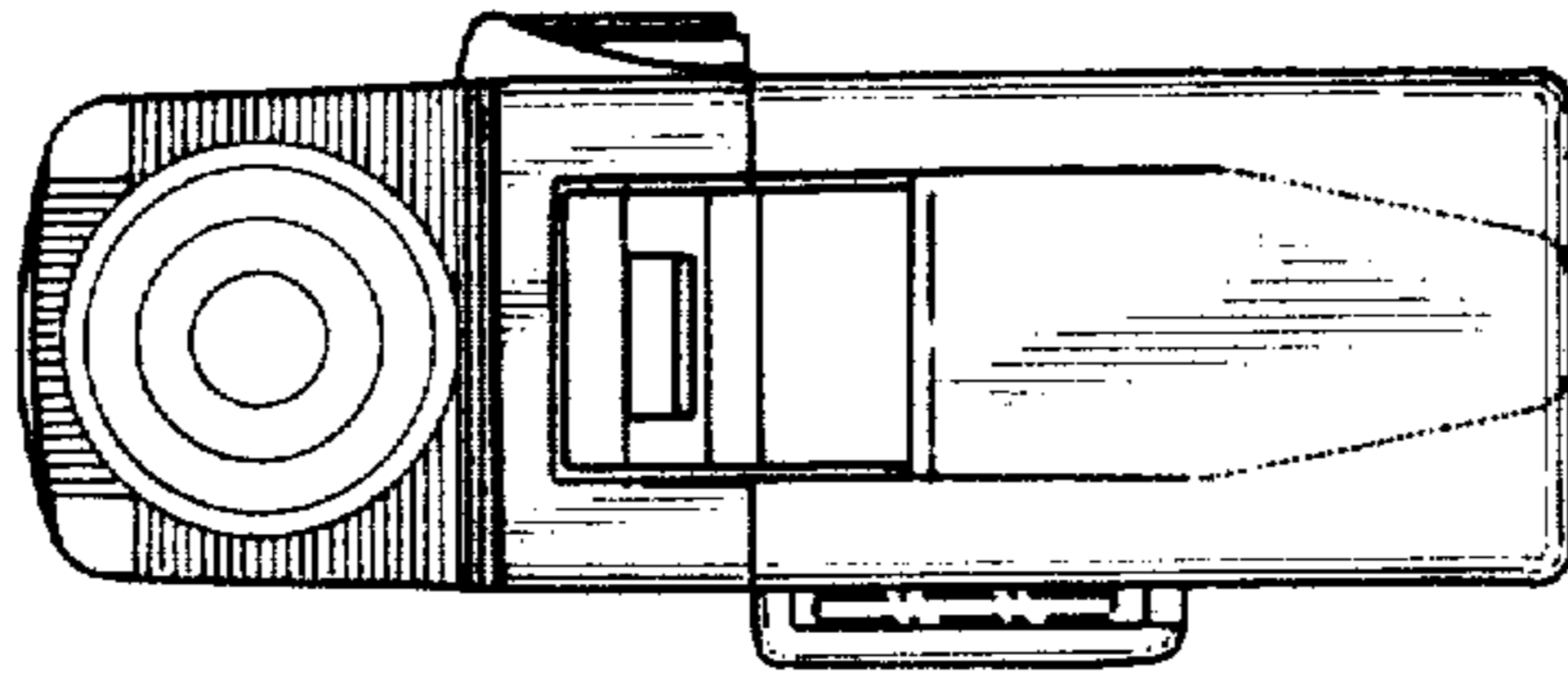


Fig. 5

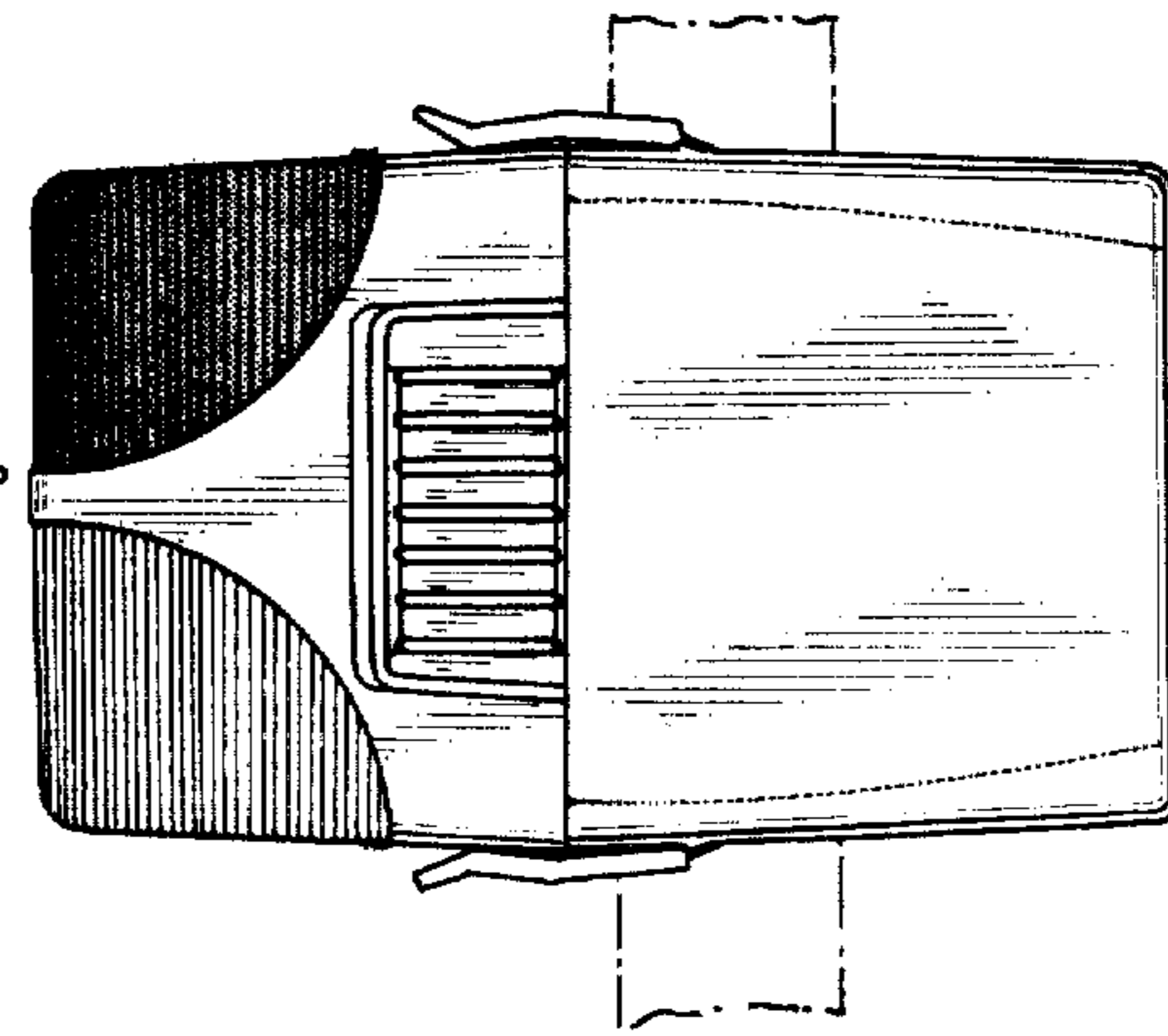


Fig. 2

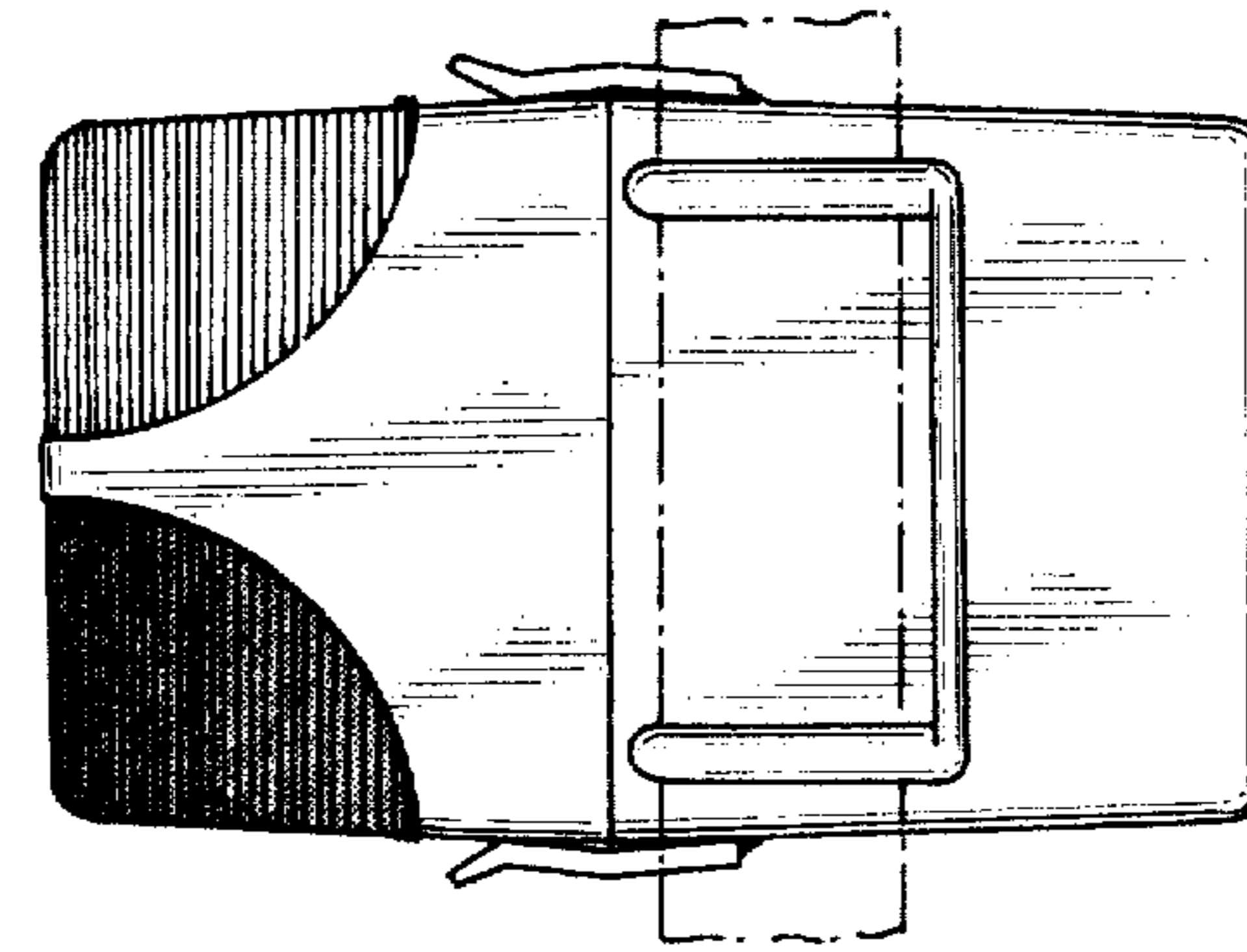


Fig. 3

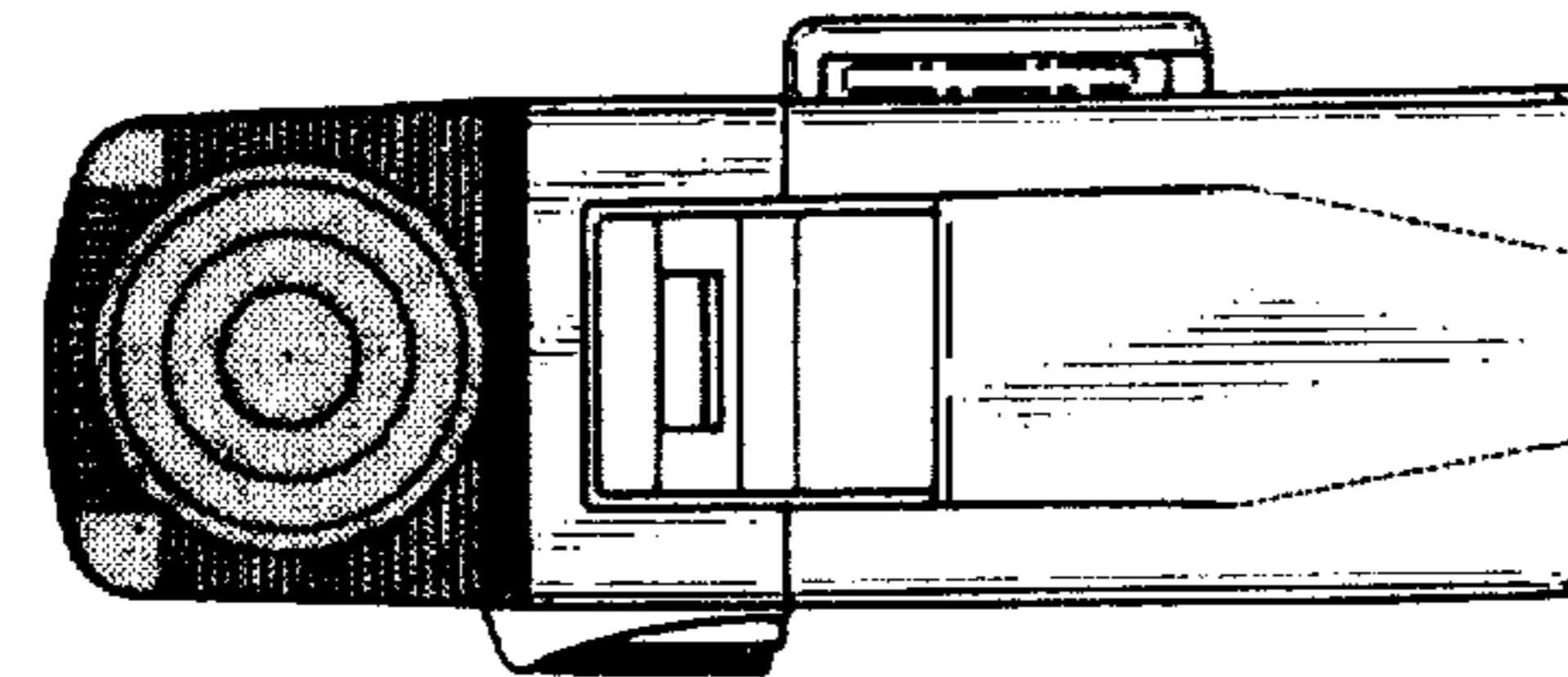


Fig. 4

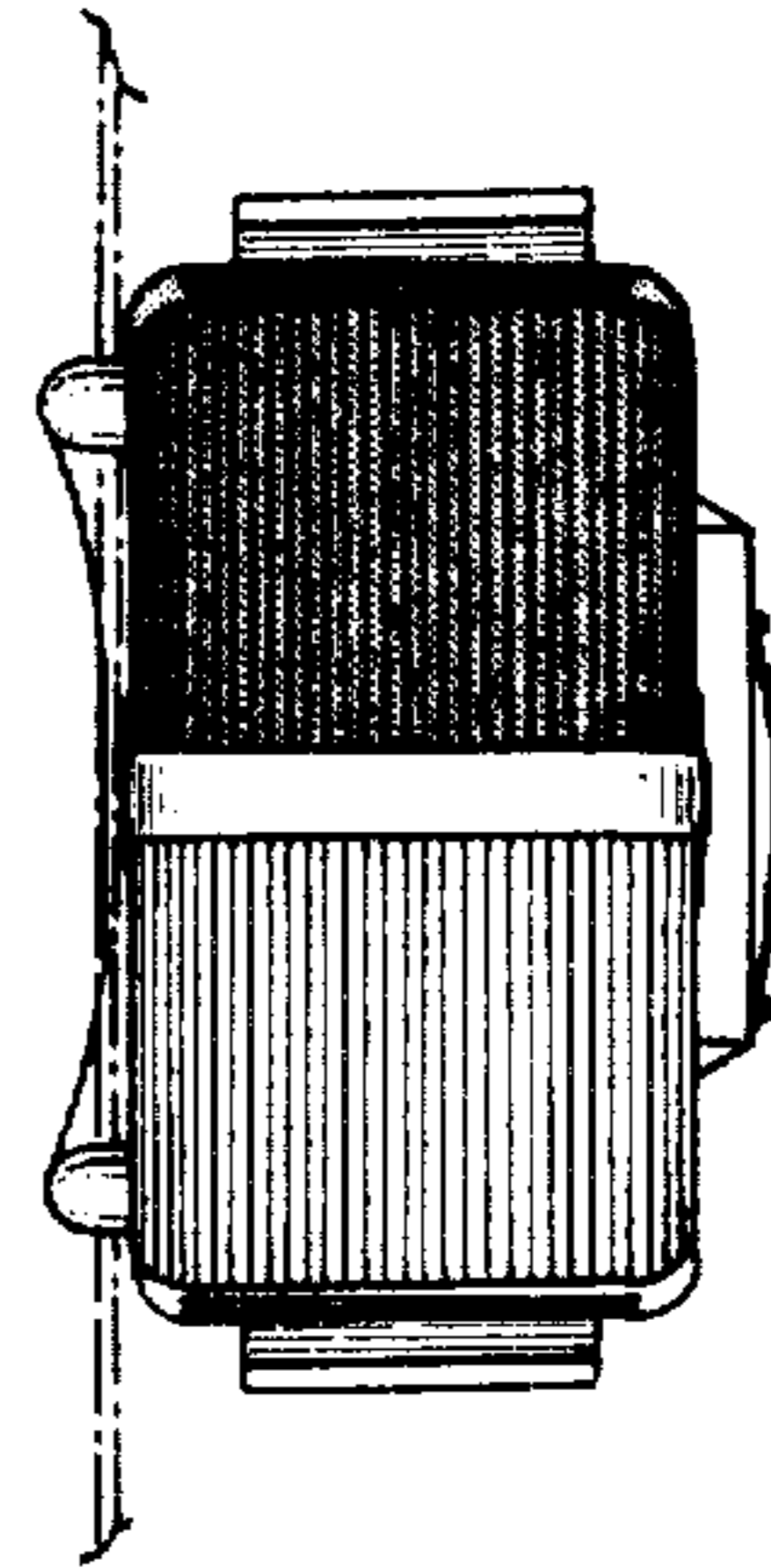


Fig. 6