

[54] PULL TAB FOR A CONTAINER END

[75] Inventor: Gary K. Hasegawa, Chicago, Ill.

[73] Assignee: The Continental Group, Inc., Stamford, Conn.

[\*\*] Term: 14 Years

[21] Appl. No.: 88,981

[22] Filed: Oct. 29, 1979

[51] Int. Cl. .... D09-99

[52] U.S. Cl. .... D9/438

[58] Field of Search ..... D9/253, 254, 255, 256, D9/434, 435, 438; 220/265, 266, 267, 268, 269, 270, 271, 272, 273, 274

[56] References Cited

U.S. PATENT DOCUMENTS

- 3,411,662 11/1968 Silver ..... D9/255 X
- 3,499,573 3/1970 Adams ..... 220/271

4,205,760 6/1980 Hasegawa ..... 220/271

FOREIGN PATENT DOCUMENTS

2117864 2/1973 Fed. Rep. of Germany ..... 220/272

Primary Examiner—Joel Stearman  
Assistant Examiner—Carmen H. Vales  
Attorney, Agent, or Firm—John J. Kowalik

[57] CLAIM

The ornamental design for a pull tab for a container end, as shown and described.

DESCRIPTION

FIG. 1 is a top plan view of a pull tab for a container end showing my new design;  
FIG. 2 is a bottom plan view thereof;  
FIG. 3 is a right end elevational view thereof;  
FIG. 4 is a left end elevational view thereof;  
FIG. 5 is a front elevational view thereof; and  
FIG. 6 is a rear elevational view thereof.

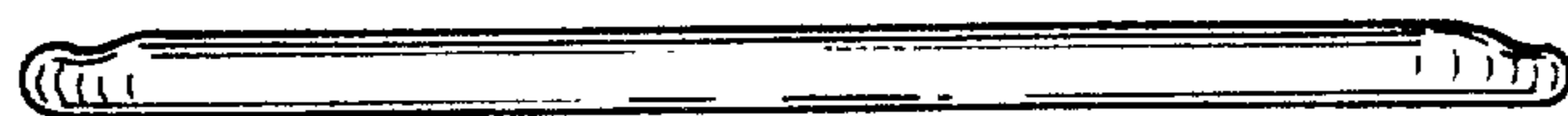
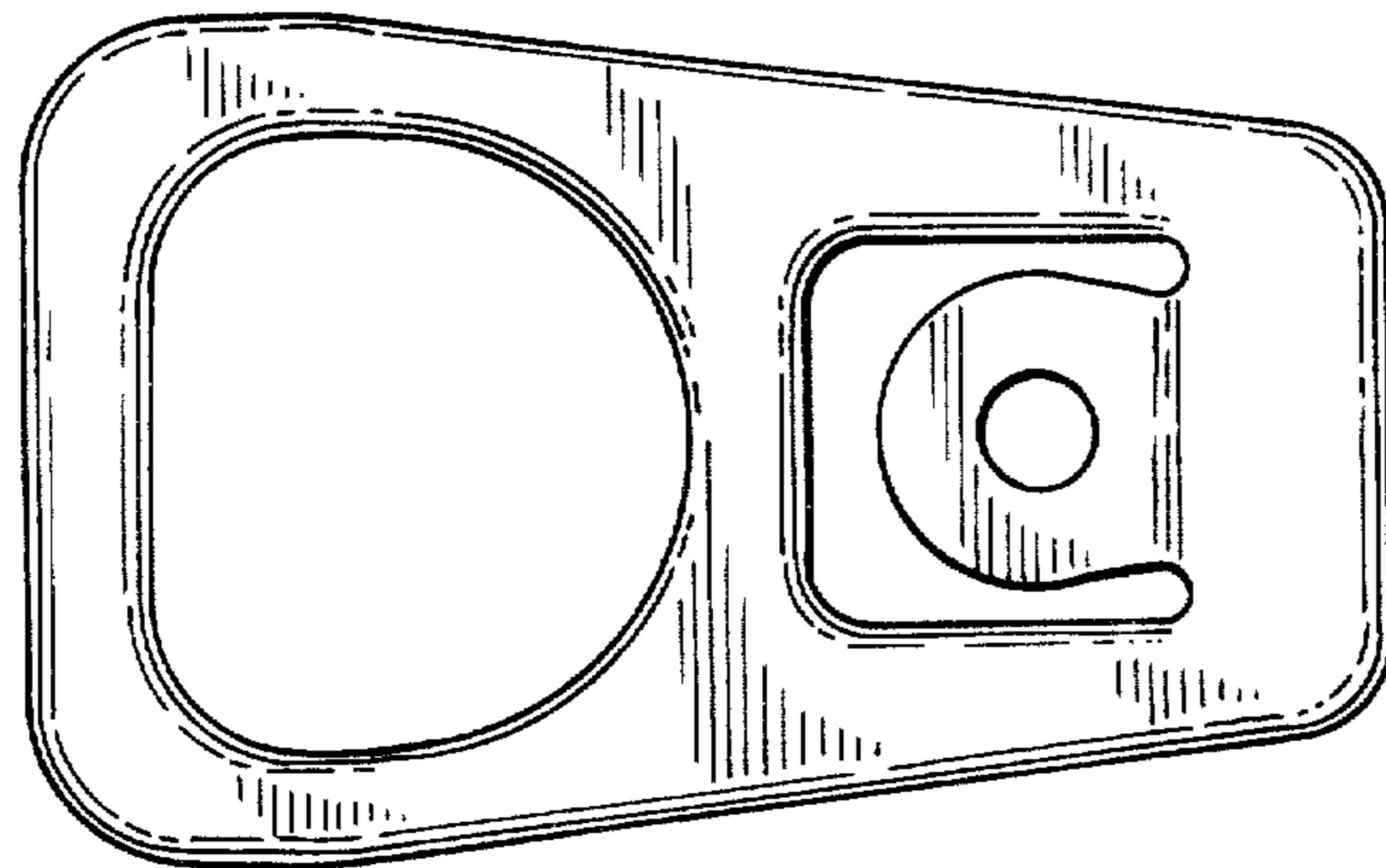


FIG-1-

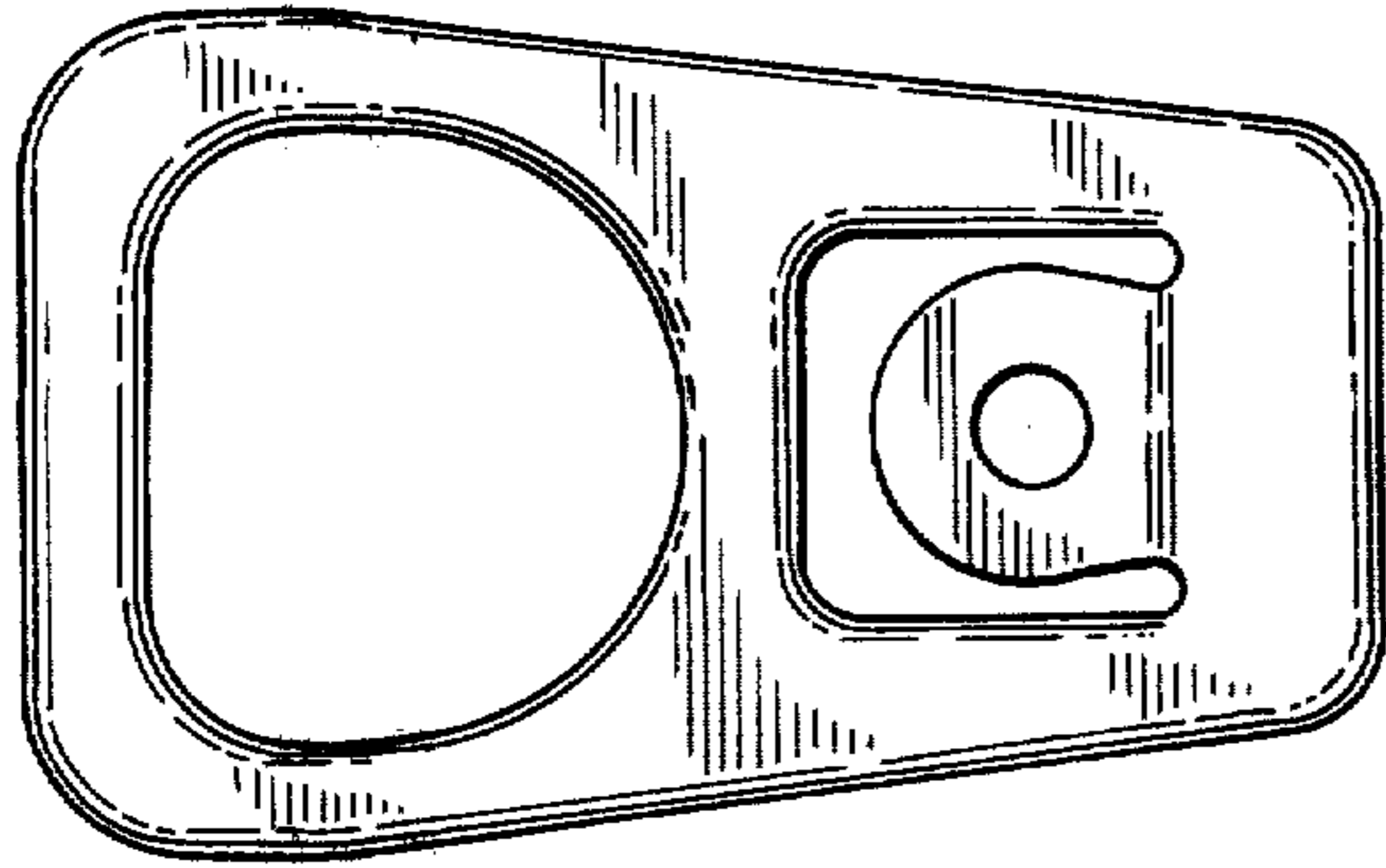


FIG-3-

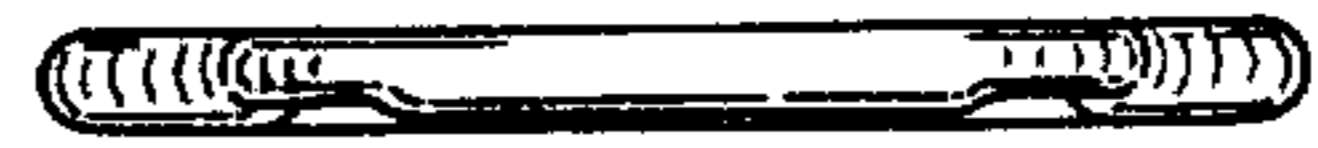


FIG-2-

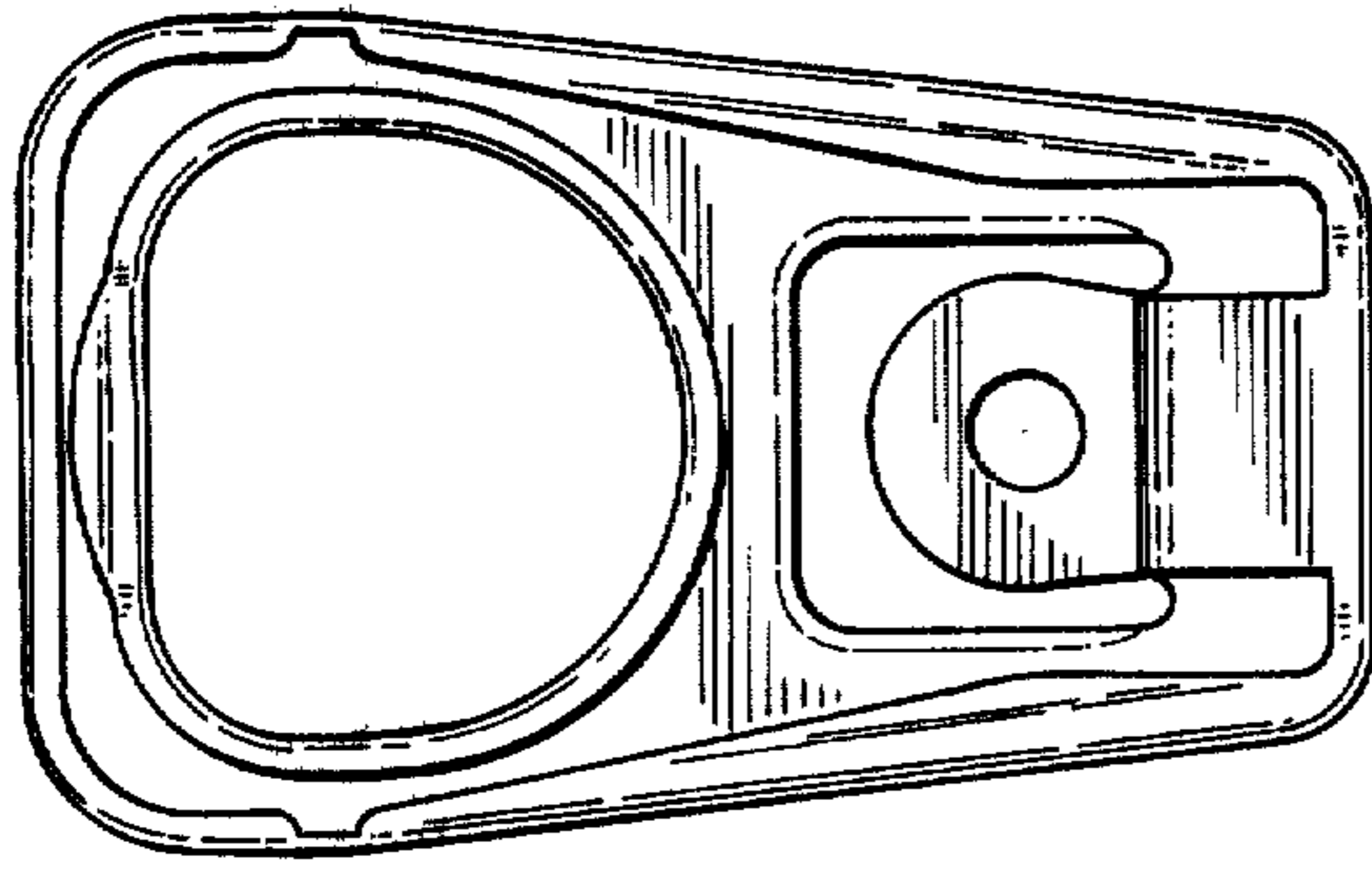


FIG-4-

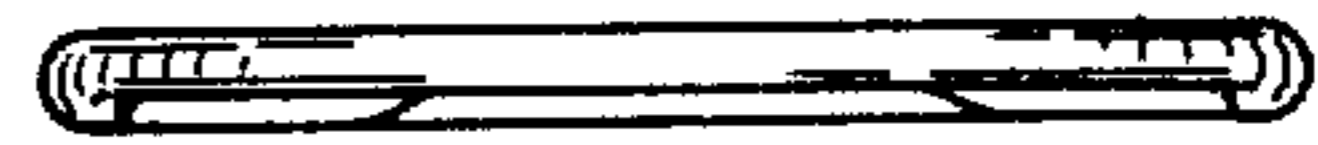


FIG-5-



FIG-6-

