

[54] COMBINED CONTAINER AND CLOSURE FOR PAINT OR THE LIKE

[76] Inventor: Peter A. Woinarski, 162/C Queen St., Woollahra, Sydney, Australia, 2025

[\*\*] Term: 14 Years

[21] Appl. No.: 973

[22] Filed: Jan. 4, 1979

[30] Foreign Application Priority Data

Aug. 2, 1978 [AU] Australia ..... 75479

[51] Int. Cl. .... D9-03

[52] U.S. Cl. .... D9/399; D9/454

[58] Field of Search ..... 220/284, 306, 285, 286, 220/200; D9/351, 399, 435, 454

[56] References Cited

U.S. PATENT DOCUMENTS

2,141,184 12/1938 Hothersall ..... 220/284 X

2,436,193	2/1948	Bristow	.....	220/285
2,467,392	4/1949	Kinberg	.....	220/284
3,329,302	7/1967	Kitchen	.....	220/284
3,362,570	1/1968	Geiger	.....	220/284
3,565,274	2/1971	Davidson	.....	D9/454 X

Primary Examiner—Robert C. Spangler  
Attorney, Agent, or Firm—Kirschstein, Kirschstein, Ottinger & Cobrin

[57] CLAIM

The ornamental design for a combined container and closure for paint or the like, as shown and described.

DESCRIPTION

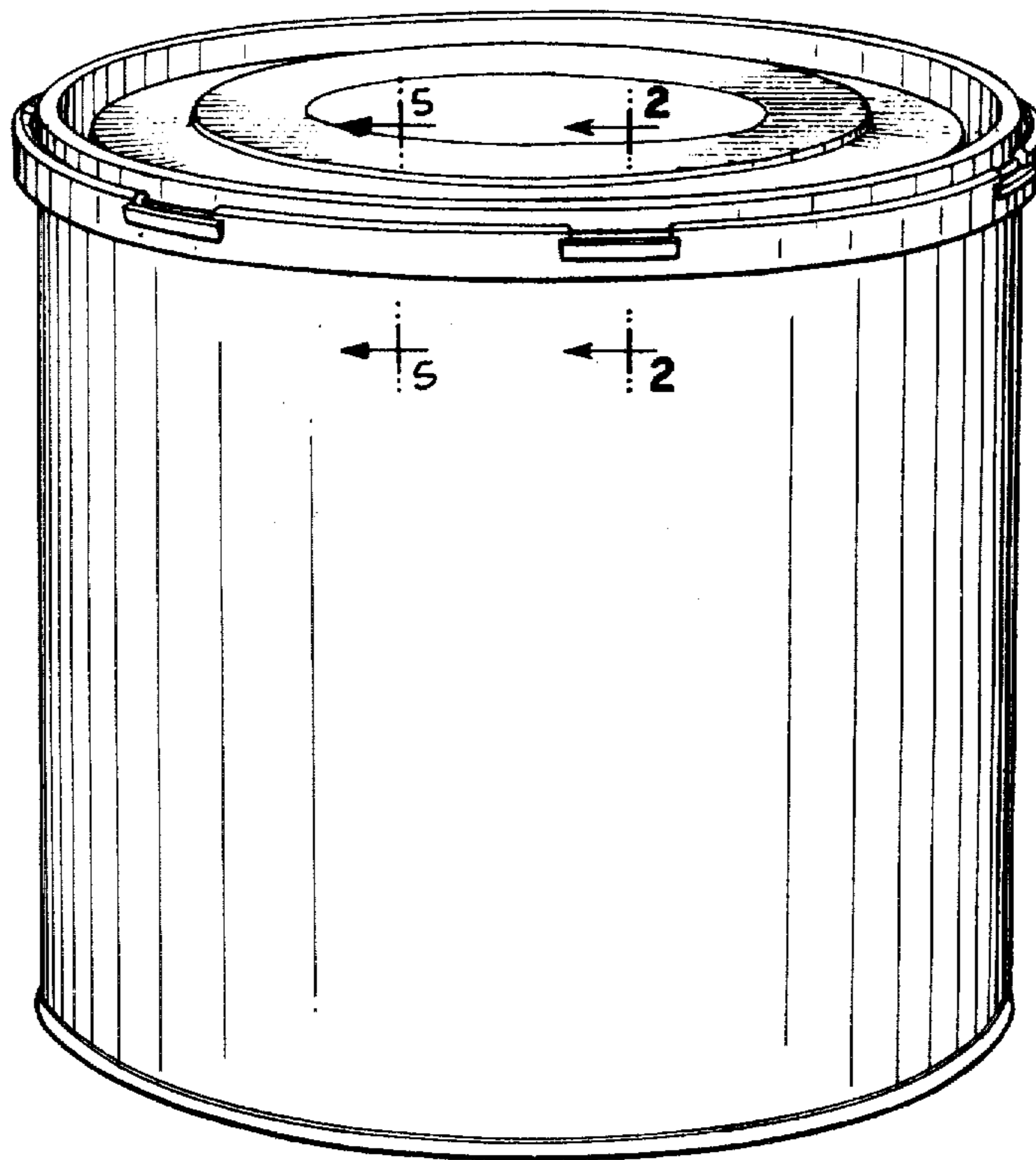
FIG. 1 is a top perspective view of a combined container and closure for paint or the like embodying my new design;

FIG. 2 is an enlarged fragmentary sectional view taken on the line 2-2 of FIG. 1;

FIG. 3 is a side elevational view;

FIG. 4 is a top plan view; and

FIG. 5 is an enlarged fragmentary sectional view taken on the line 5-5 of FIG. 1.



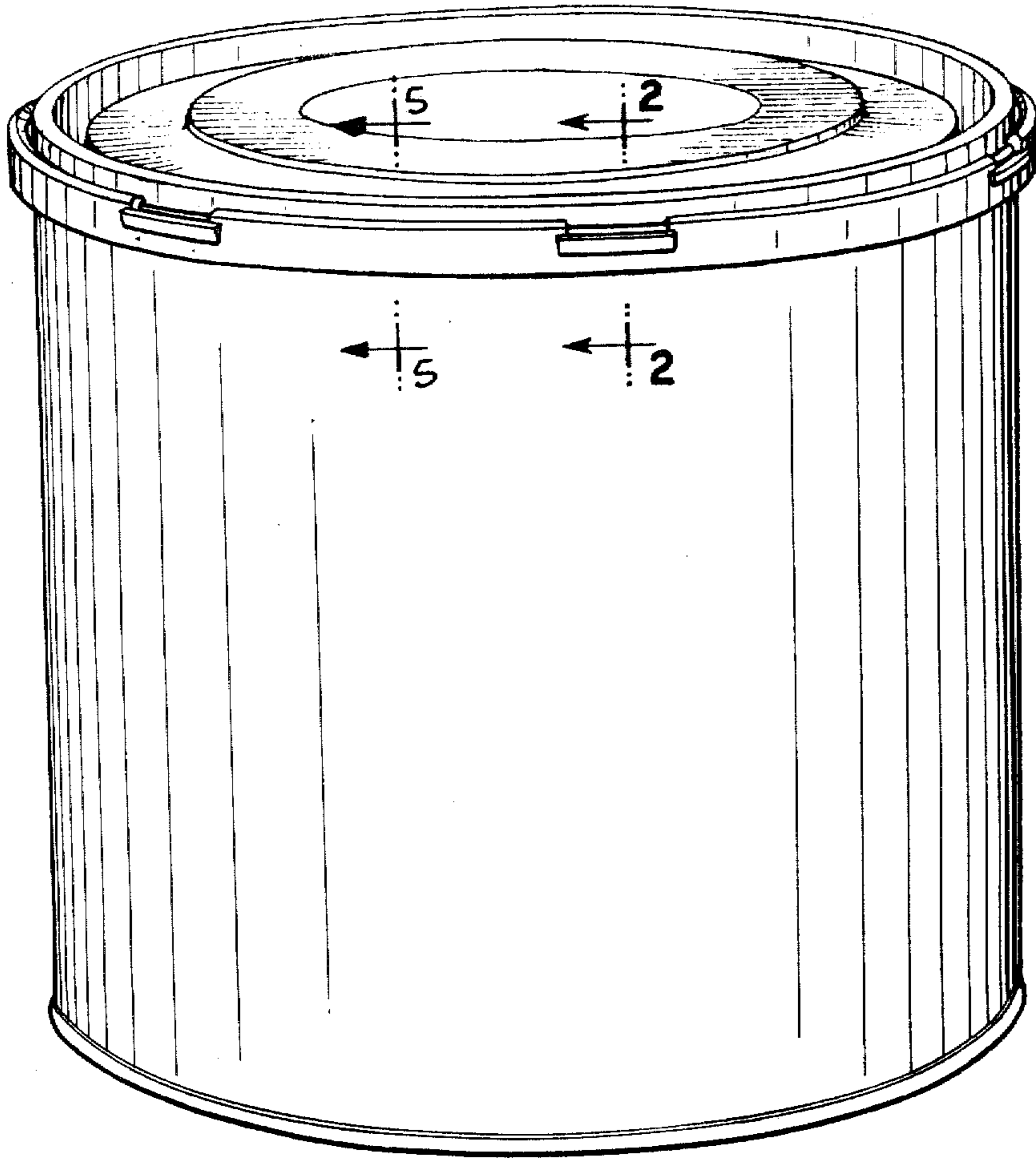


FIG. 1

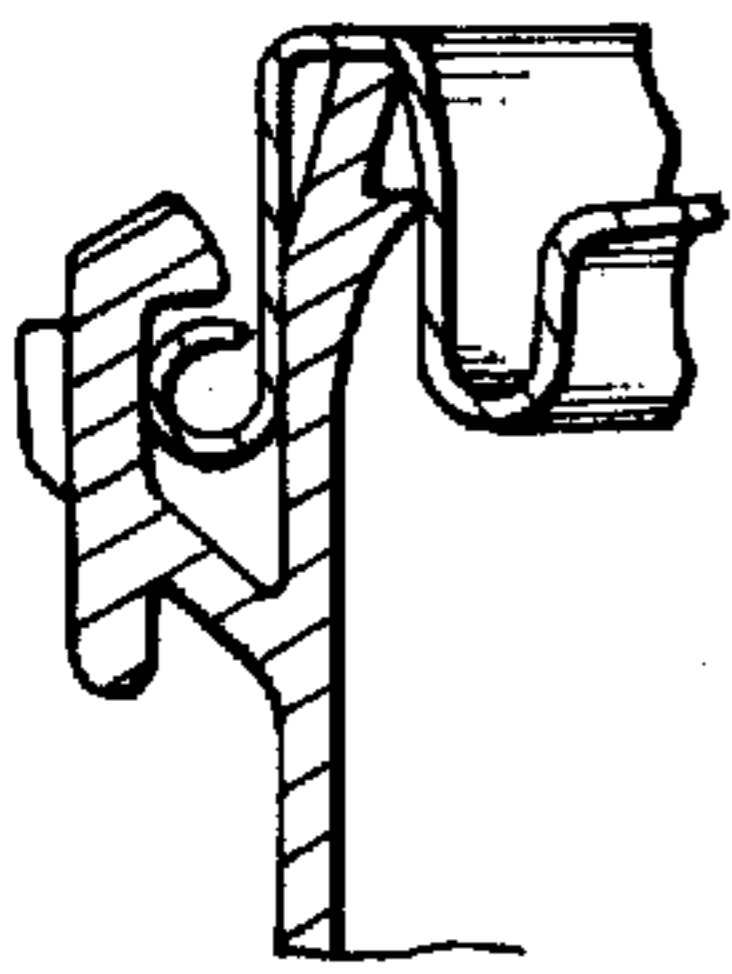


FIG. 5

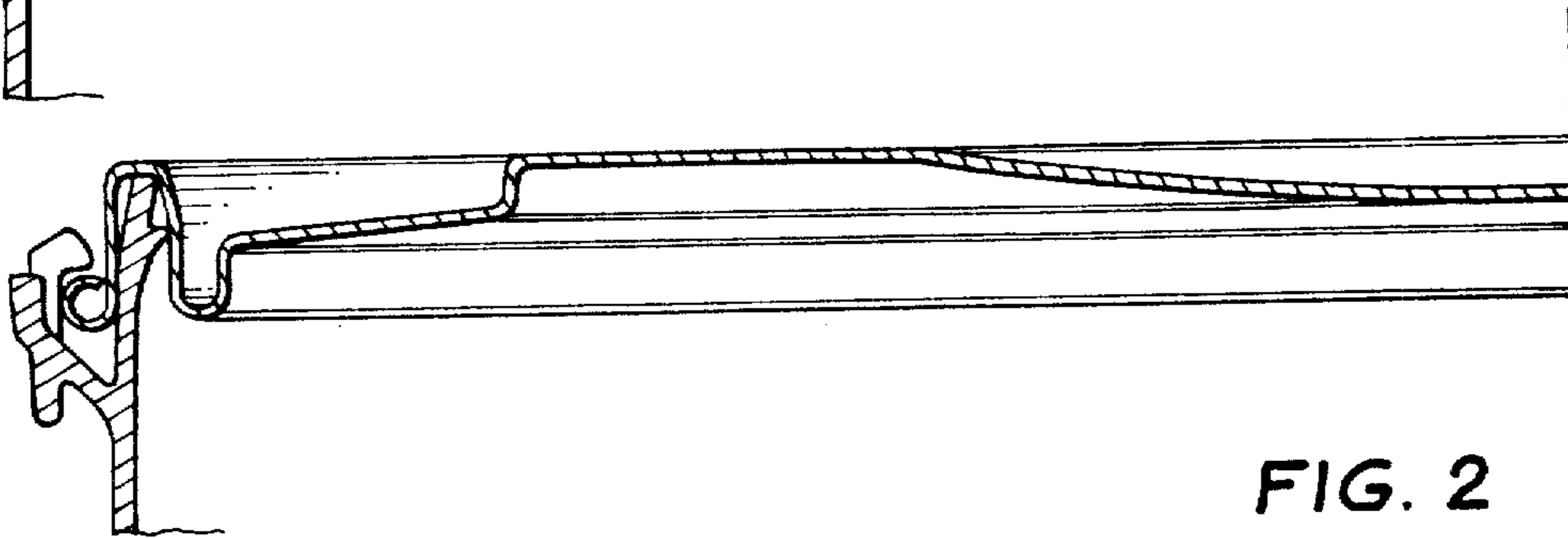


FIG. 2

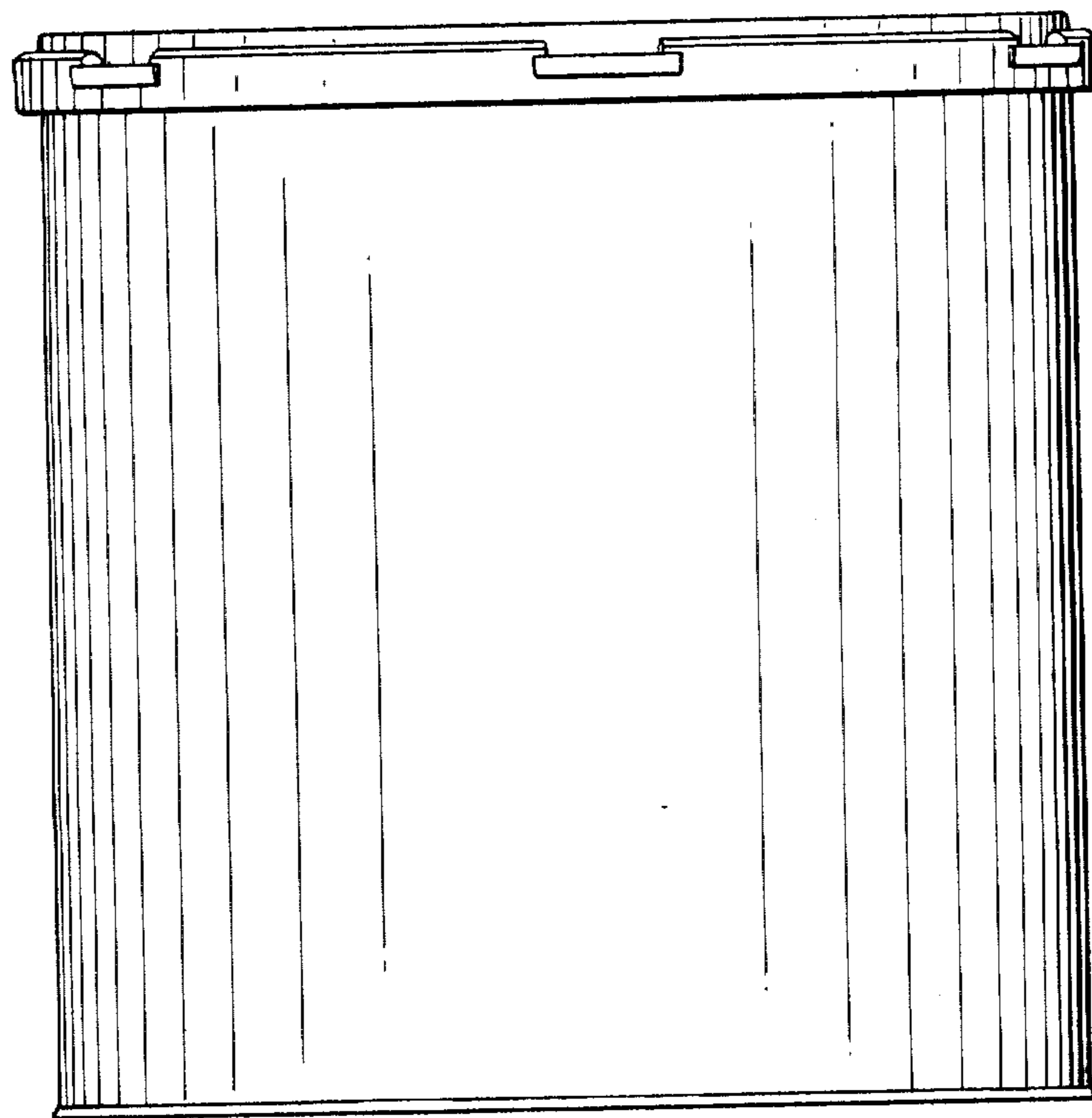


FIG. 3

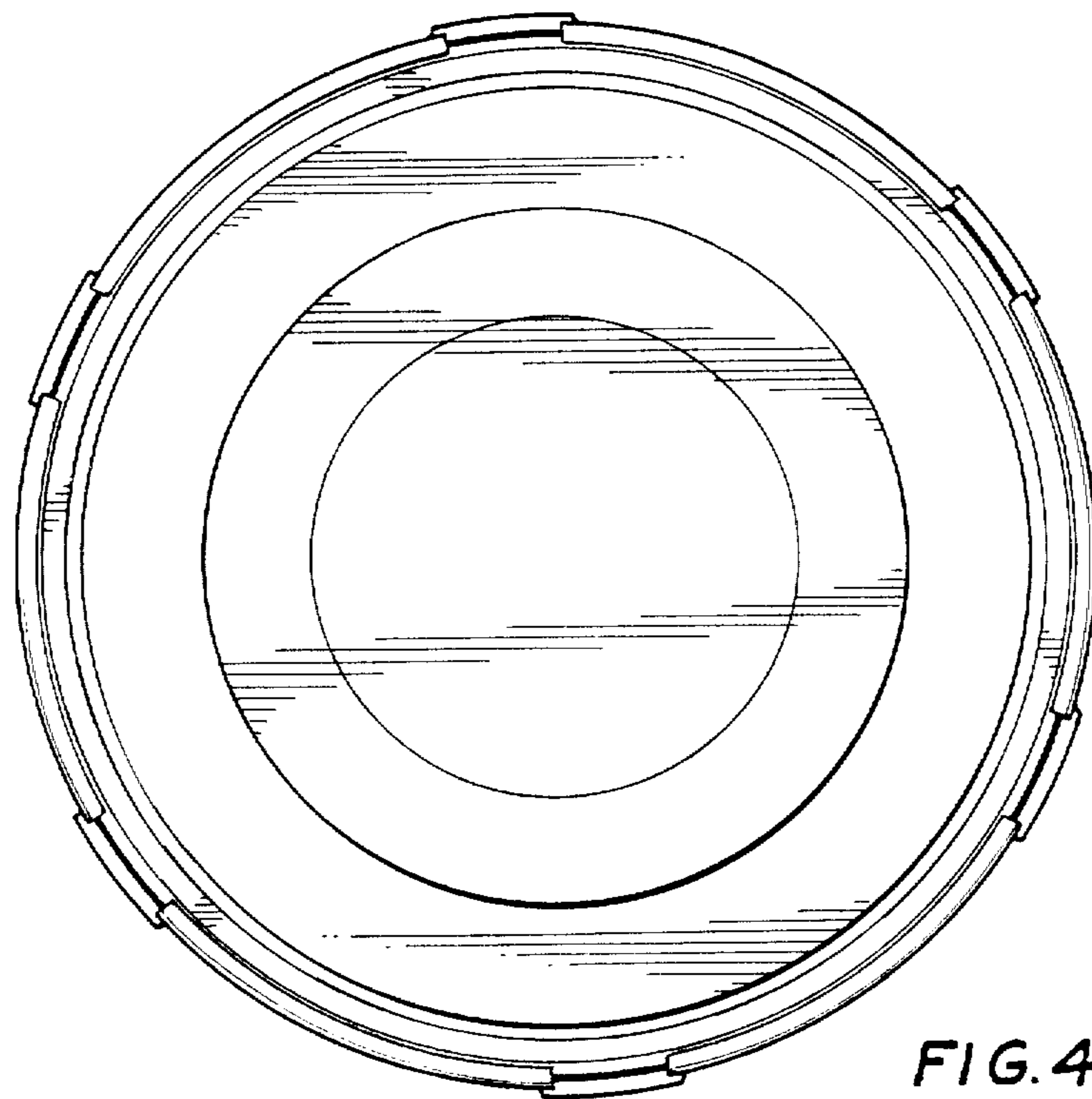


FIG. 4