

[54] COMBINED DISPLAY AND STORAGE CONTAINER FOR TOOLS OR THE LIKE

[75] Inventor: Siu W. Wong, Kowloon, Hong Kong

[73] Assignee: Ching Wah Metal Ware Factory Limited, Kowloon, Hong Kong

[\*\*] Term: 7 Years

[21] Appl. No.: 21,983

[22] Filed: Mar. 19, 1979

[51] Int. Cl. .... D9-03

[52] U.S. Cl. .... D9/347; D9/424; D9/432

[58] Field of Search ..... 229/15; 206/349, 234; D9/184-189, 341-348, 425-432

[56] References Cited

U.S. PATENT DOCUMENTS

- D. 153,636 5/1949 Reinecke ..... D9/185
- D. 168,287 12/1952 Burgess ..... D9/185

- D. 206,923 2/1967 Aylott ..... D9/187
- D. 207,279 3/1967 Sellen et al. .... D9/185
- D. 217,436 5/1970 Aylott ..... D9/187
- D. 240,199 6/1976 Perfect ..... D9/185

Primary Examiner—Robert C. Spangler  
Attorney, Agent, or Firm—Wenderoth, Lind & Ponack

[57] CLAIM

The ornamental design for a combined display and storage container for tools or the like, substantially as shown.

DESCRIPTION

FIG. 1 is a front perspective view of a combined display and storage container for tools or the like showing my new design;

FIG. 2 is a rear perspective view;

FIG. 3 is a view similar to FIG. 1 with the transparent lid raised;

FIG. 4 is a plan view with the lid raised, and on an enlarged scale; and

FIG. 5 is a section along line 5-5 of FIG. 4.

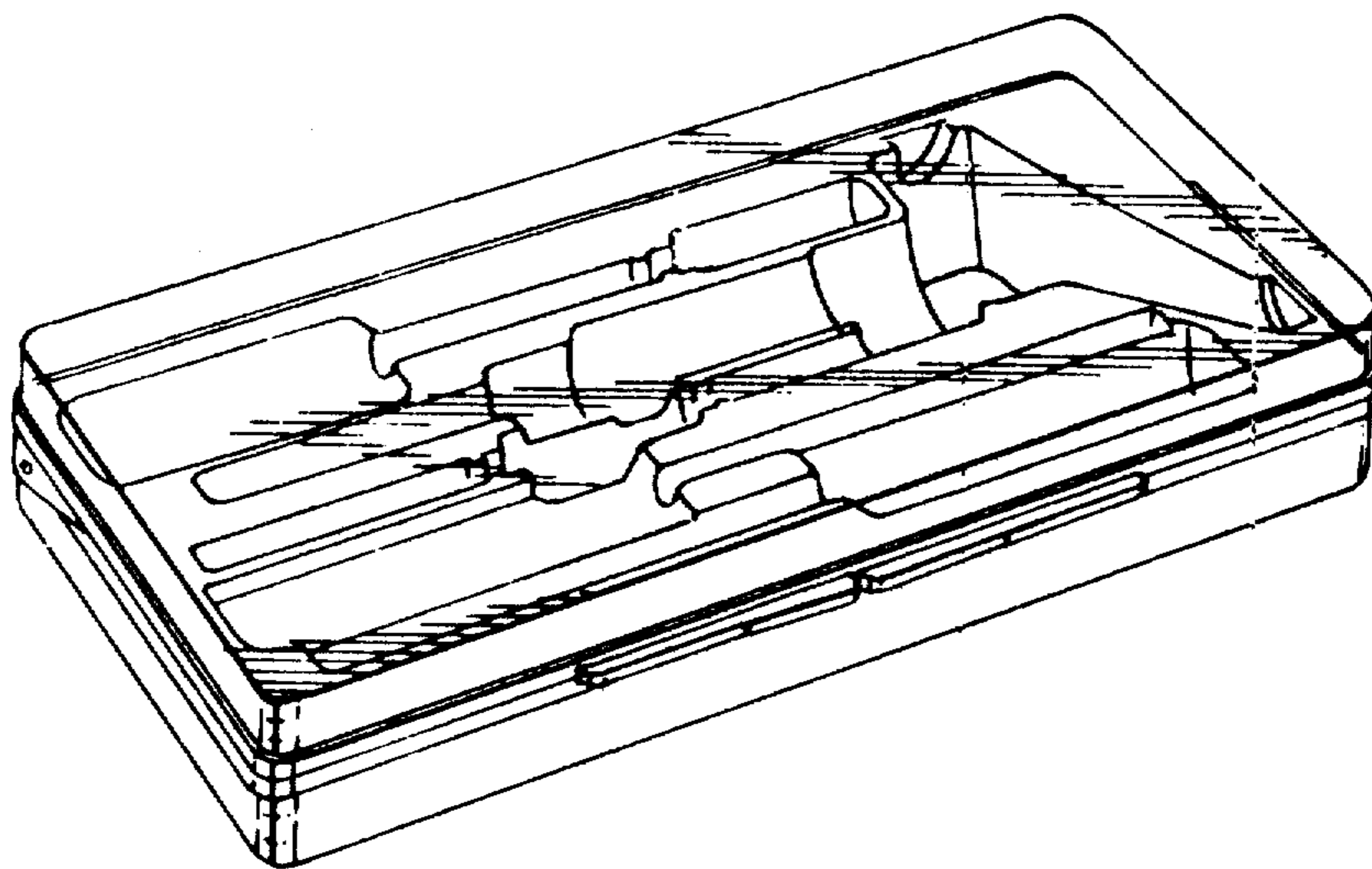


FIG. 1

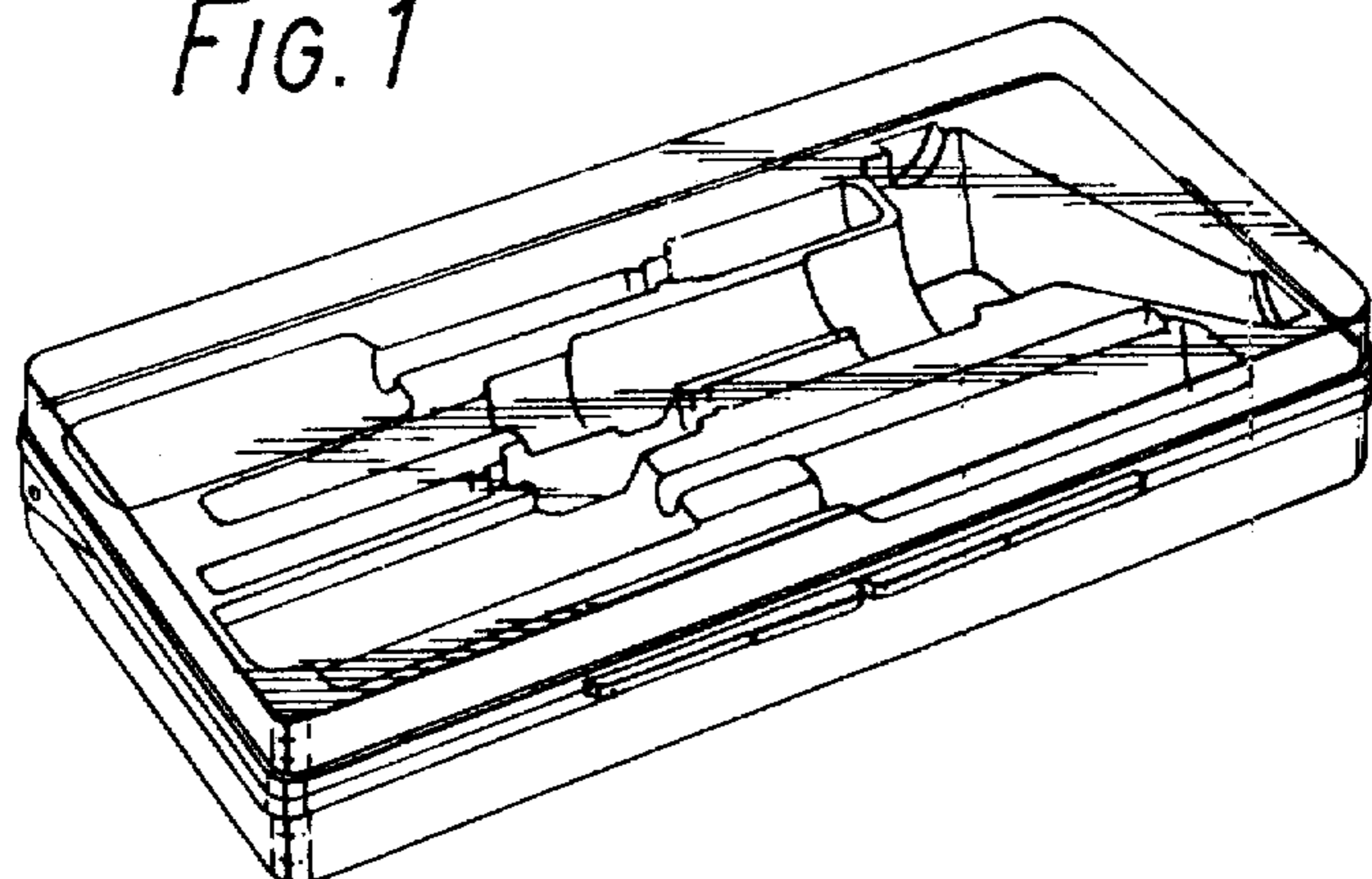


FIG. 2

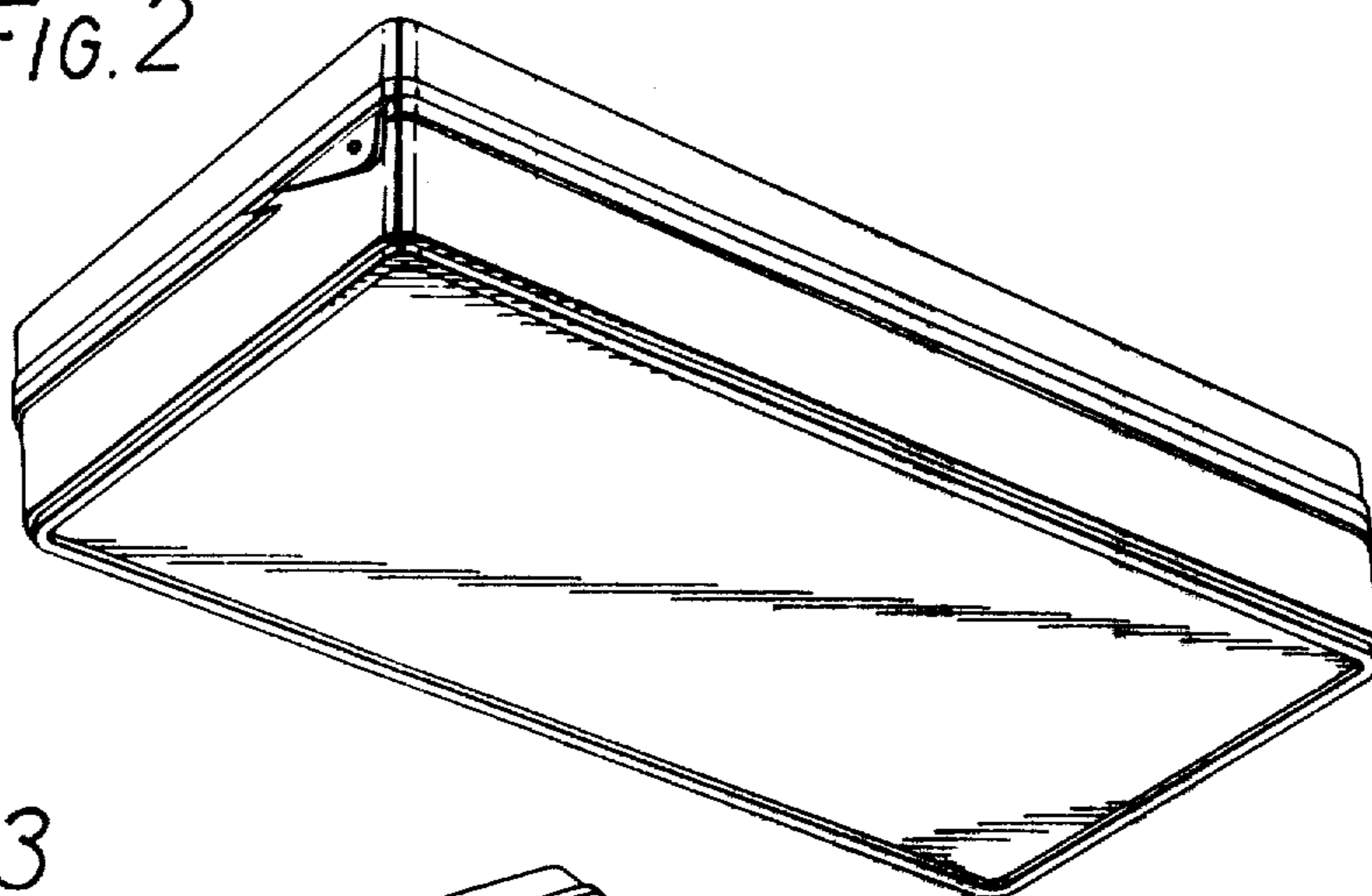
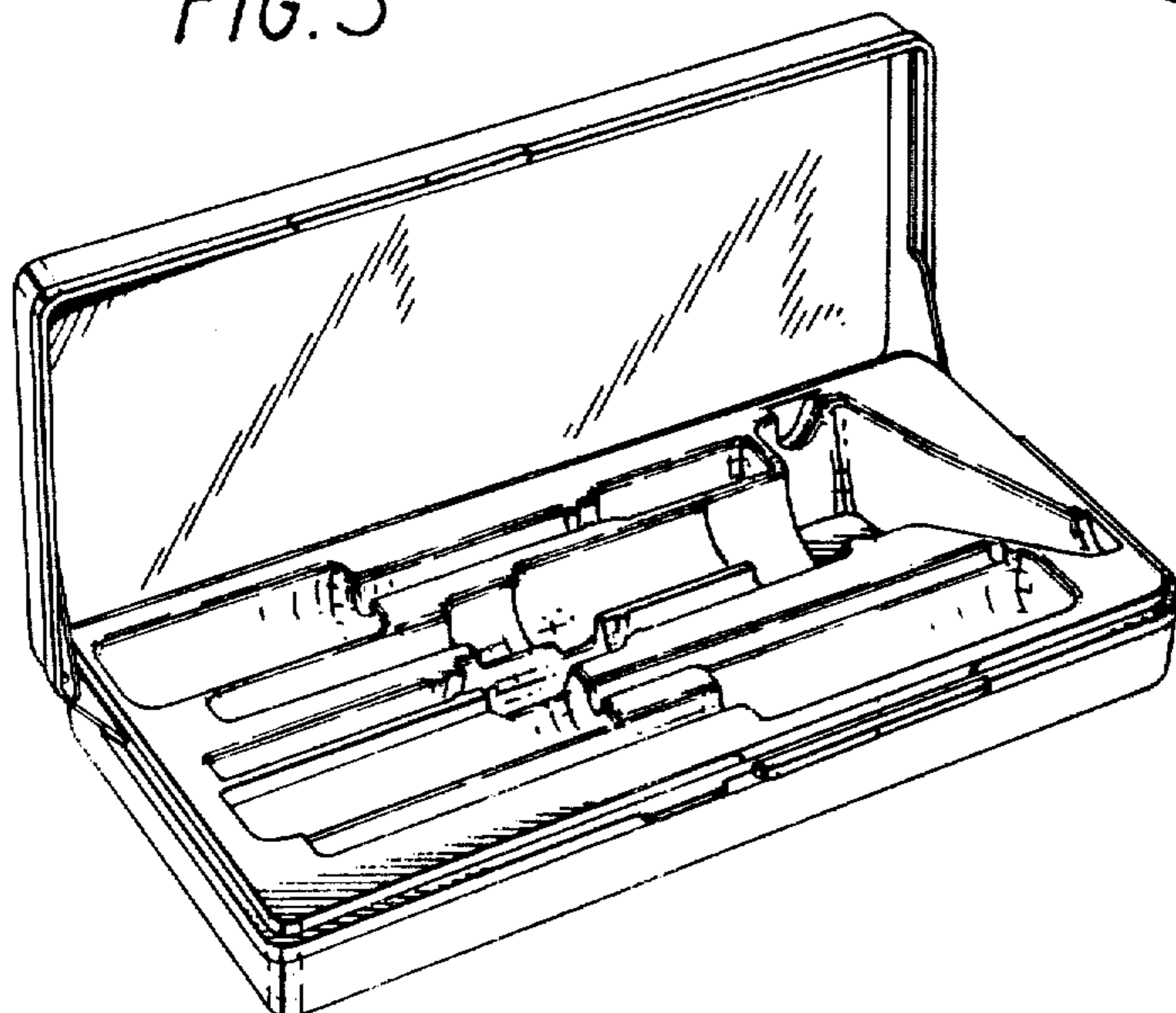


FIG. 3



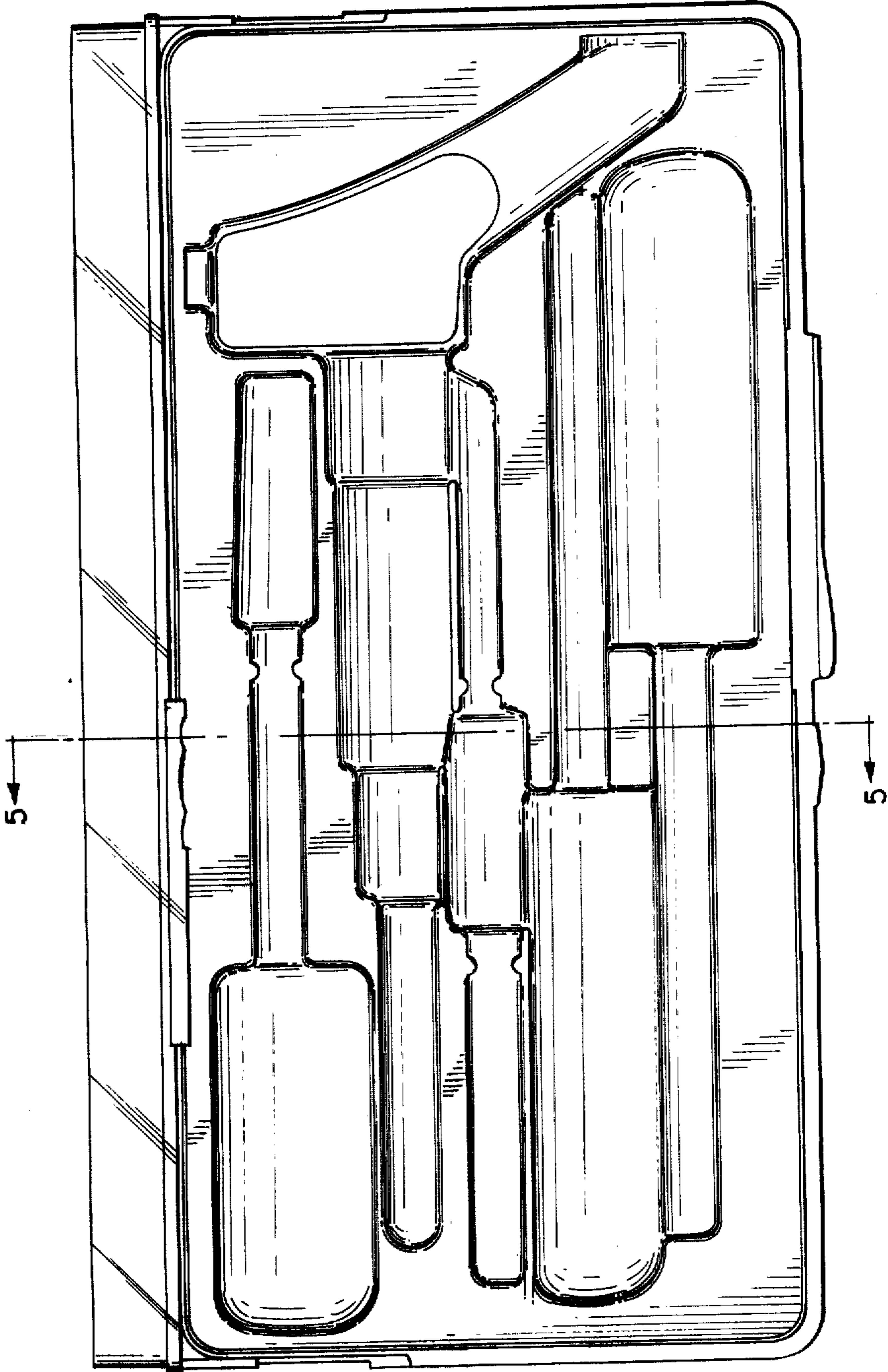


FIG. 4

*FIG. 5*

