

[54] EXTERNALLY RELEASING LATCH

[75] Inventor: Robert S. Wallace, Los Angeles, Calif.

[73] Assignee: Dan F. Wallace, Karlua-Kona, Hi.

[**] Term: 14 Years

[21] Appl. No.: 122,879

[22] Filed: Feb. 19, 1980

[51] Int. Cl. D8-07

[52] U.S. Cl. D8/331

[58] Field of Search D8/330, 331, 338, 343; 70/468, 472; 292/175, 358, 355, 143, 144, 145

[56] References Cited

U.S. PATENT DOCUMENTS

- D. 120,366 5/1940 Thorp D8/331
- D. 227,435 6/1973 Brown D8/331 X
- 2,729,489 1/1956 Westover 292/143

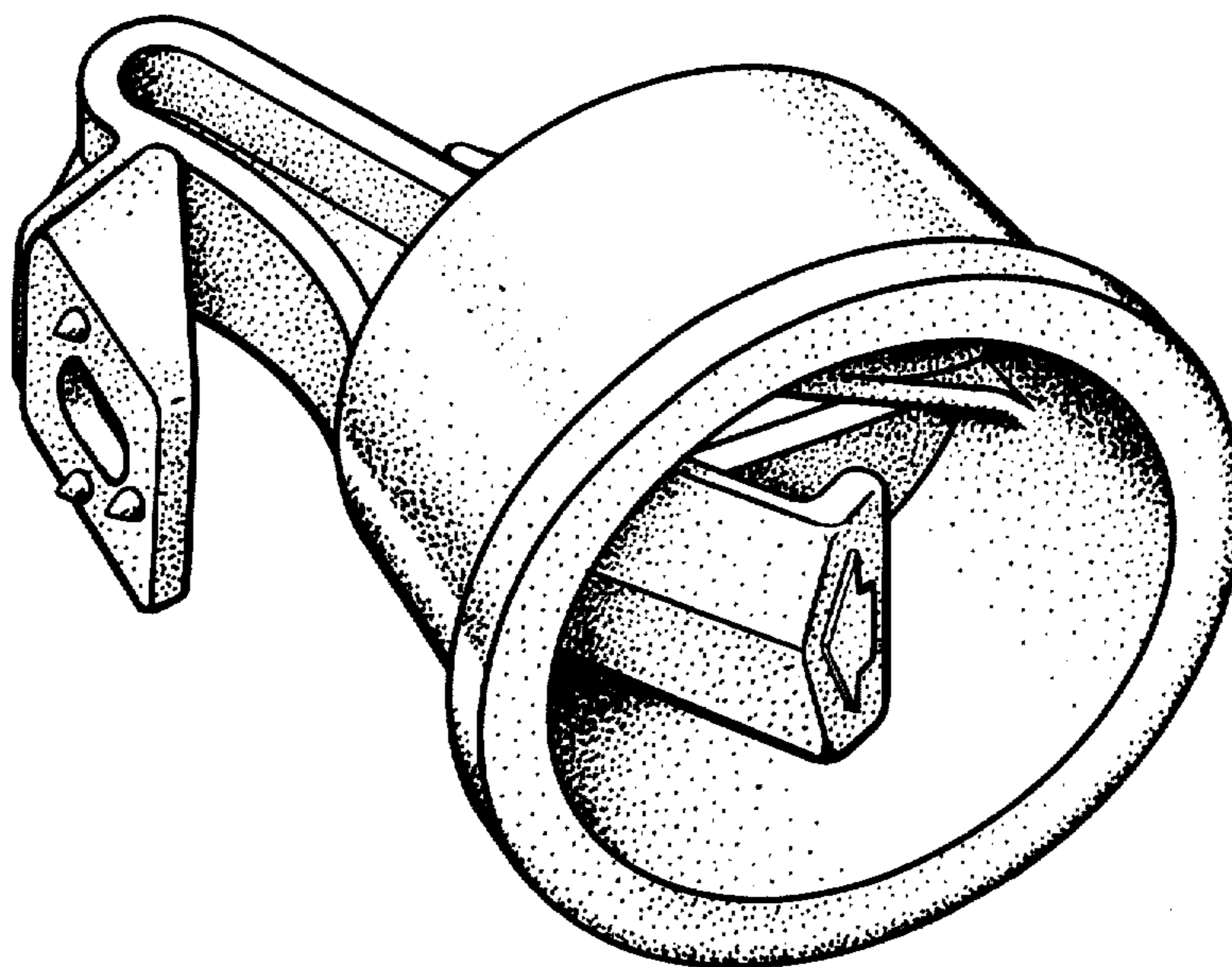
Primary Examiner—A. Hugo Word
Attorney, Agent, or Firm—William W. Haefliger

[57] CLAIM

The ornamental design for an externally releasing latch, substantially as shown and described.

DESCRIPTION

FIG. 1 is a perspective view showing the front, left side and top of the externally releasing latch; and FIG. 2 is a perspective view showing the rear, right side and bottom of the externally releasing latch.



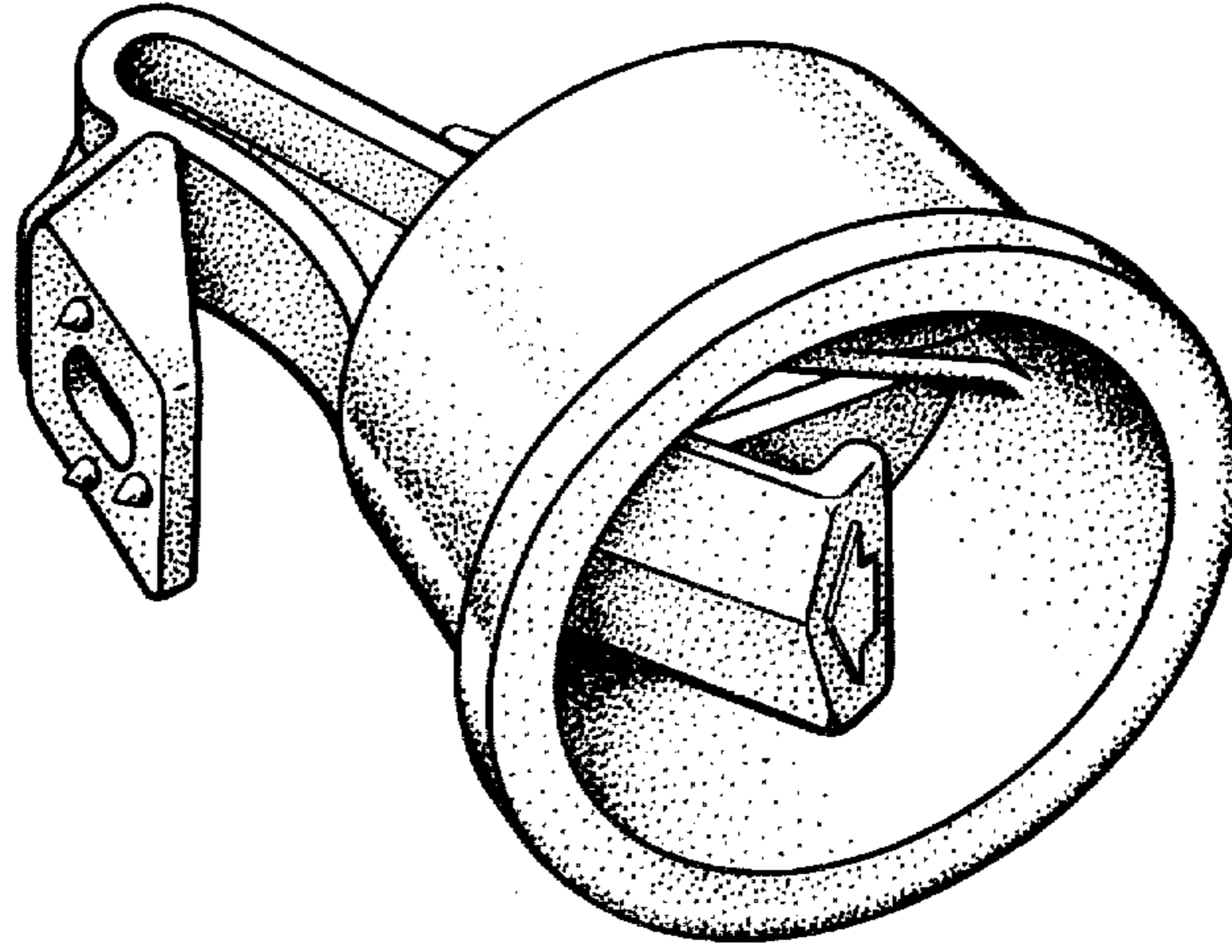


FIG. -1

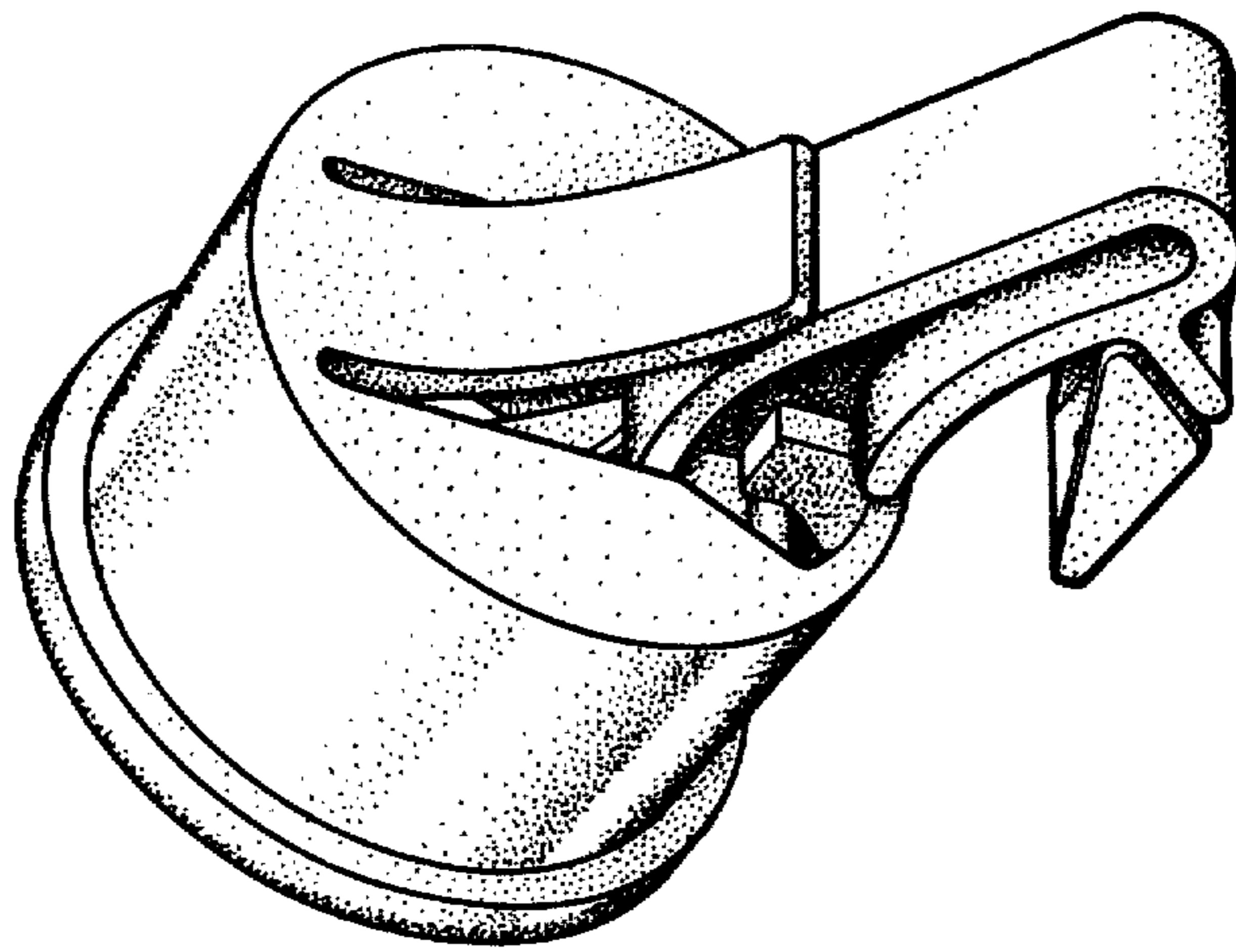


FIG. -2