

[54] PROP LOCK

[76] Inventor: **Gerald J. Curtis**, 8806 Glen Loch,  
Houston, Tex. 77017

[\*\*] Term: **14 Years**

[21] Appl. No.: **84,993**

[22] Filed: **Oct. 5, 1979**

[51] Int. Cl. .... **D8—07**  
[52] U.S. Cl. .... **D8/331; D8/399**  
[58] Field of Search ..... 70/57, 229, 259, 260,  
70/19, 58; D8/331, 399

[56]

**References Cited**

**U.S. PATENT DOCUMENTS**

D. 133,034 7/1942 George ..... D8/331  
2,996,909 8/1961 Raye ..... 70/57  
4,057,985 11/1977 Stahl ..... 70/259 X  
4,258,559 3/1981 Linn ..... 70/229 X

**FOREIGN PATENT DOCUMENTS**

1372745 11/1974 United Kingdom ..... 70/229

*Primary Examiner*—A. Hugo Word

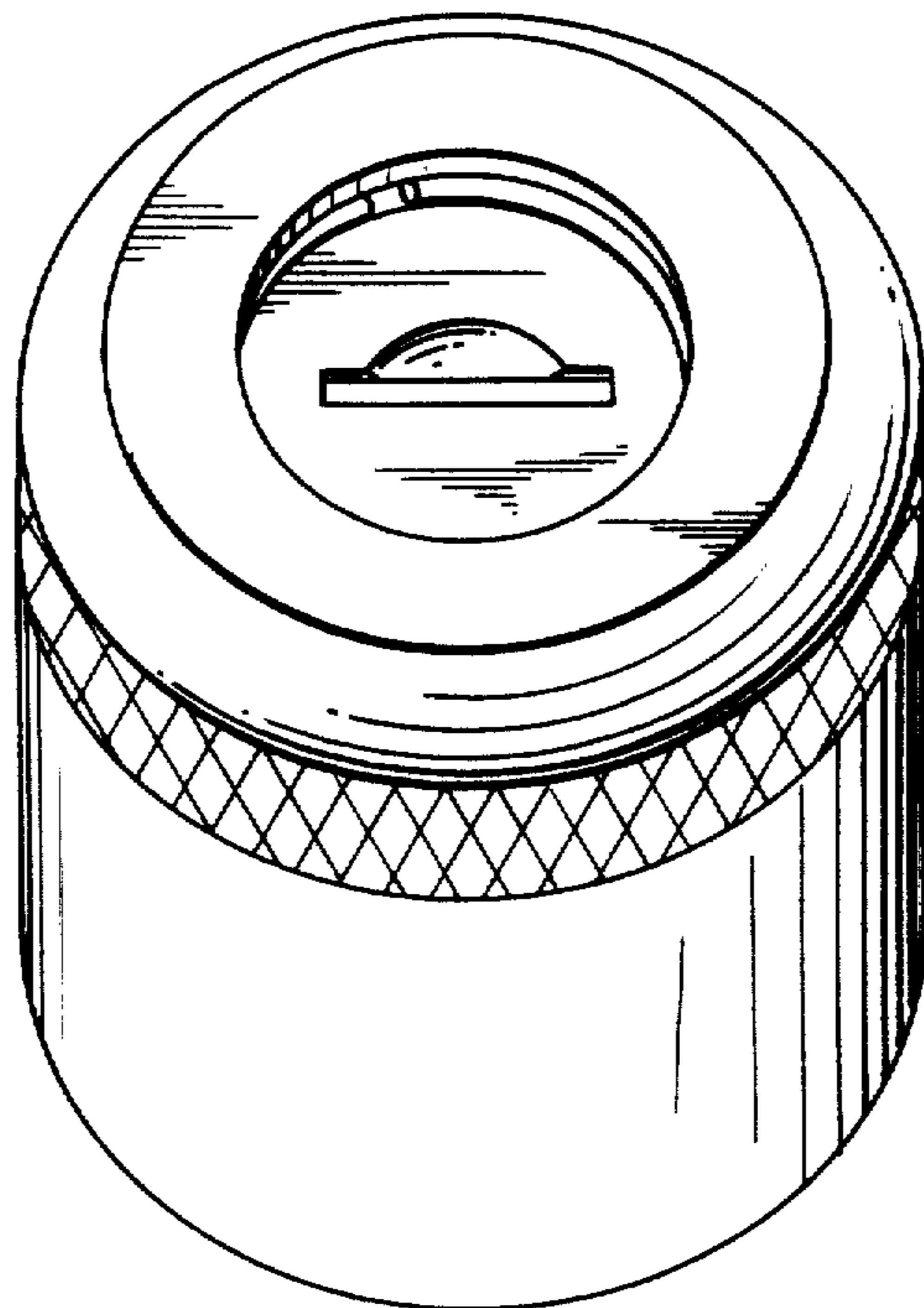
[57]

**CLAIM**

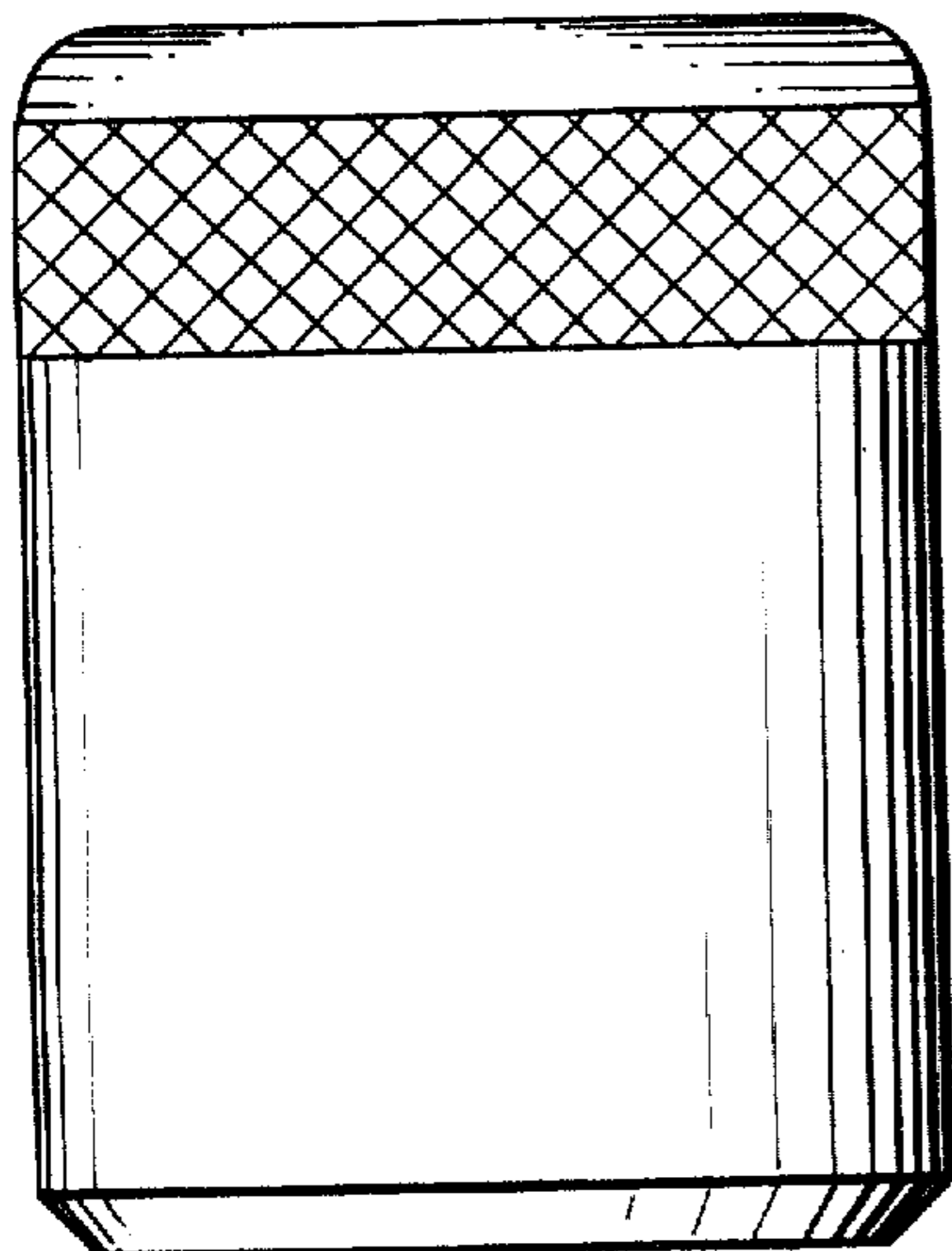
The ornamental design for a prop lock, as shown.

**DESCRIPTION**

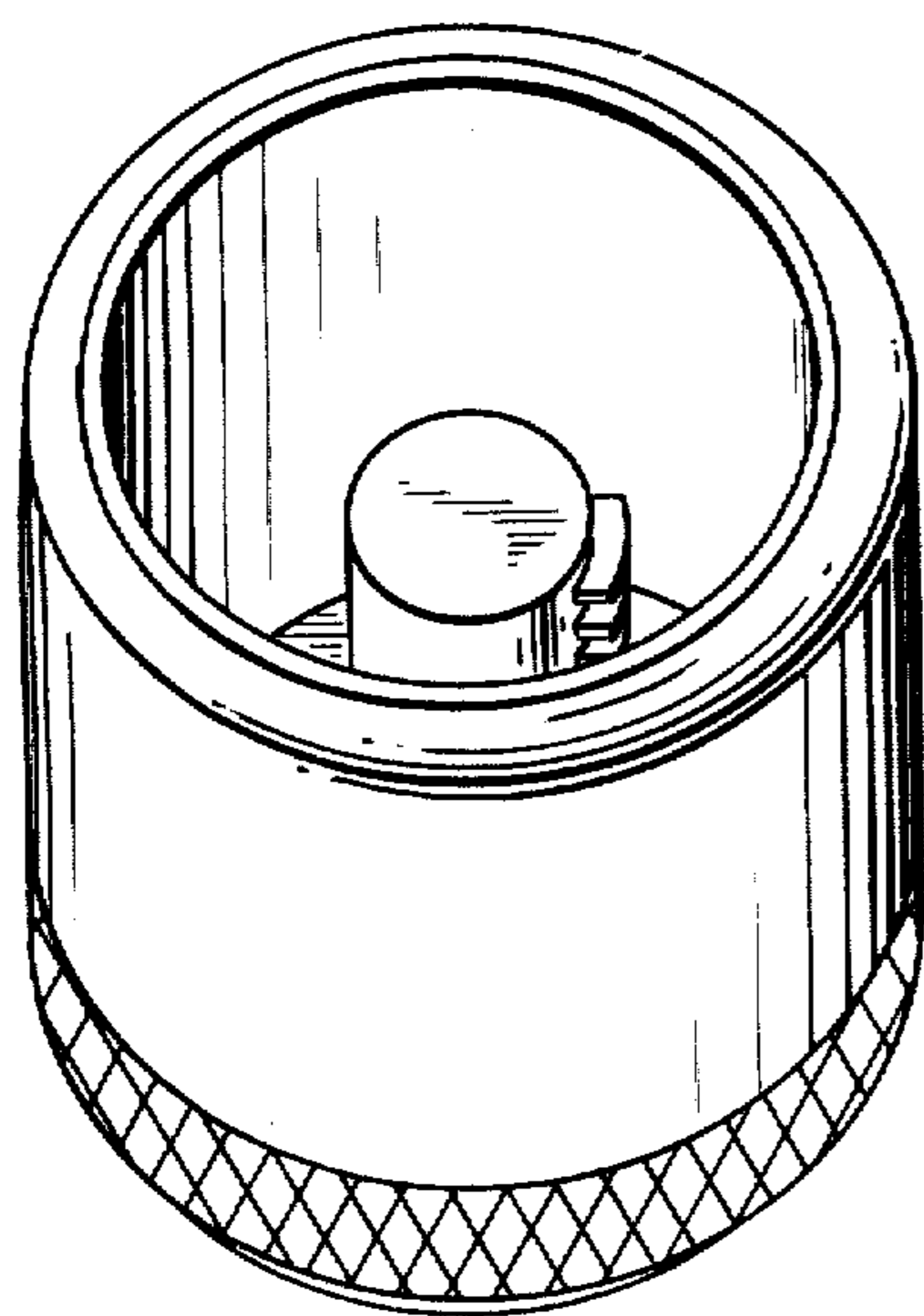
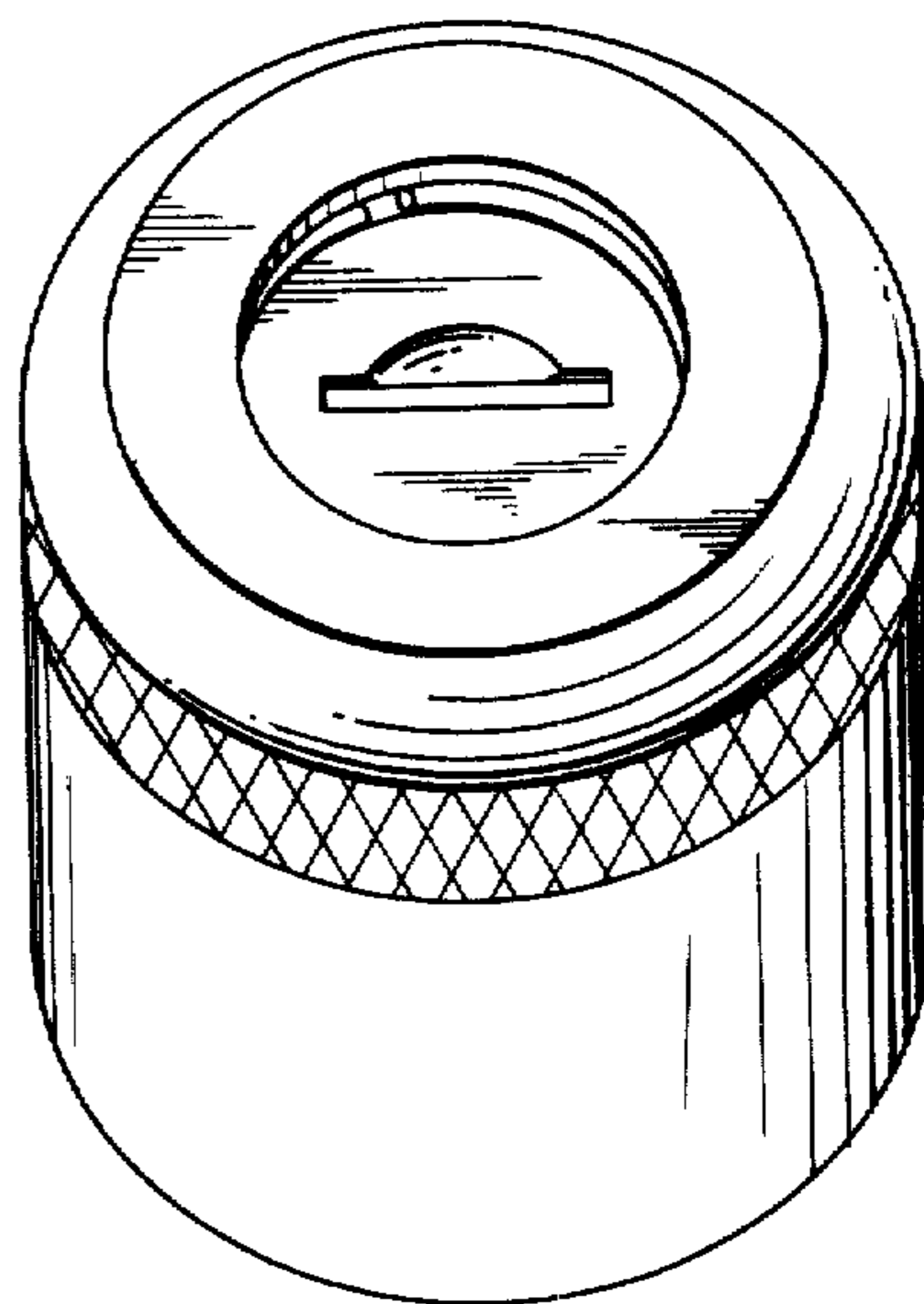
FIG. 1 is a side view of the prop lock design of the present invention;  
FIG. 2 is a top perspective view; and  
FIG. 3 is a bottom perspective view.



*Fig. 1*



*Fig. 2*



*Fig. 3*