

[54] WEED PULLER OR THE LIKE

[76] Inventors: Charles F. Rodgers, 9007 Noroad, Jacksonville, Fla. 32210; Herman R. Rodgers, P.O. Box 43, Ellerslie, Ga. 31807

[**] Term: 14 Years

[21] Appl. No.: 111,586

[22] Filed: Jan. 14, 1980

[51] Int. Cl. D8-01

[52] U.S. Cl. D8/4

[58] Field of Search D8/1, 3, 4, 5; 294/50.5, 50.6, 50.8, 50.9

[56] References Cited

U.S. PATENT DOCUMENTS

D. 215,806	11/1969	Clark	D8/4
1,025,360	5/1912	Auter	294/50.5
1,486,755	3/1924	Ingersoll	294/50.5
2,358,632	9/1944	Gerken	294/50.8
2,957,722	10/1960	Ferraro	D8/48 X

Primary Examiner—A. Hugo Word
Attorney, Agent, or Firm—Arthur G. Yeager

[57] CLAIM

The ornamental design for a weed puller or the like, substantially as shown.

DESCRIPTION

FIG. 1 is a front elevational view of the weed puller or the like with the jaws in open condition and showing our new design;

FIG. 2 is a right side elevational view, the left side elevational view being the mirror image thereof;

FIG. 3 is a rear elevational view thereof;

FIG. 4 is an enlarged front elevational view similar to FIG. 1 with the jaws in closed position and part of the elongated vertical tube being broken away for clarity of illustration;

FIG. 5 is an enlarged side elevational view similar to FIG. 2 with the elongated vertical tube being broken away for clarity of illustration;

FIG. 6 is an enlarged rear elevational view similar to FIG. 3 with the jaws in closed position and part of the elongated tube being broken away for clarity of illustration;

FIG. 7 is an enlarged top plan view thereof with the jaws in closed position;

FIG. 8 is an enlarged top plan view thereof with the jaws in open position; and

FIG. 9 is a bottom plan view thereof with the jaws in closed position.

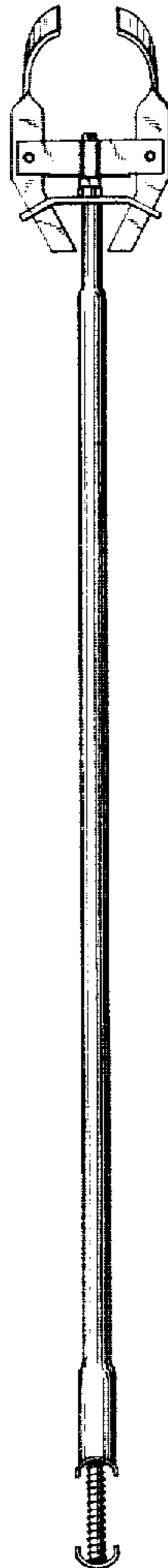


FIG. 1

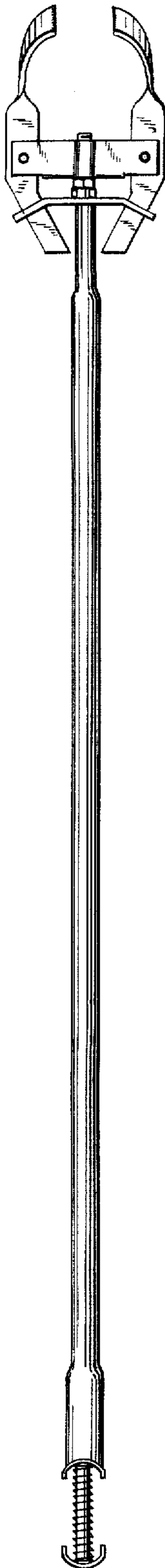


FIG. 2

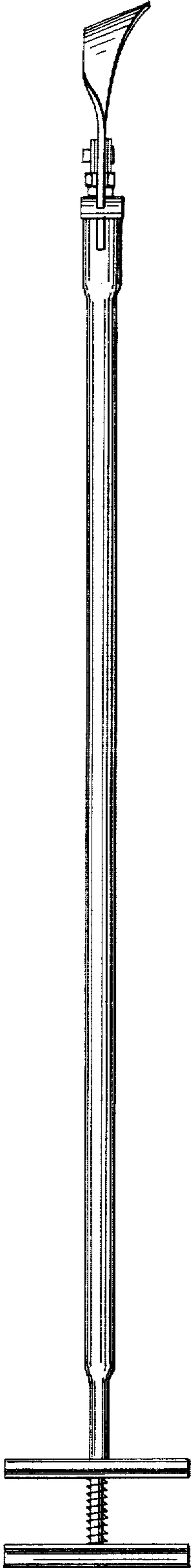


FIG. 3

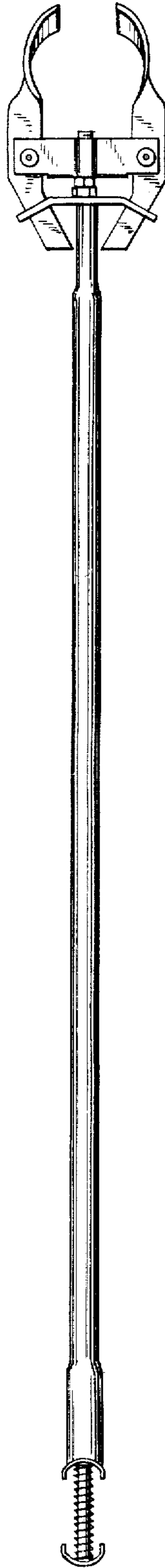


FIG. 4

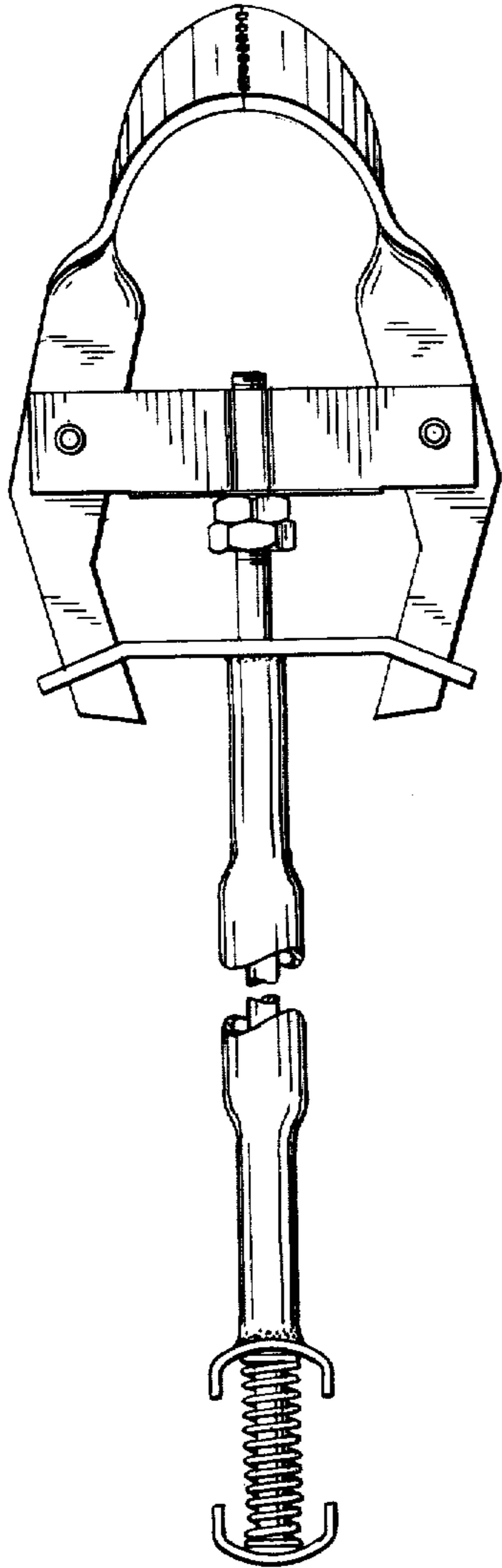


FIG. 5

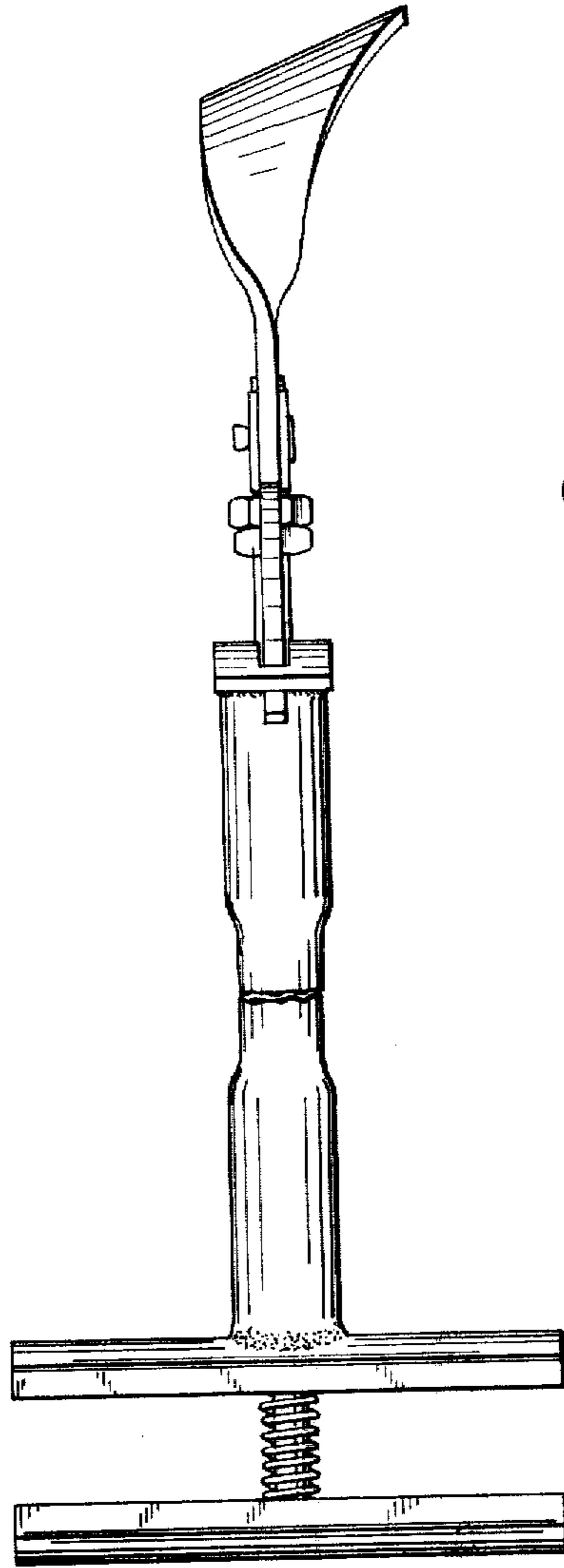


FIG. 6

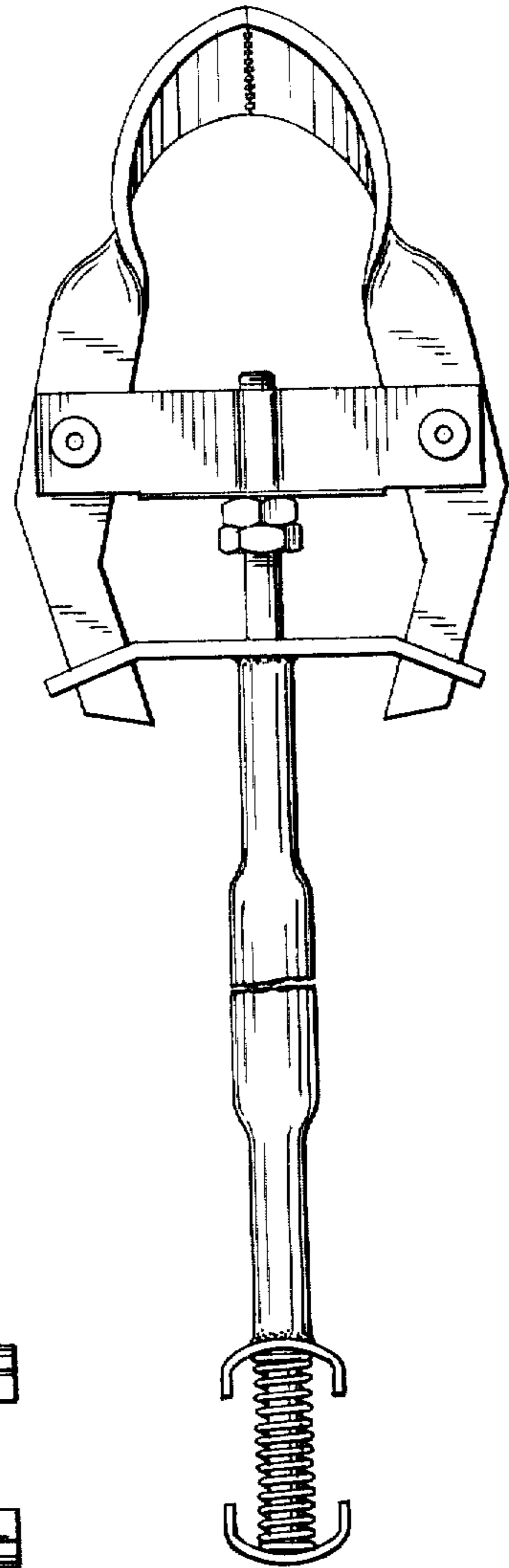


FIG. 7

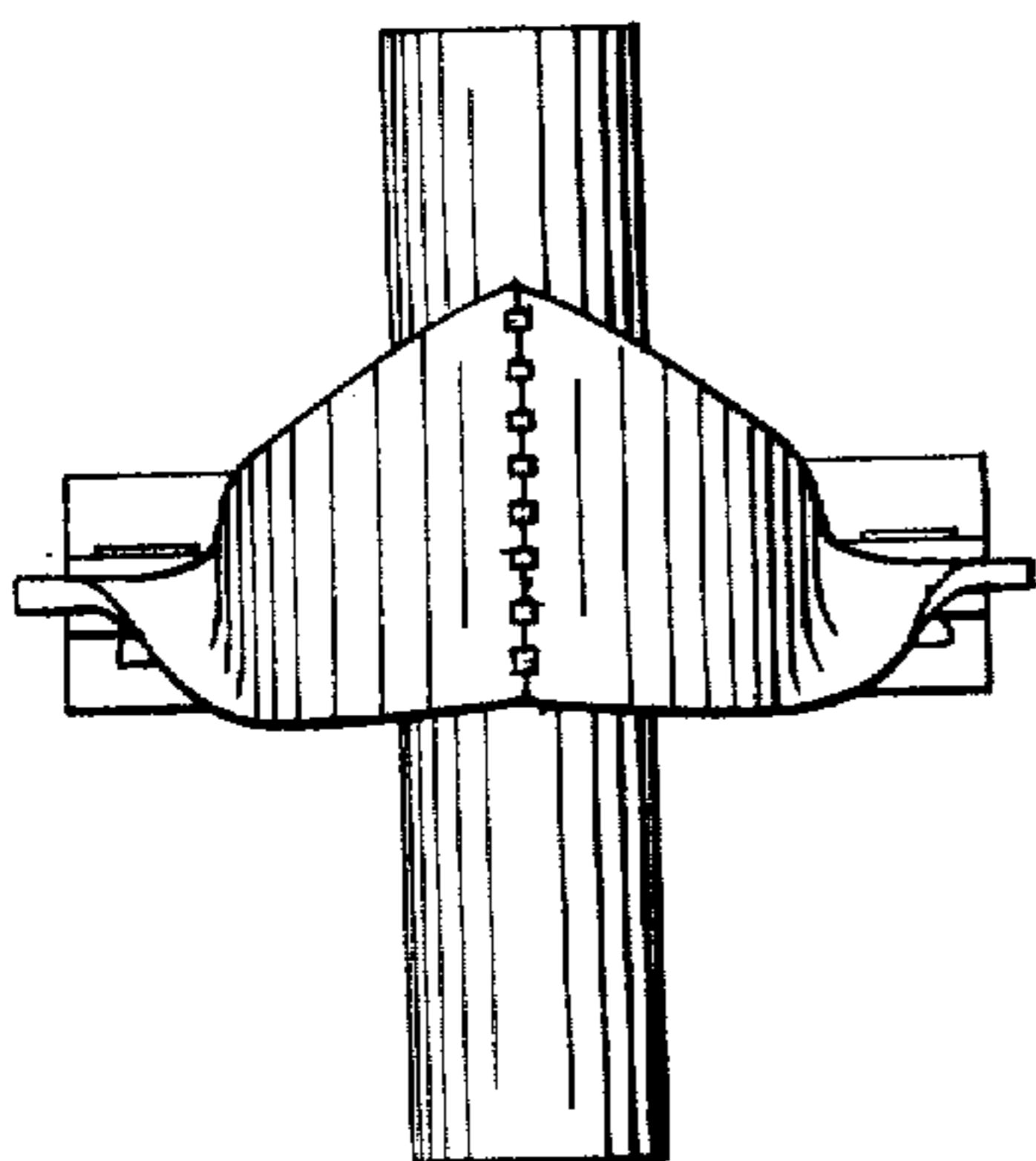


FIG. 8

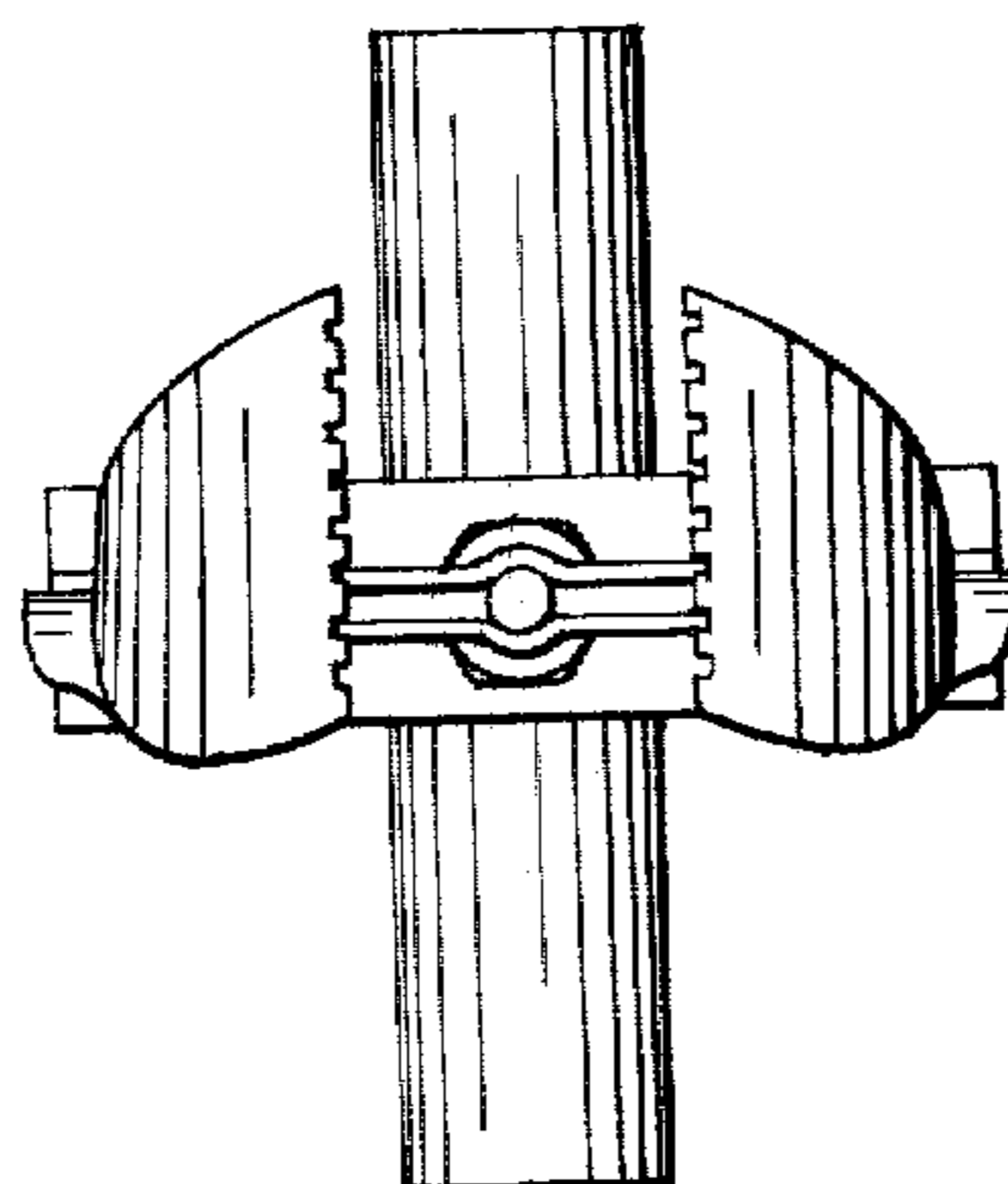


FIG. 9

