

[54] PORTABLE ELECTRIC AIR BLOWER AND VACUUM

[75] Inventor: Anthony Carsello, Chino, Calif.

[73] Assignee: Allegretti & Company, Chatsworth, Calif.

[\*\*] Term: 14 Years

[21] Appl. No.: 103,196

[22] Filed: Dec. 13, 1979

[51] Int. Cl. .... D7-05

[52] U.S. Cl. .... D32/18

[58] Field of Search ..... D7/161, 164; D15/52-55, 62-64; 15/300 R, 330, 344

[56] References Cited

U.S. PATENT DOCUMENTS

1,423,190	7/1922	Clements	15/330 X
1,583,528	5/1926	Clements	15/330 X
1,610,360	12/1926	Clements	15/344 X
1,776,778	9/1930	Breuer	15/344 X
4,070,771	1/1978	Yakiwchuk	15/344 X

Primary Examiner—Catherine E. Kemper  
Attorney, Agent, or Firm—Fulwider, Patton, Rieber, Lee & Utecht

[57] CLAIM

The ornamental design for a portable electric air blower and vacuum, substantially as shown and described.

DESCRIPTION

FIG. 1 is a perspective view of a portable electric air blower and vacuum embodying my new design and shown as arranged for air blowing;

FIG. 2 is a side elevated view thereof as seen from the left in FIG. 1;

FIG. 3 is a rear elevated view thereof;

FIG. 4 is a top plan view thereof;

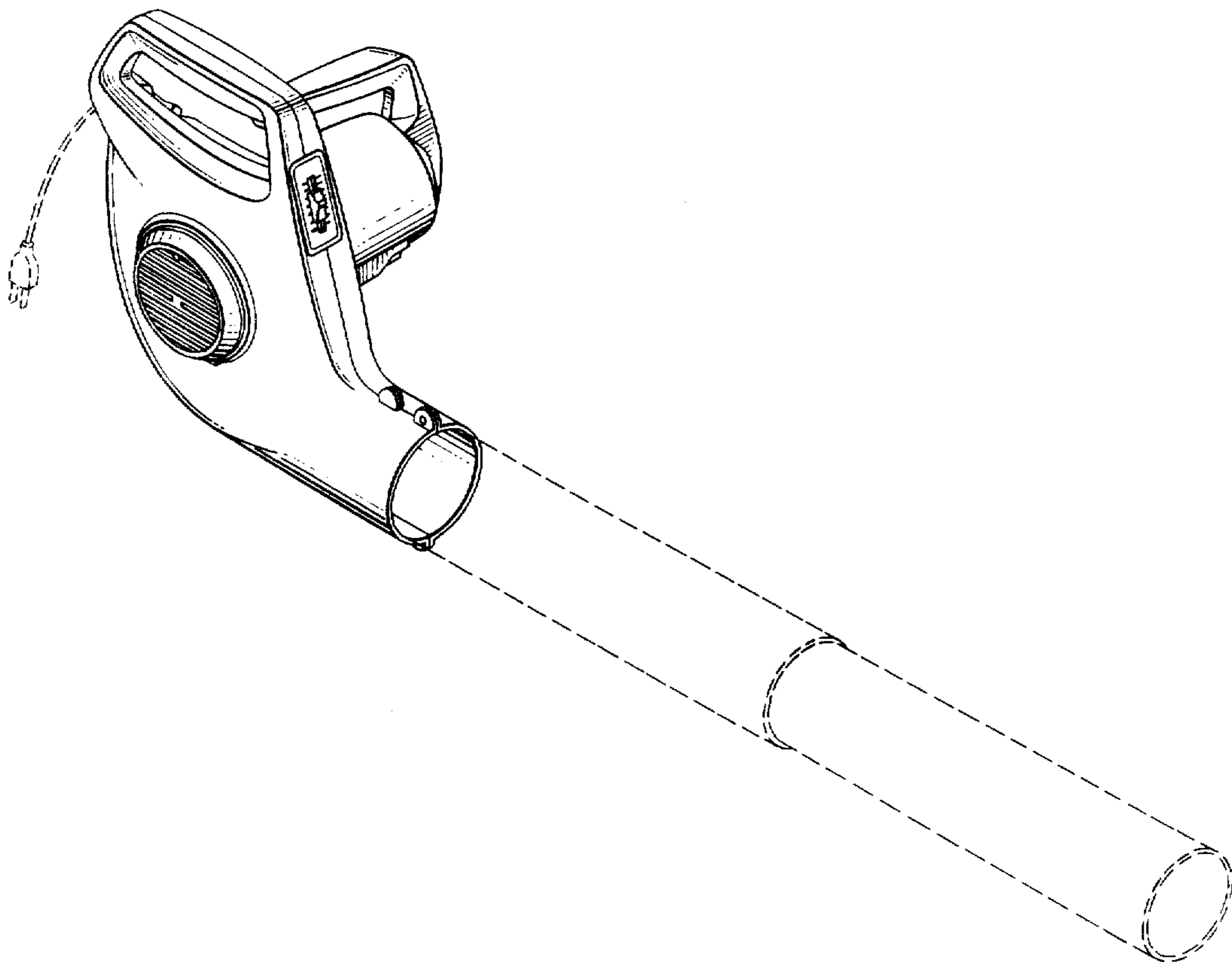
FIG. 5 is a side elevational view thereof as seen from the right in FIG. 1;

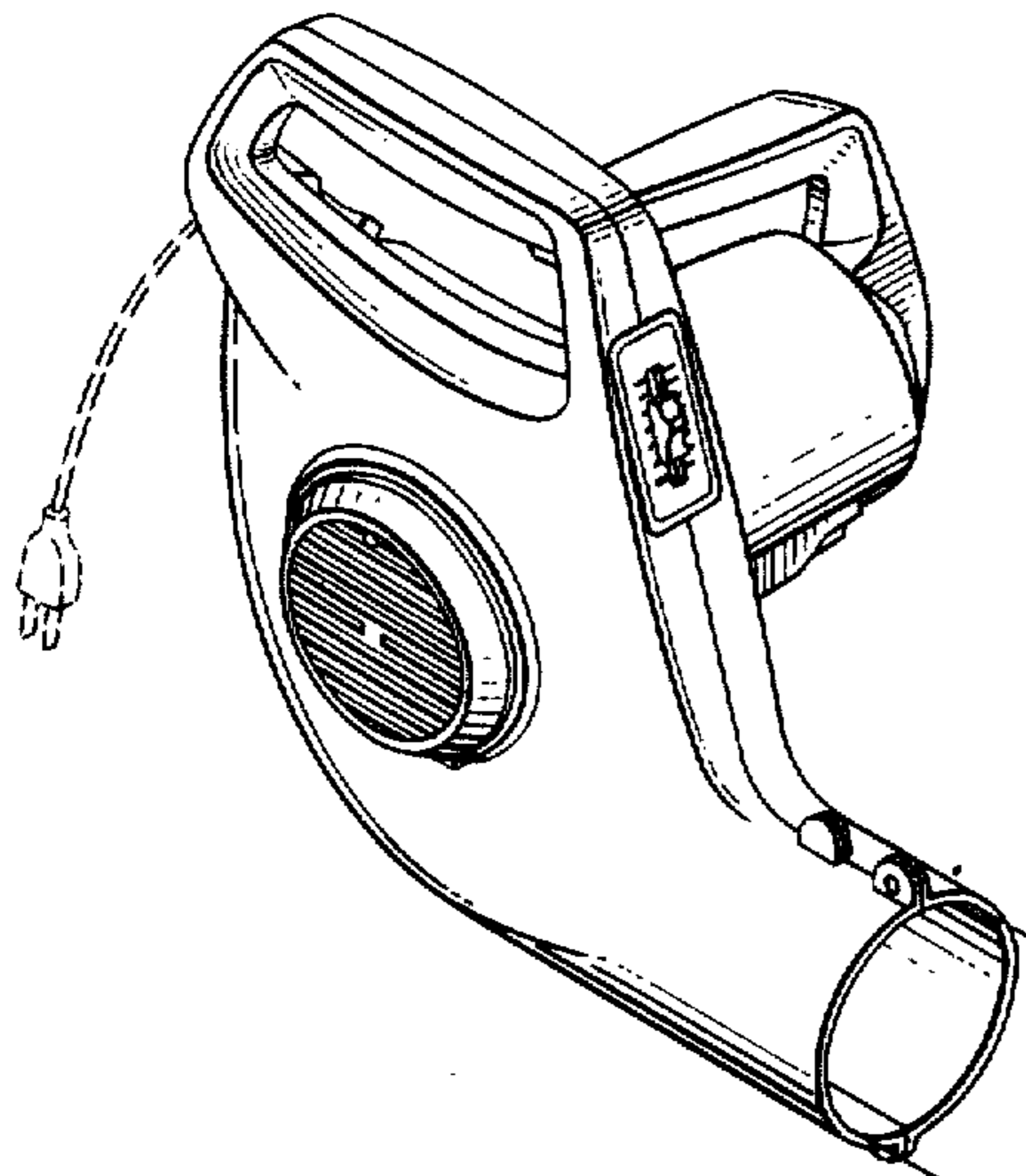
FIG. 6 is a front elevated view thereof;

FIG. 7 is a bottom plan view thereof; and

FIG. 8 is a further perspective view thereof and shown as arranged for vacuuming.

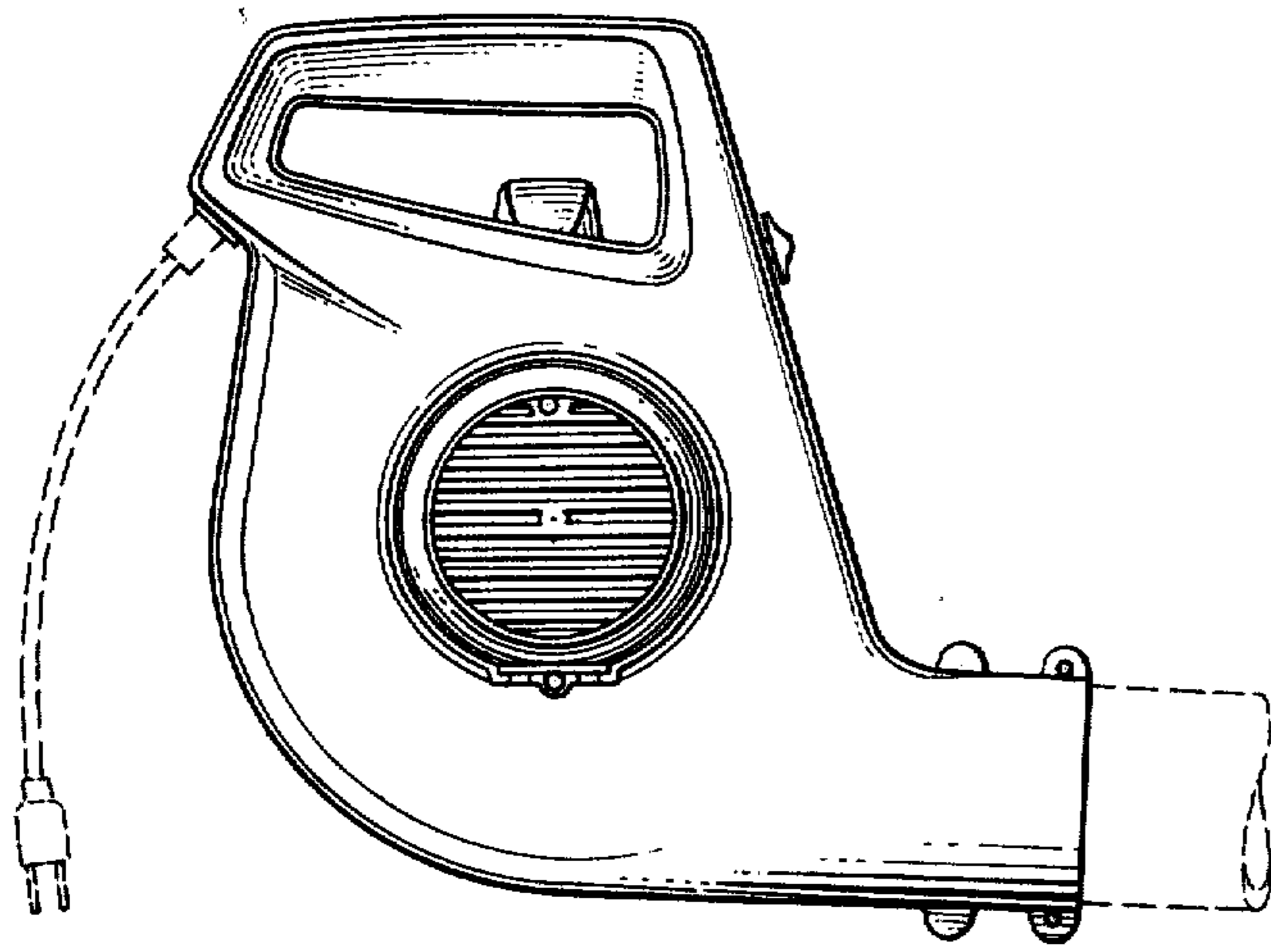
The broken line disclosure of a cord, tube and bag in FIGS. 1, 2 and 4-8 is for illustrative purposes only and forms no part of the claimed design.



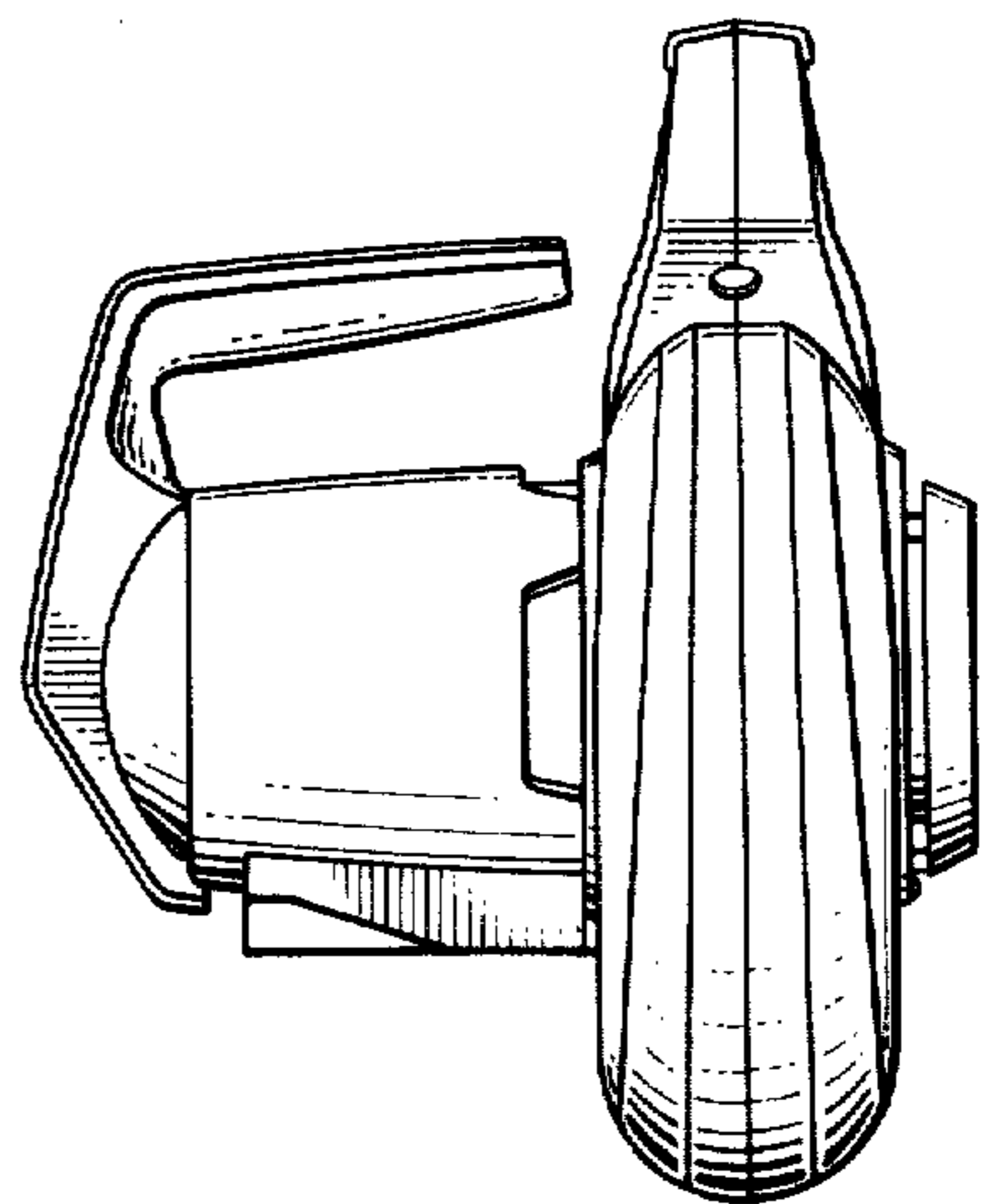


*FIG. 1.*

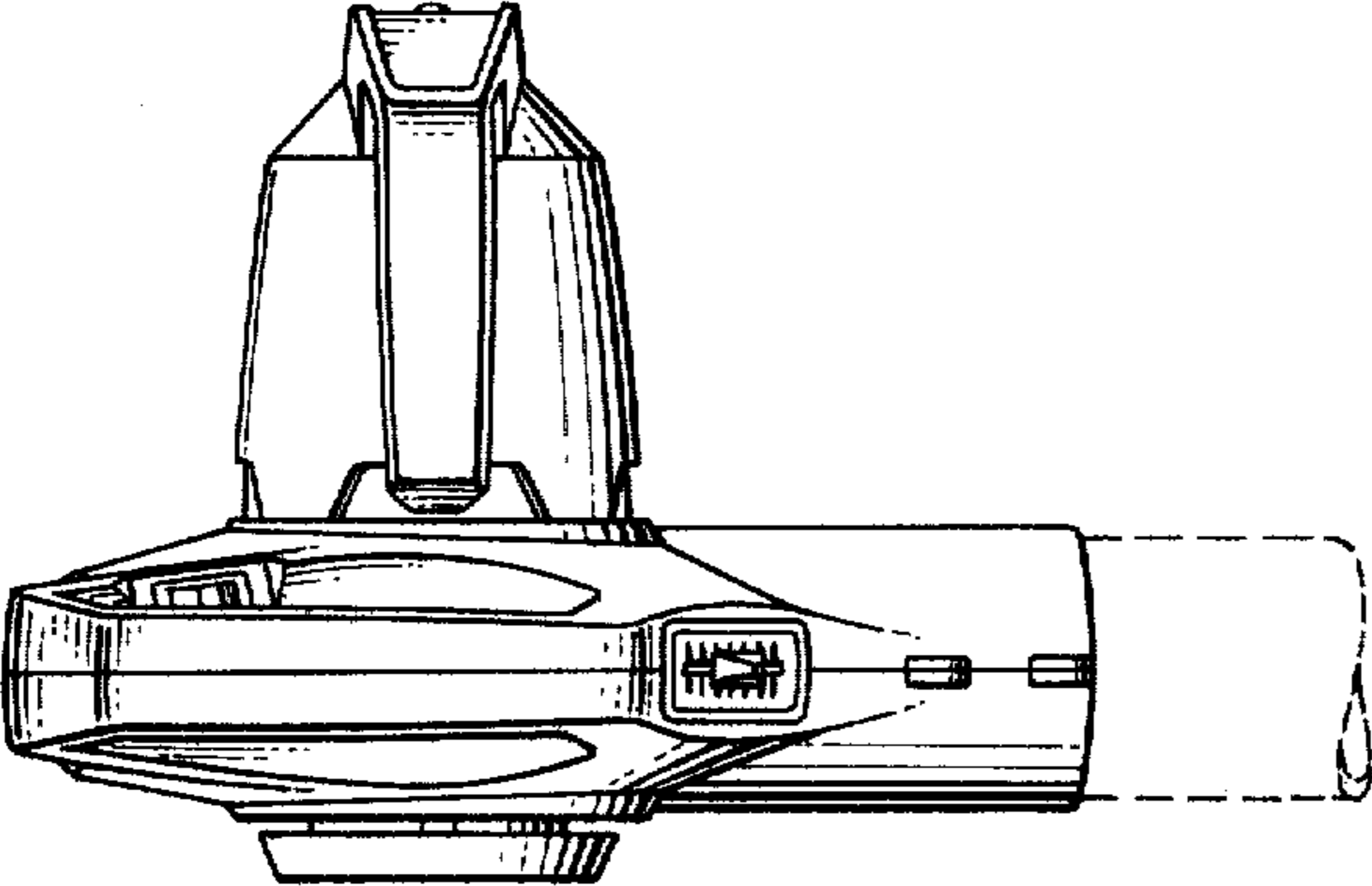
*FIG. 2.*



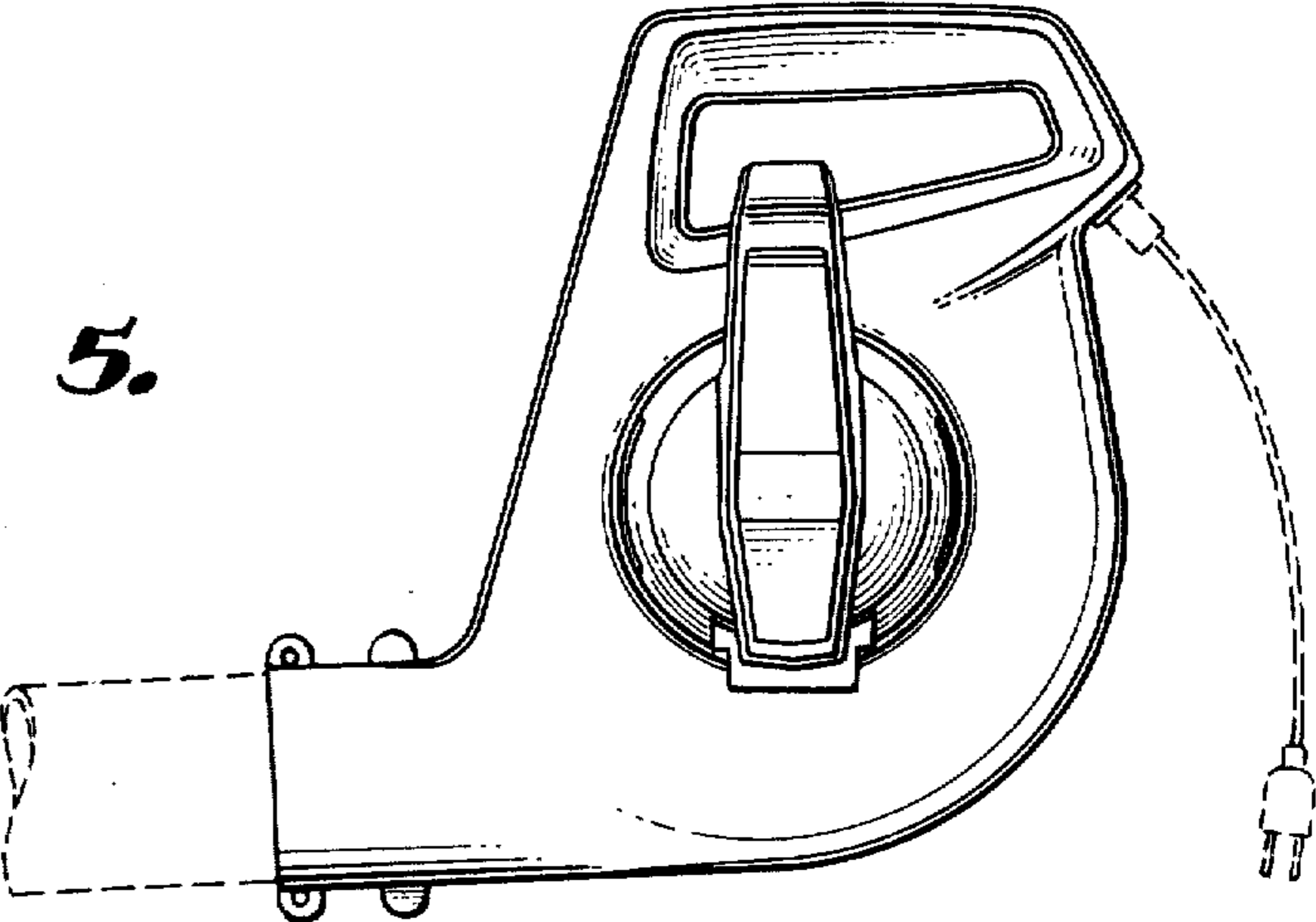
*FIG. 3.*



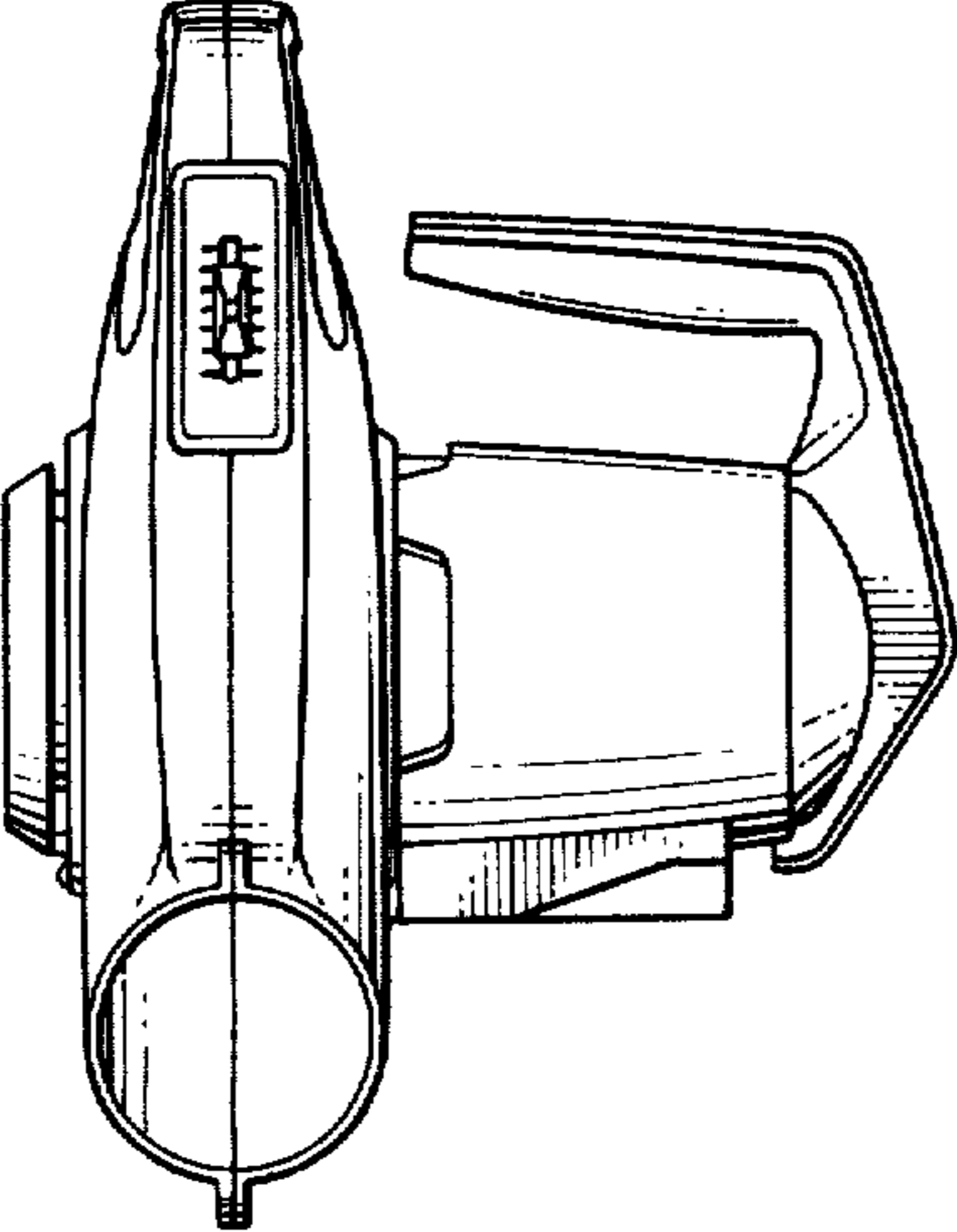
*Fig. 4.*



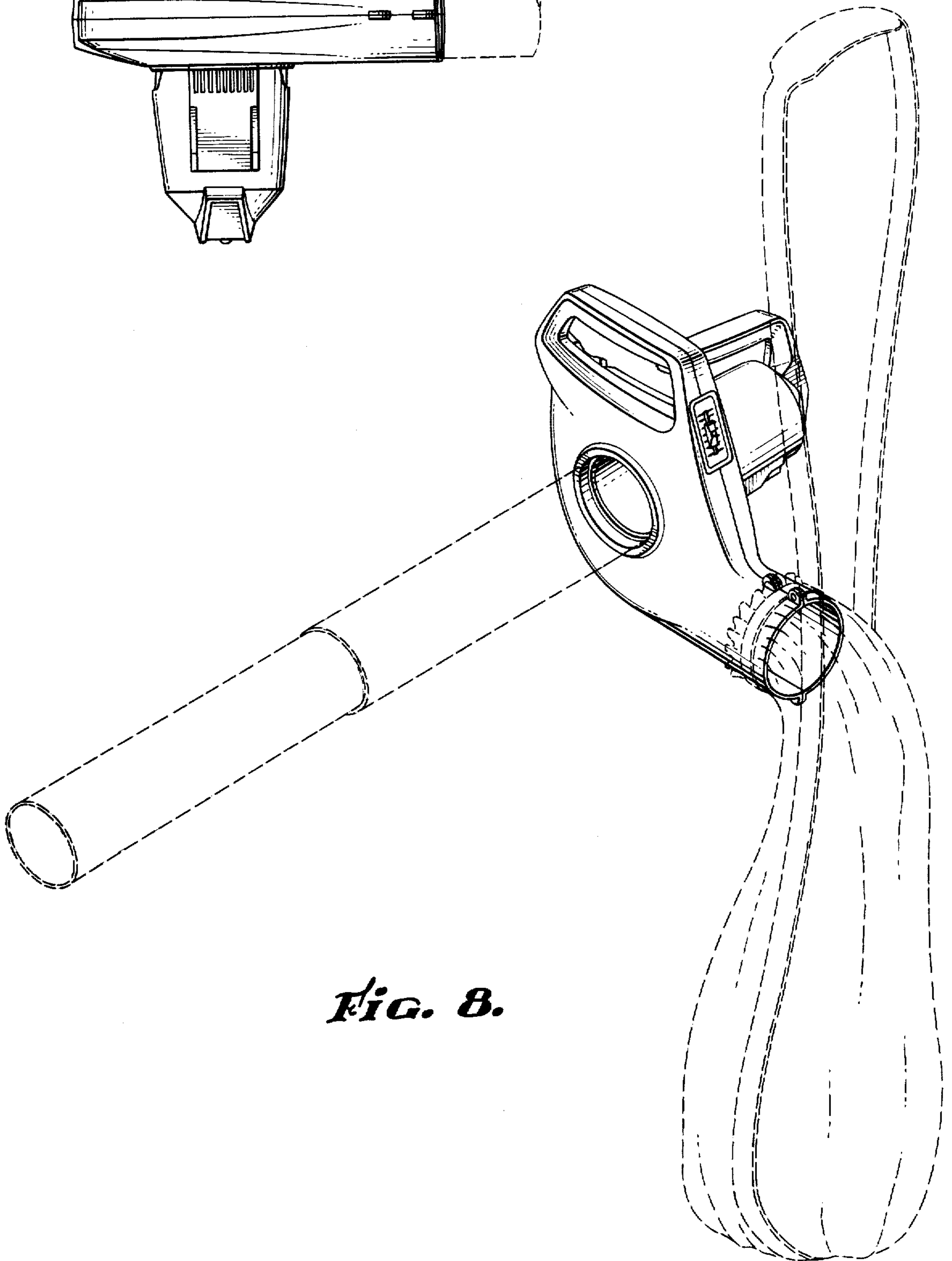
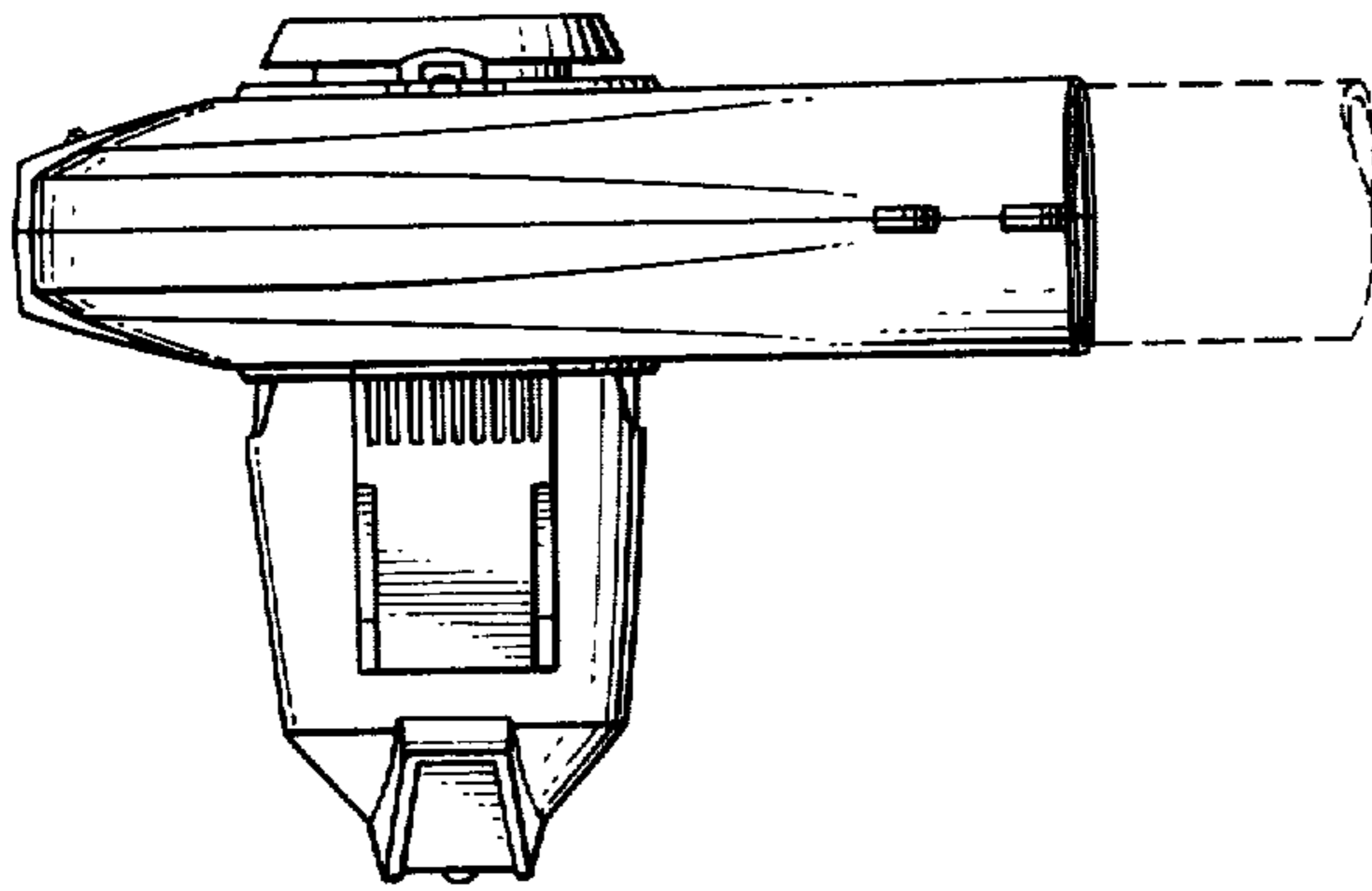
*Fig. 5.*



*Fig. 6.*



*FIG. 7.*



*FIG. 8.*