

[54] **BACKREST**

[76] **Inventor:** **Karl M. Jacobs**, 708 E. Sixth St.,
Fowler, Ind. 47944

[**] **Term:** **14 Years**

[21] **Appl. No.:** **10,162**

[22] **Filed:** **Feb. 7, 1979**

[51] **Int. Cl.** **D6—09**

[52] **U.S. Cl.** **D6/197; D6/200;**
D6/201

[58] **Field of Search** **D6/201, 200, 197, 85;**
5/436, 440, 448; 128/68, 70, 76 R

[56]

References Cited

U.S. PATENT DOCUMENTS

D. 45,279 2/1914 Walton D6/197
D. 45,663 4/1914 Walton D6/197
D. 114,973 5/1939 Eckman D6/201
D. 242,390 11/1976 Grube D6/201

Primary Examiner—Donald B. Moyer

[57]

CLAIM

The design for a backrest, as shown.

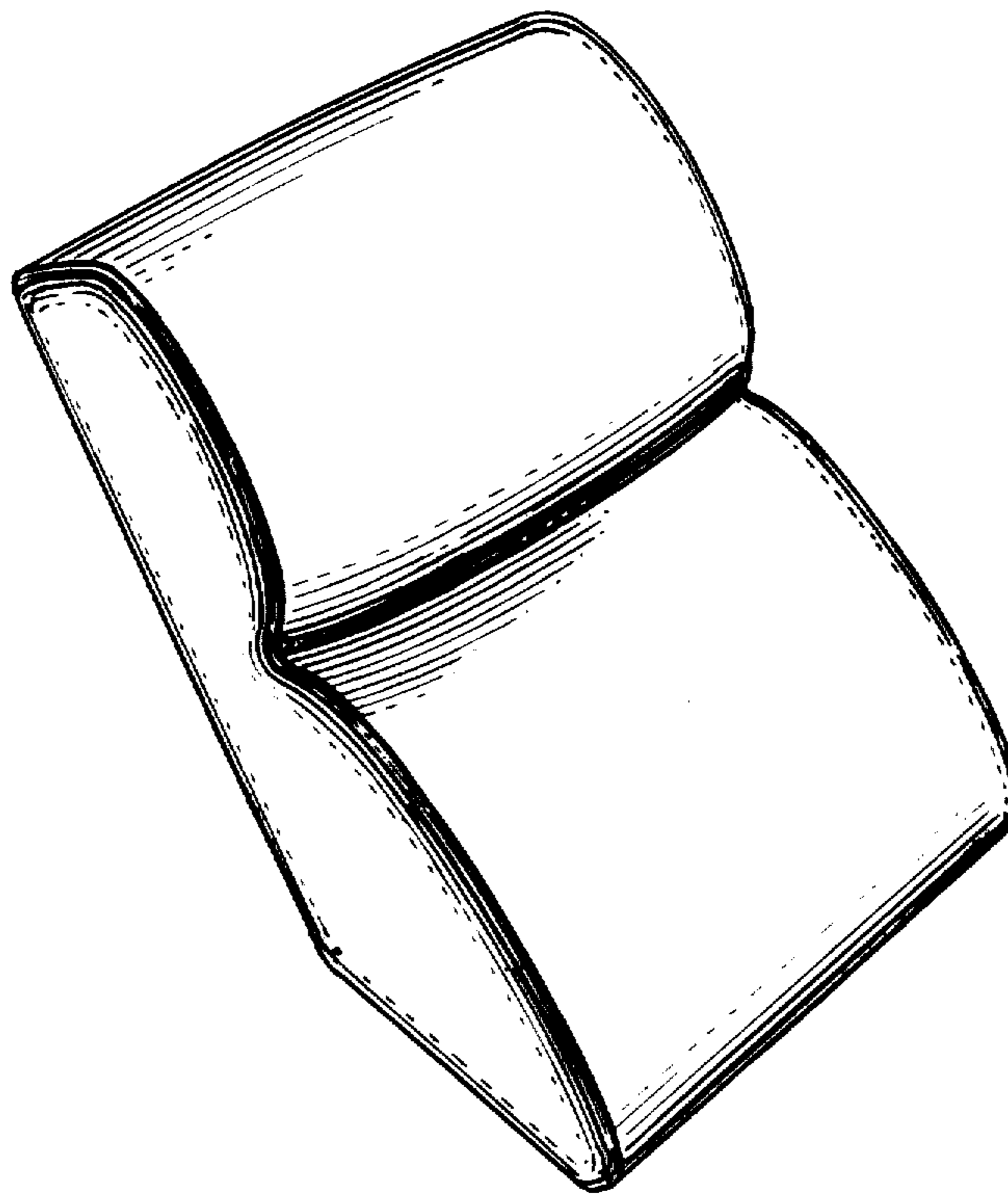
DESCRIPTION

FIG. 1 is a side elevational view of a backrest showing my new design, the opposite side being a mirror image thereof;

FIG. 2 is a top plan view;

FIG. 3 is a perspective view; and

FIG. 4 is a perspective view of the article in an inverted position taken from the side not shown in FIG. 3. The back of the article is plain and unornamented.



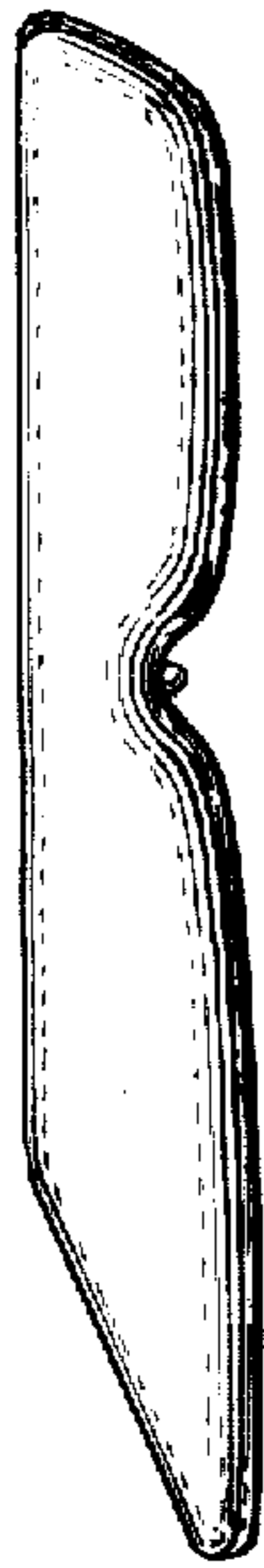


FIG. 1

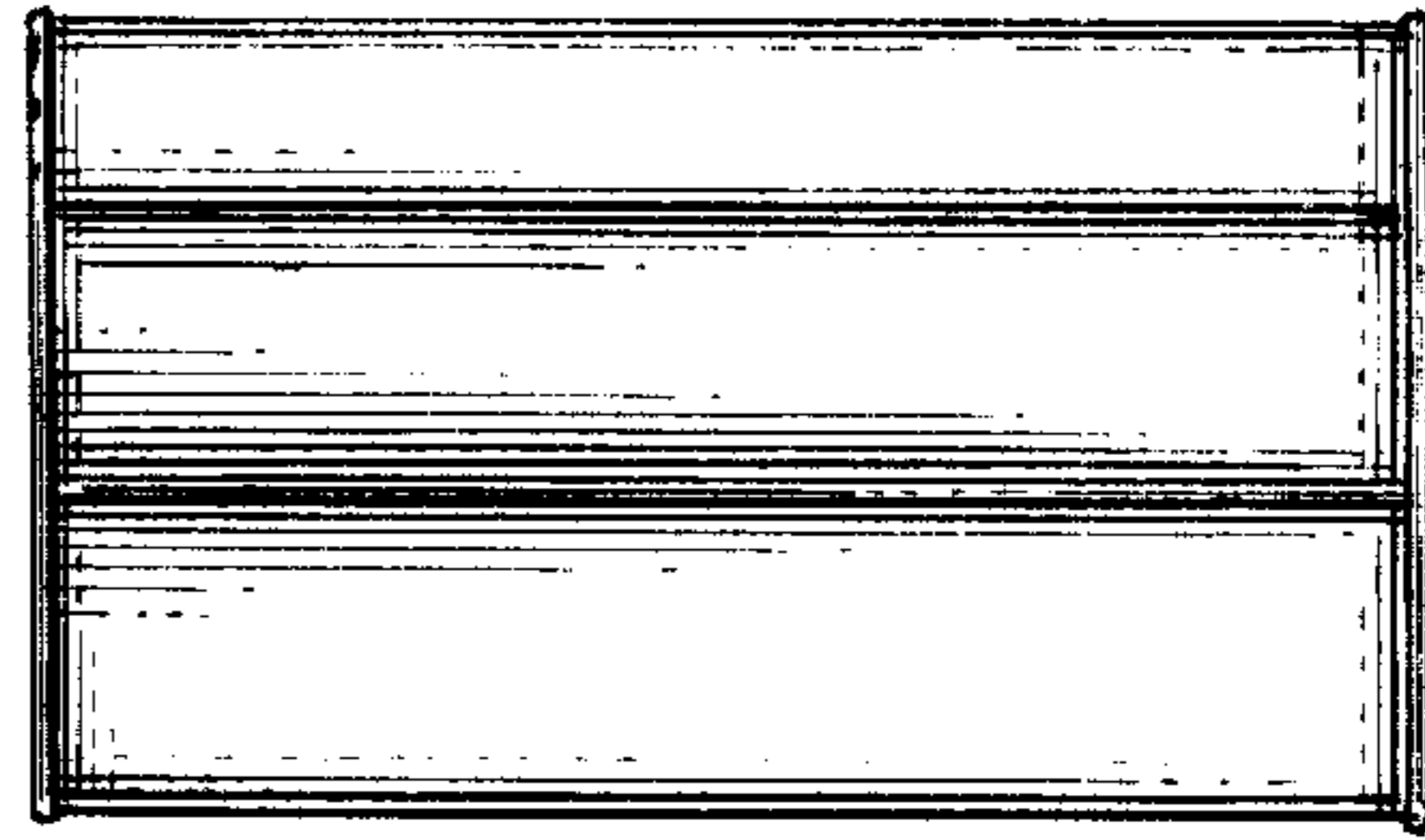


FIG. 2

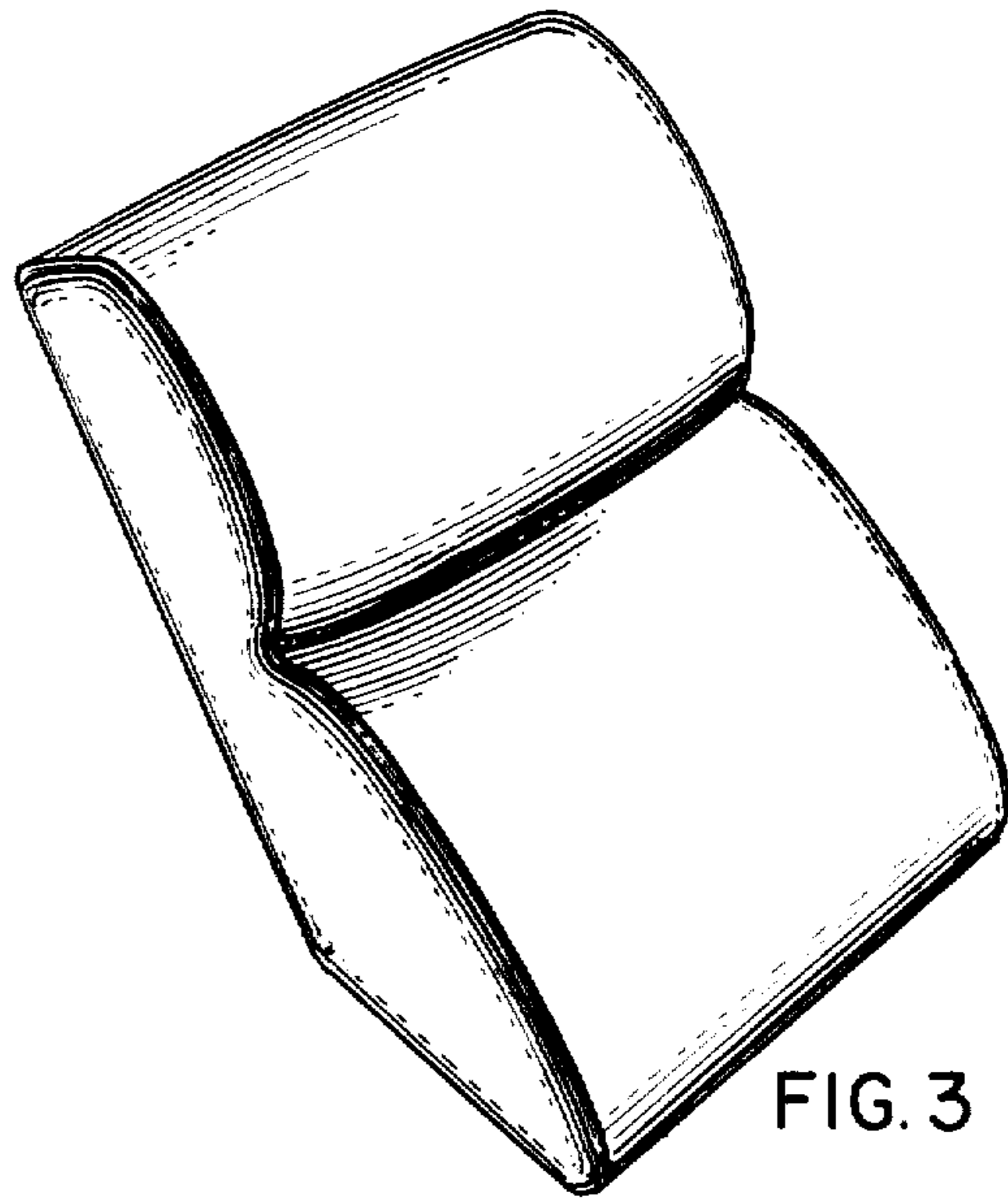


FIG. 3

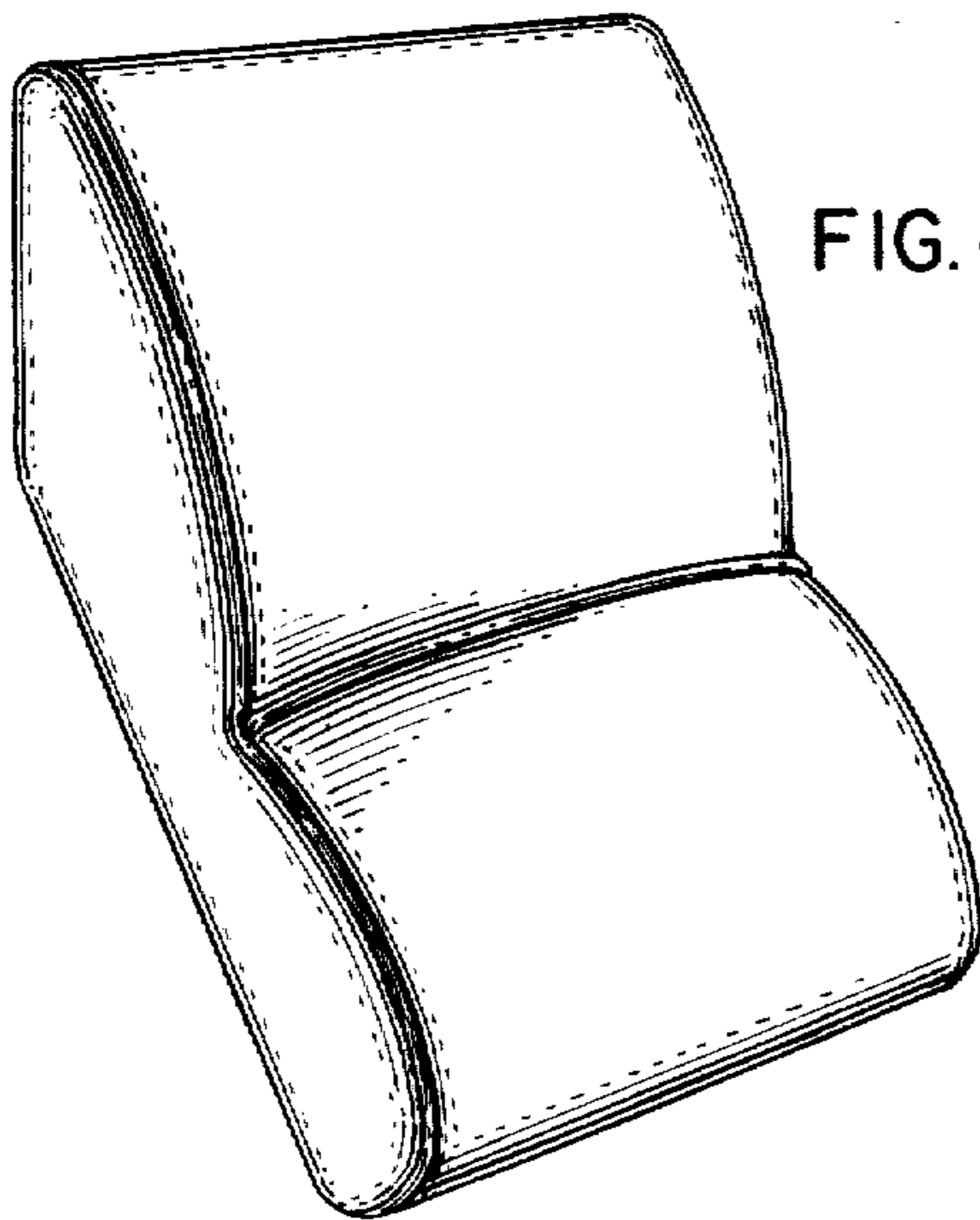


FIG. 4