

[54] MERCHANDISE DISPENSER

[75] Inventors: Charles J. Briggs, London; Hubert Lindsell, Tunbridge Wells, both of England

[73] Assignees: Display PJF Ltd., London; The Boots Company Limited, Nottingham, both of England

[\*\*] Term: 14 Years

[21] Appl. No.: 115,574

[22] Filed: Jan. 25, 1980

[30] Foreign Application Priority Data

Aug. 1, 1979 [GB] United Kingdom ..... 991021/79

[51] Int. Cl. .... D06-04

[52] U.S. Cl. .... D6/191

[58] Field of Search ..... D6/1, 85, 181, 186, D6/191; 211/49 D, 51; 220/22.1, 22.2, 22.3, 22.4, 22.5, 22.6

[56] References Cited

U.S. PATENT DOCUMENTS

D. 132,962	7/1942	Salomon .....	D6/191
D. 230,114	1/1974	Jennee .....	D6/181
692,525	2/1902	Kelly et al. ....	220/22.5
2,079,754	5/1937	Waxgiser .....	211/49 D
3,028,014	4/1962	Southwick .....	211/51

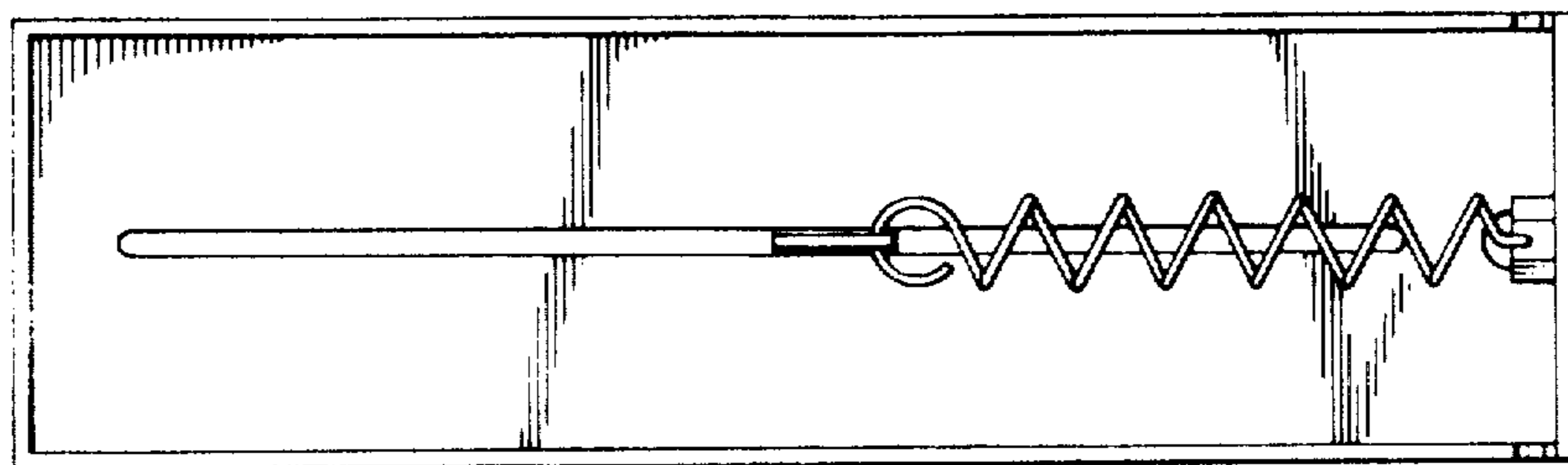
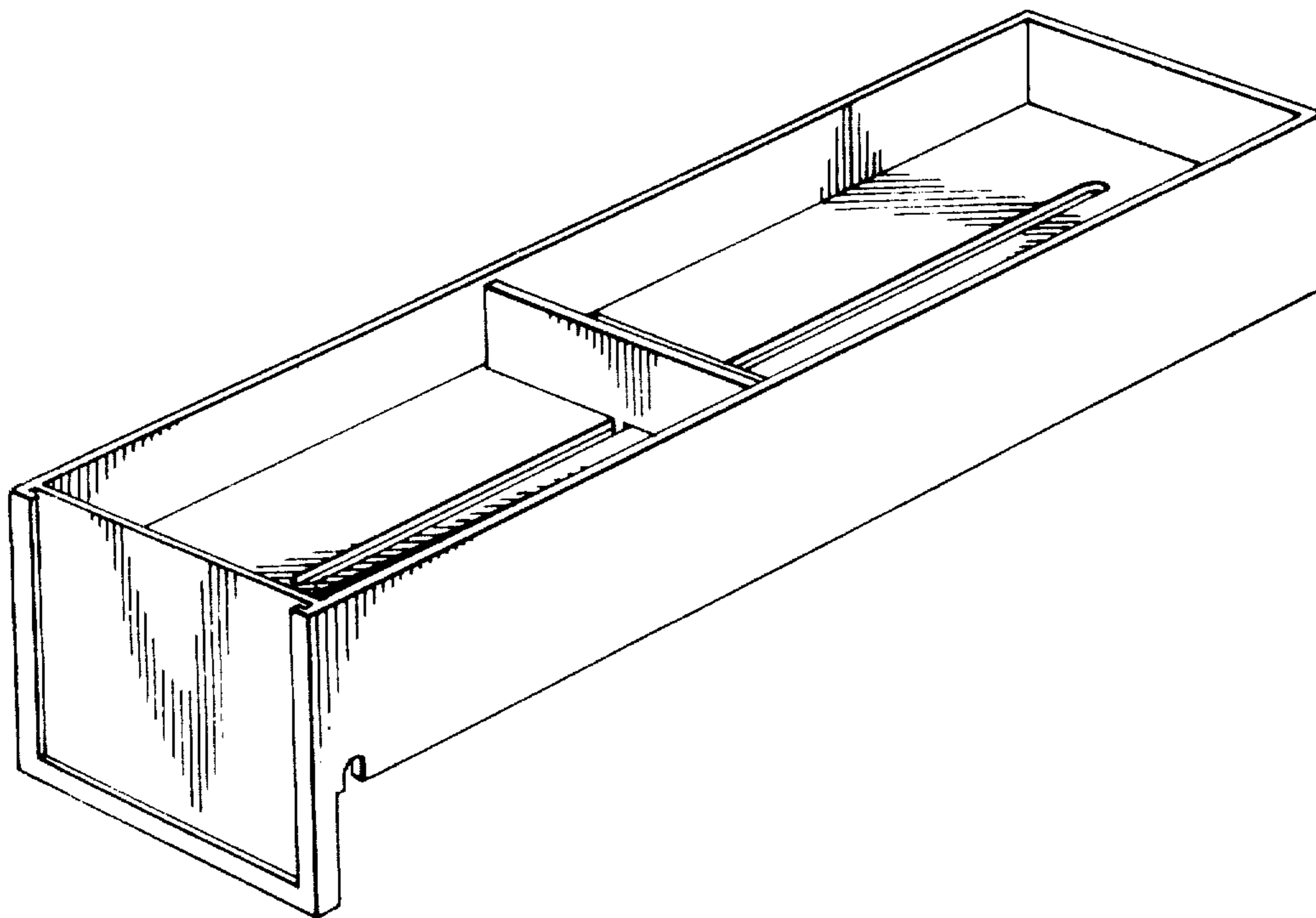
Primary Examiner—Joel Stearman  
Assistant Examiner—Carmen H. Vales  
Attorney, Agent, or Firm—James C. Wray

[57] CLAIM

The ornamental design for a merchandise dispenser, as shown and described.

DESCRIPTION

FIG. 1 is a perspective view of a merchandise dispenser, showing our new design;  
FIG. 2 is a rear elevational view thereof;  
FIG. 3 is a left side elevational view thereof;  
FIG. 4 is a bottom plan view thereof; and  
FIG. 5 is a top plan view thereof.



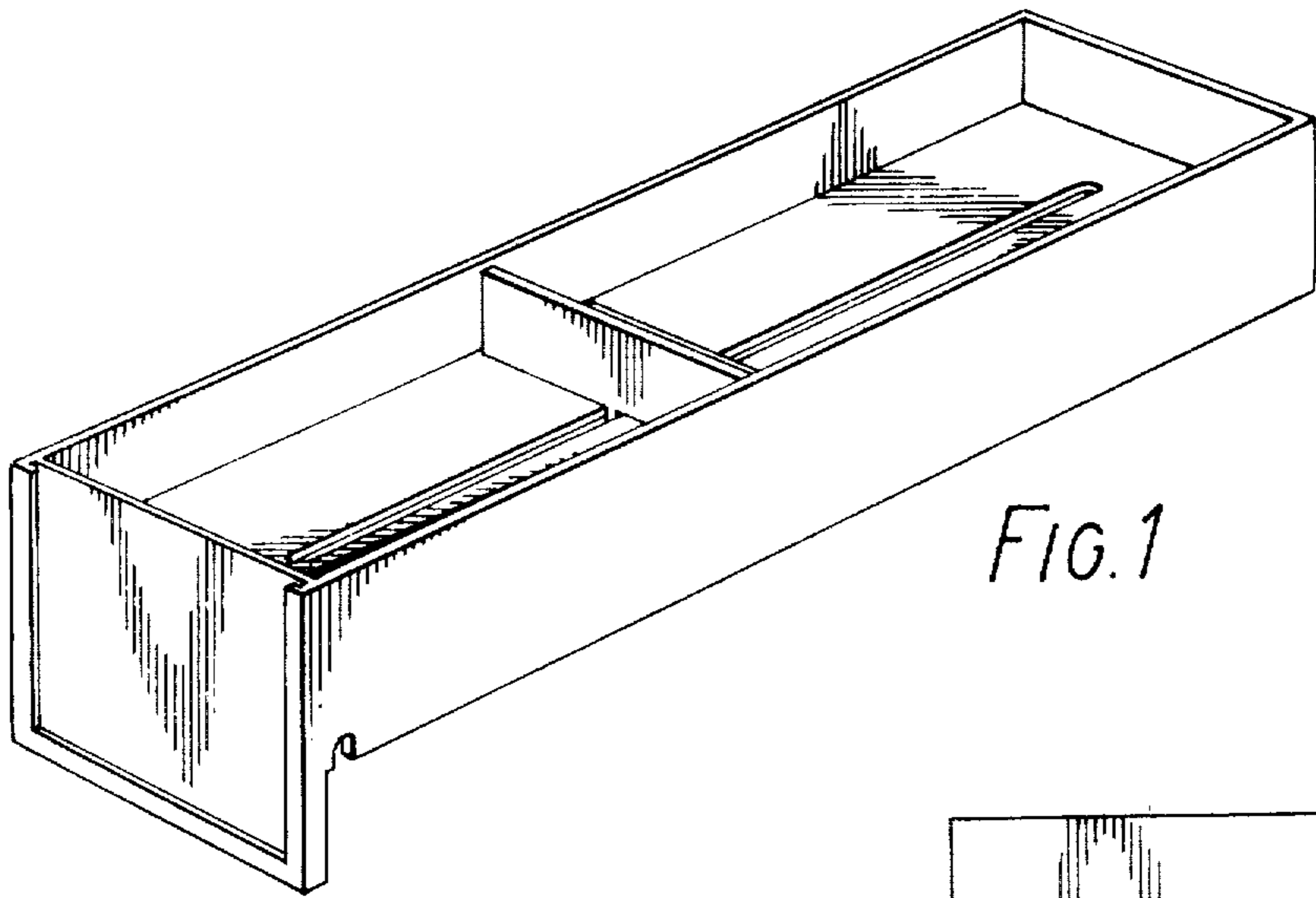


FIG. 1

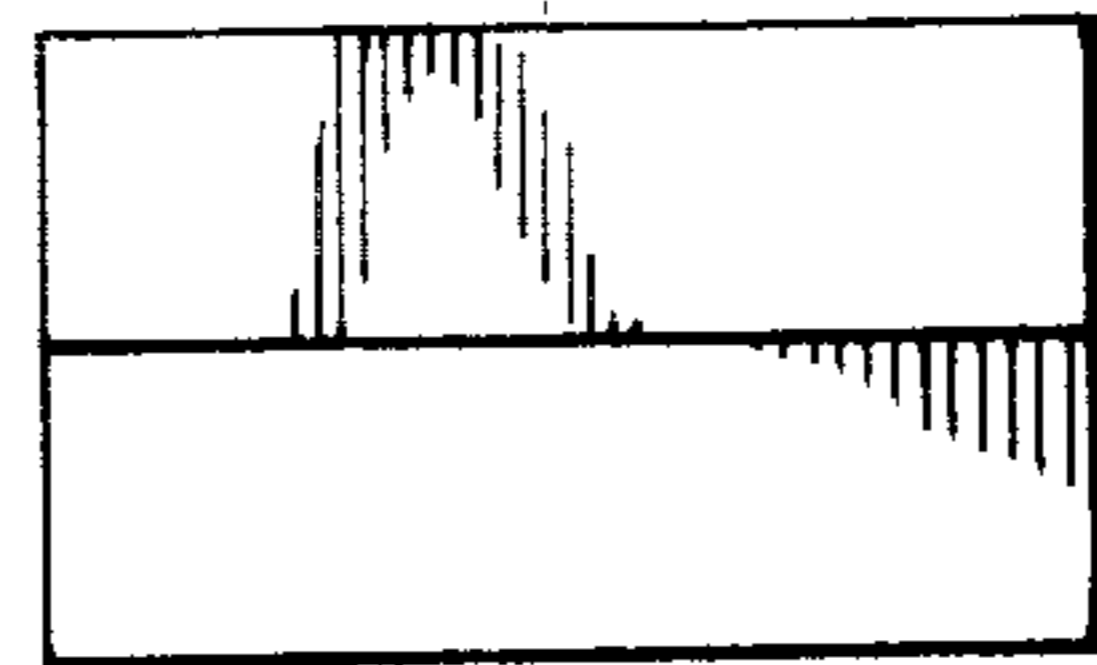


FIG. 2

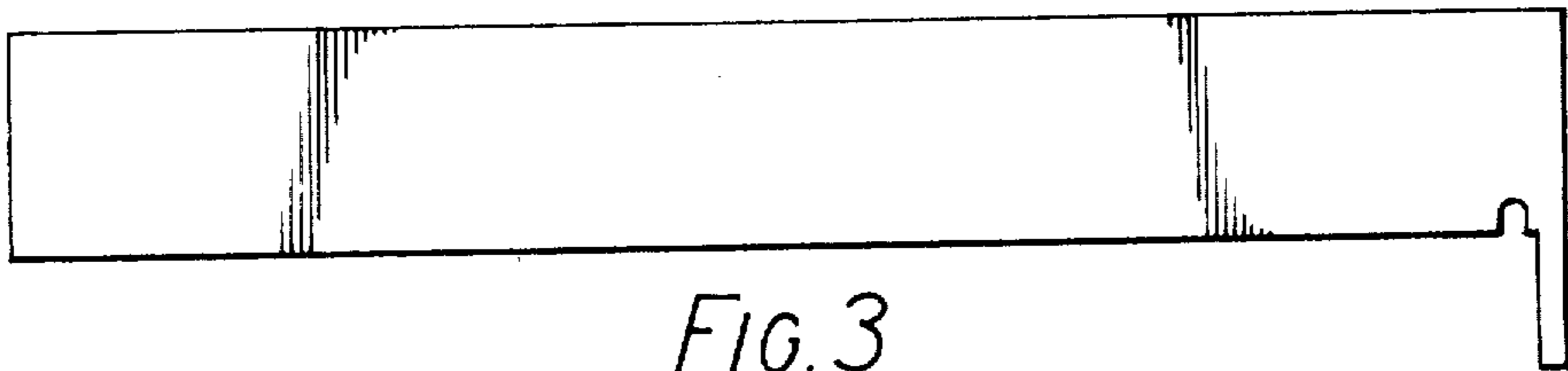


FIG. 3

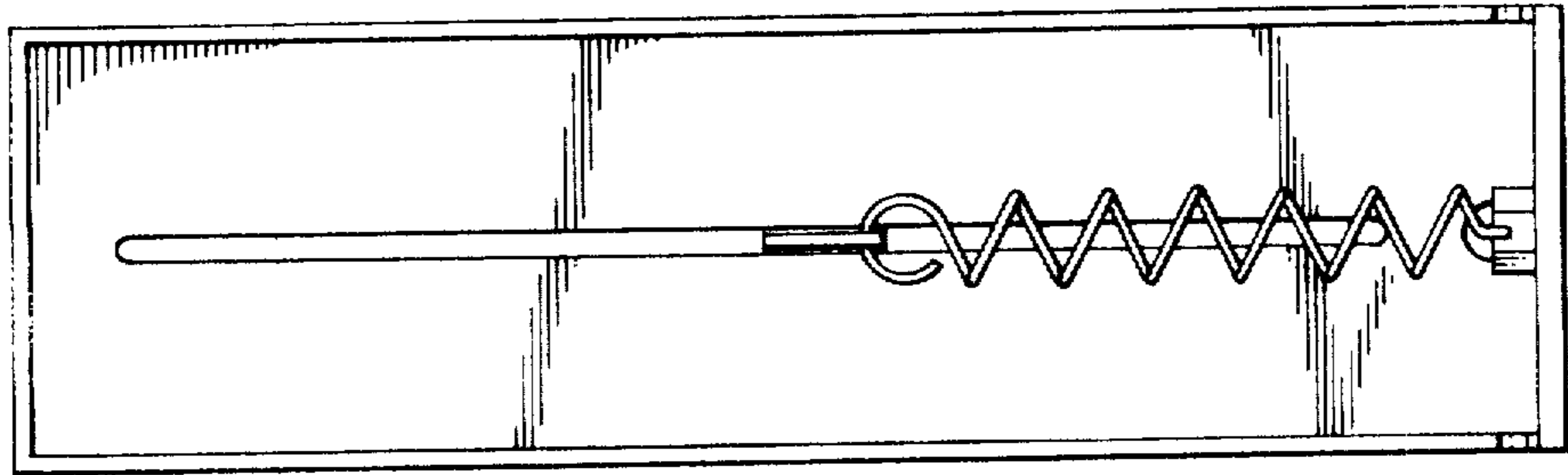


FIG. 4

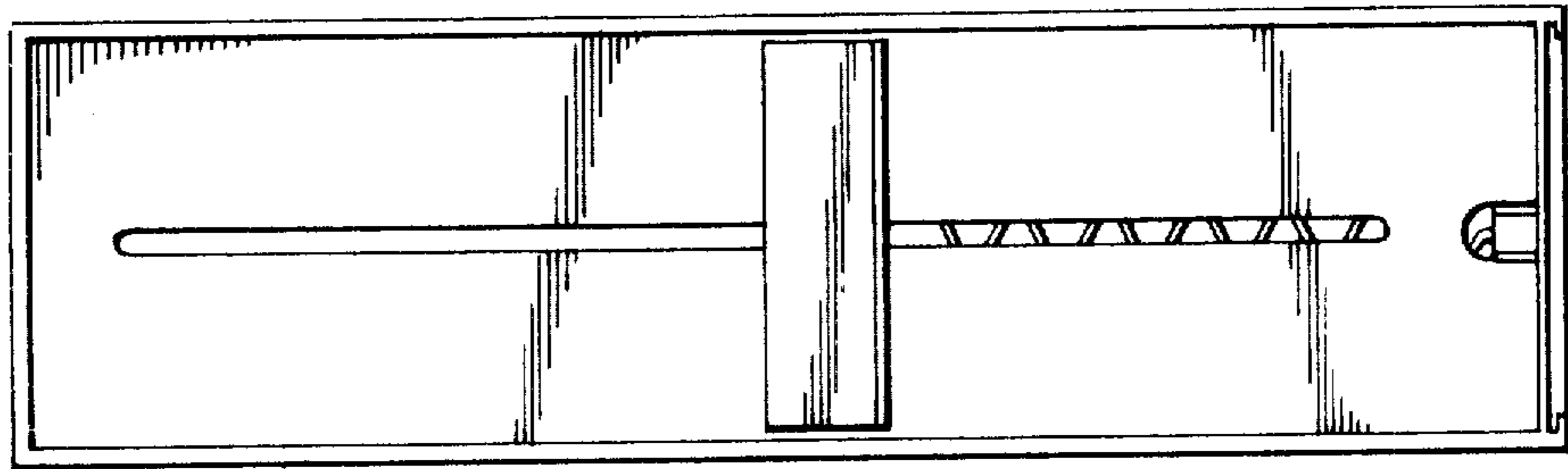


FIG. 5