

[54] SAFETY STRAP FOR USE IN A VEHICLE SEAT

3,019,952 2/1962 Brewster D3/76 X
3,606,457 9/1971 Reay 297/170 X

[75] Inventor: Joseph P. Markham, Denver, Colo.

Primary Examiner—Bruce W. Dunkins
Attorney, Agent, or Firm—Fields, Lewis, Pittenger & Rost

[73] Assignee: Safety First Corporation, Denver, Colo.

[**] Term: 14 Years

[57] CLAIM

[21] Appl. No.: 112,868

The ornamental design for the safety strap for use in a vehicle seat, as shown as described.

[22] Filed: Jan. 17, 1980

DESCRIPTION

[51] Int. Cl. D6—99
[52] U.S. Cl. D6/191; D8/356
[58] Field of Search D6/48, 191; D3/70, 76; D8/356; 297/170, 464, 473, 503, 504, 390; 280/801

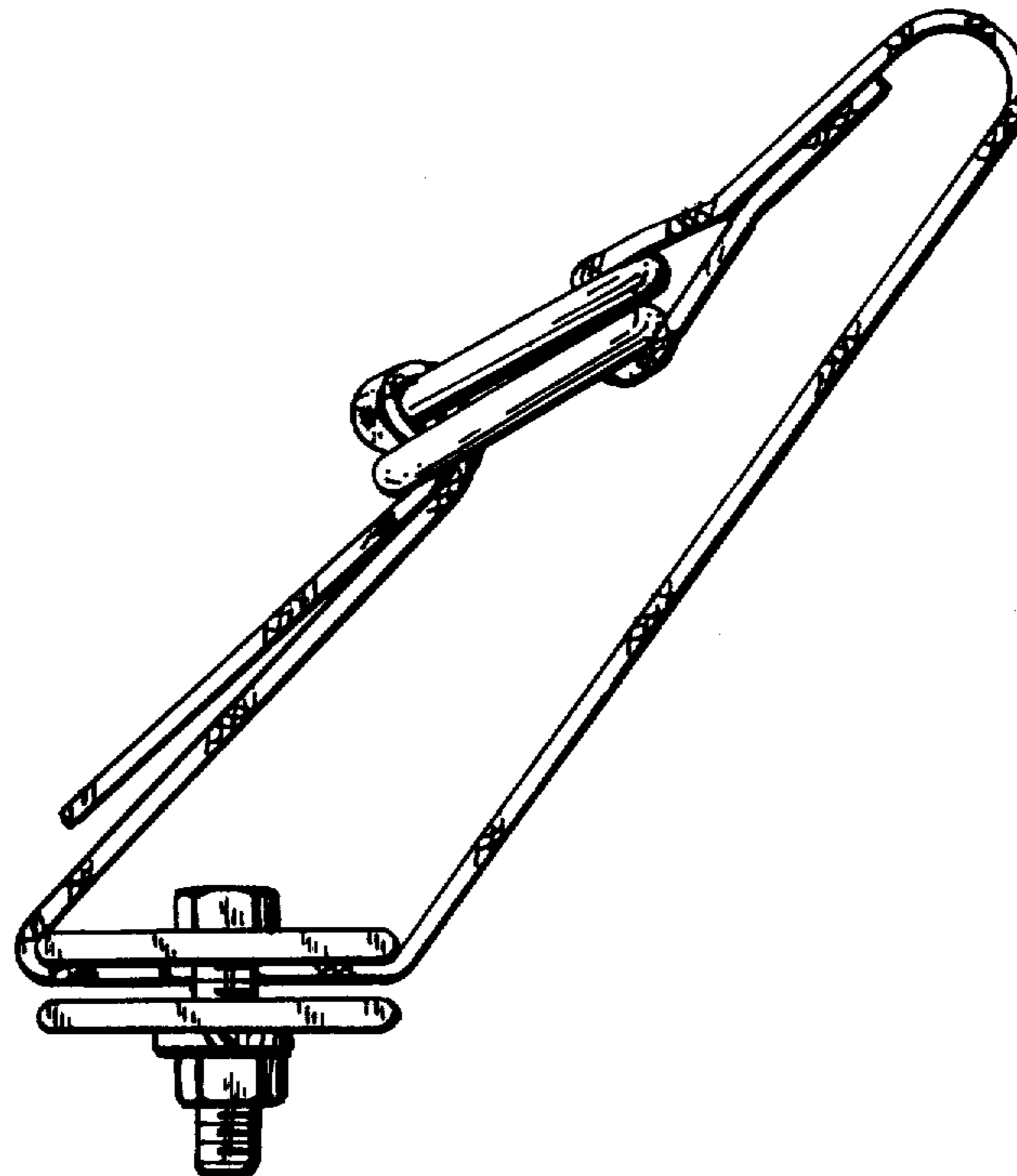
FIG. 1 is a side elevational view of the safety strap for use in a vehicle seat showing my new design; FIG. 2 is a front elevational view thereof; FIG. 3 is a rear elevational view thereof; FIG. 4 is a top plan view thereof; FIG. 5 is a bottom plan view thereof; FIG. 6 is a perspective view thereof; and FIG. 7 is a perspective view showing the safety strap for use in a vehicle seat in use.

[56] References Cited

U.S. PATENT DOCUMENTS

651,283 6/1900 Waxman D3/70 X
2,855,215 10/1958 Sheren D8/356 X
2,932,871 4/1960 Phillips et al. 280/801 X

The chair shown in broken lines in FIG. 7 is for illustrative purposes only.



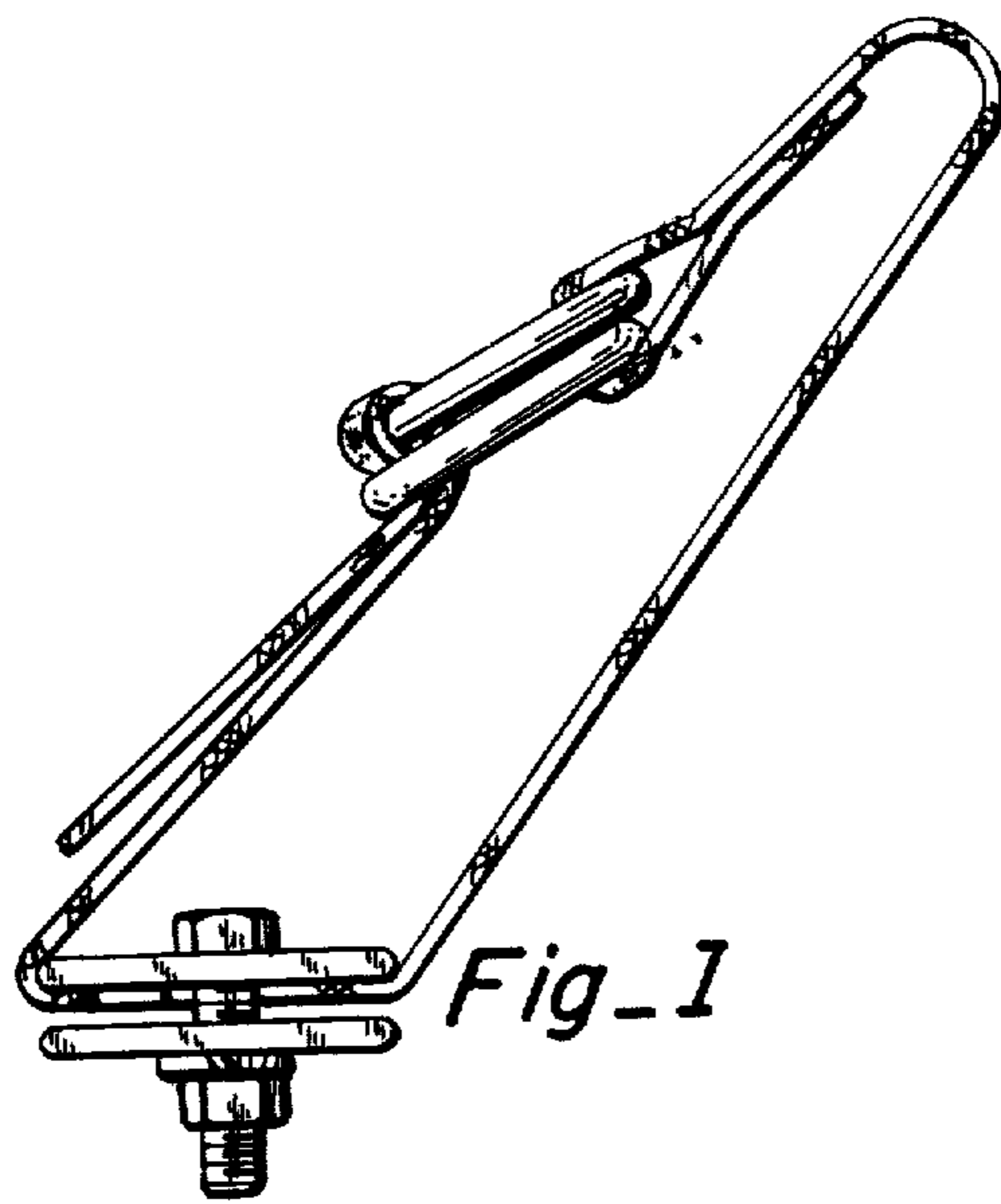


Fig-1

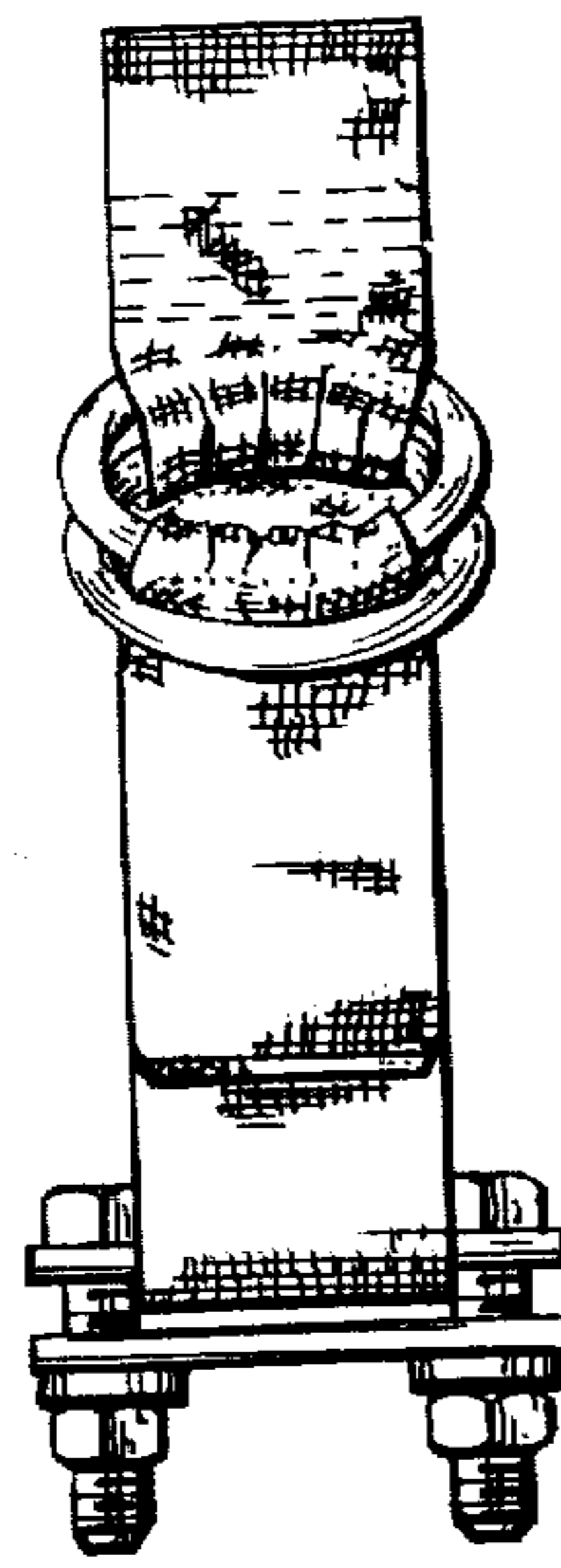


Fig-2

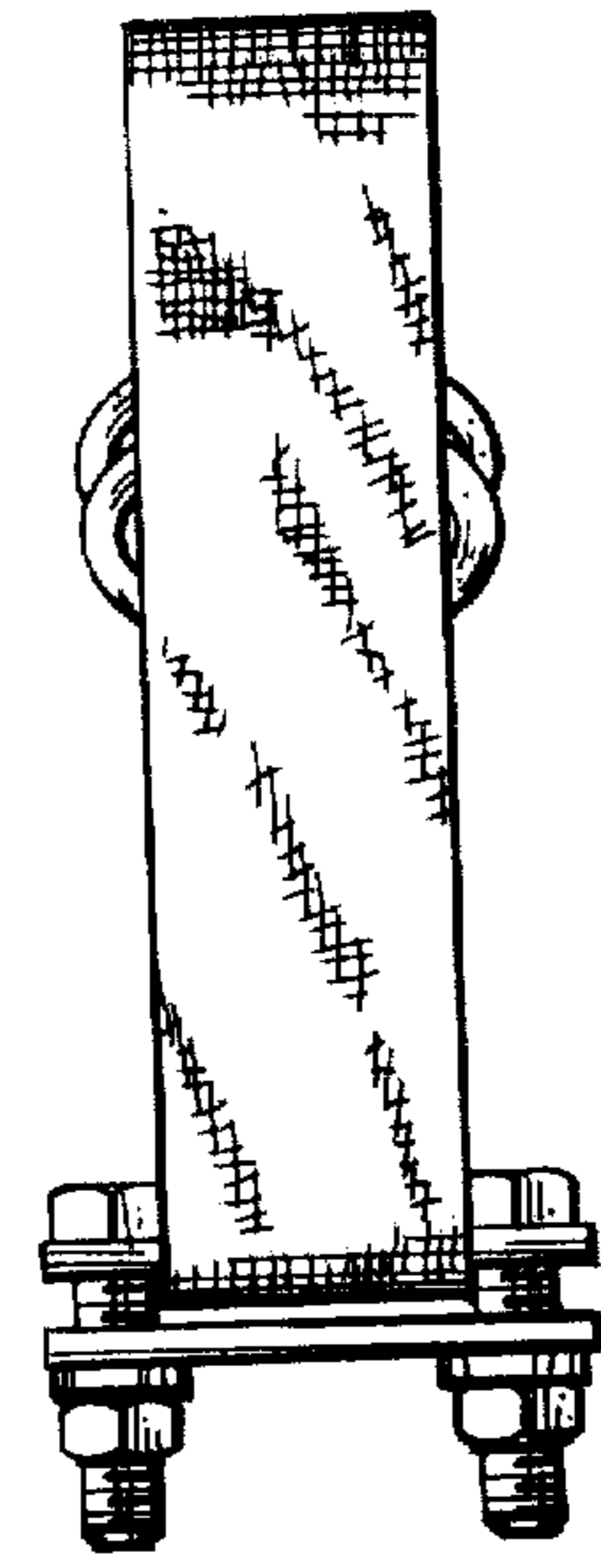


Fig-3

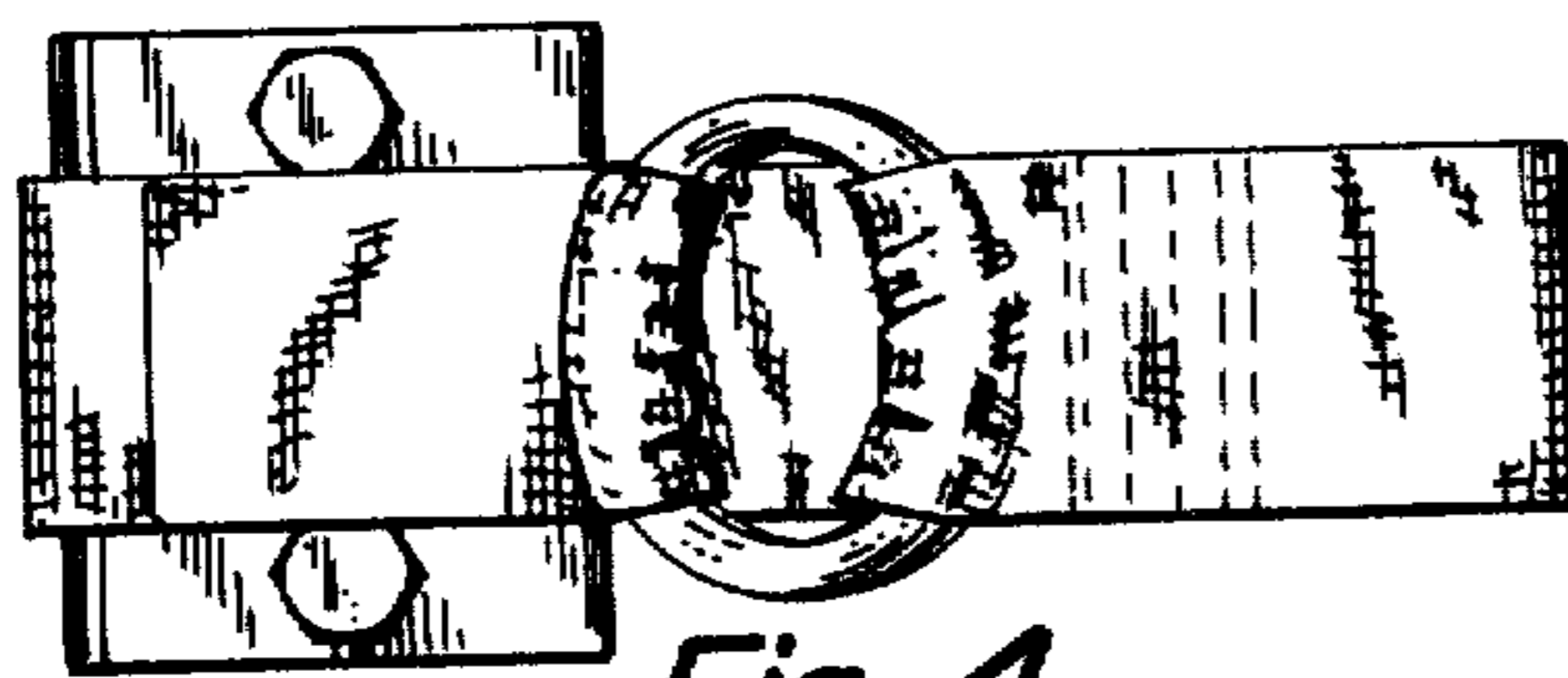


Fig-4

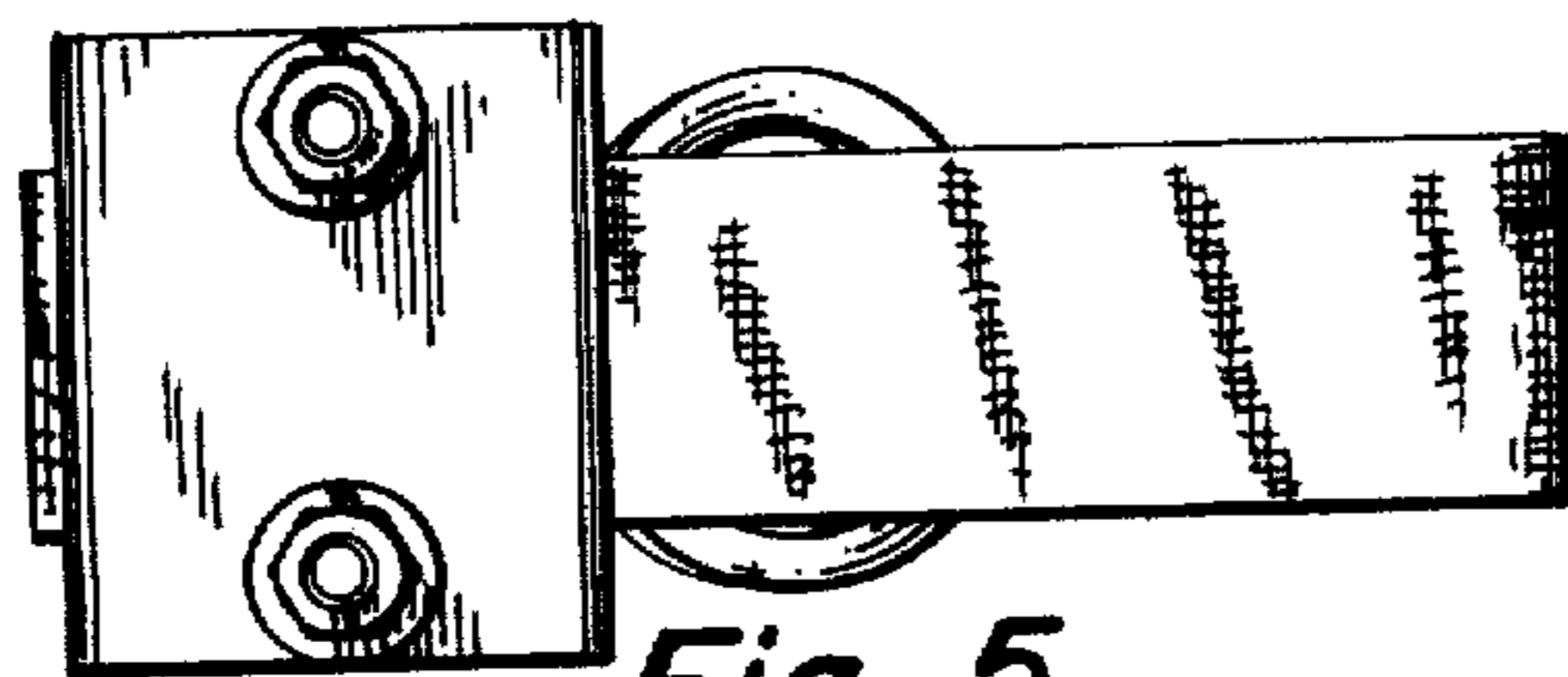


Fig-5

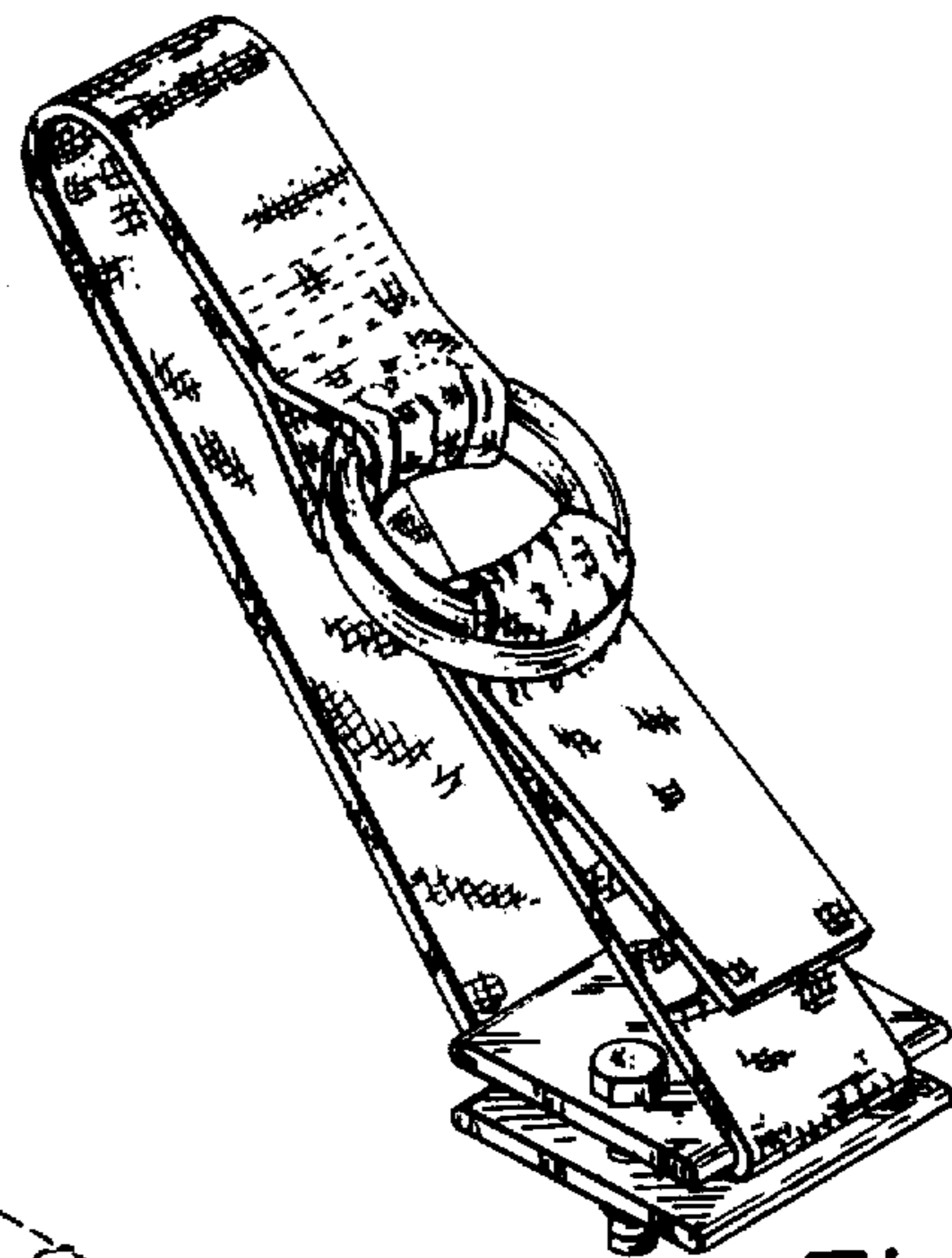


Fig-6

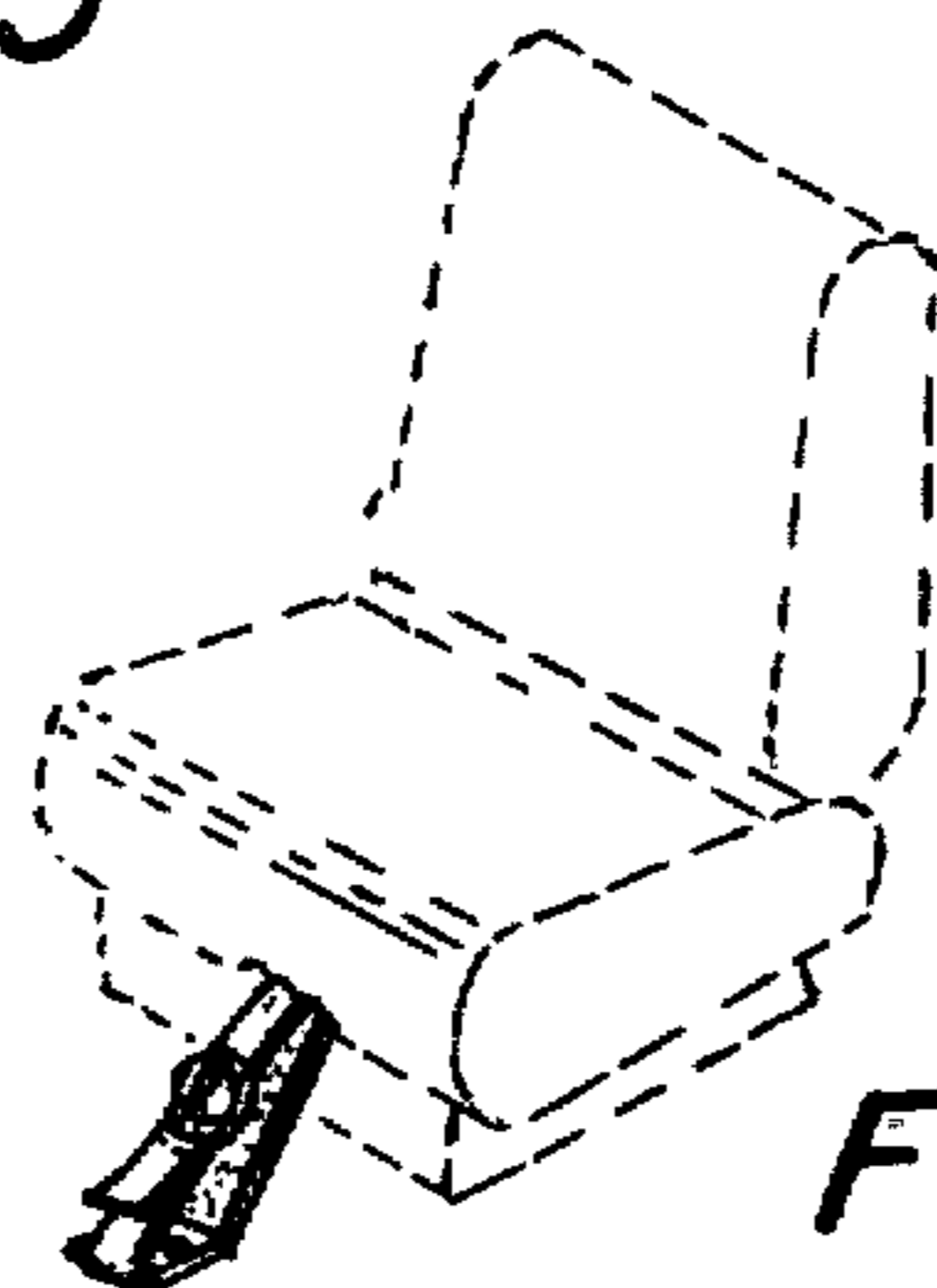


Fig-7