

[54] SHELVING UNIT

[76] Inventor: Frederick E. Markus, 20 Park Ave., Belmont, Mass. 02178

[**] Term: 14 Years

[21] Appl. No.: 77,293

[22] Filed: Sep. 20, 1979

[51] Int. Cl. D6-04

[52] U.S. Cl. D6/186; D6/134

[58] Field of Search D6/5, 7, 114, 130, 132, D6/133, 134, 135, 136, 177, 179, 36, 186; 211/87, 88, 90, 134, 153; 108/59, 152

[56] References Cited

U.S. PATENT DOCUMENTS

- D. 157,937 4/1950 Carr D6/179
- D. 225,927 1/1973 Duern et al. D6/179

- D. 226,647 4/1973 Longato D6/179
- D. 254,941 5/1980 Simmons D6/36
- 3,834,776 9/1974 Becker D6/186

Primary Examiner—B. J. Bullock
Attorney, Agent, or Firm—Cesari and McKenna

[57] CLAIM

The ornamental design for a shelving unit, substantially as shown and described.

DESCRIPTION

FIG. 1 is a perspective in view of a shelving unit embodying my new design;
FIG. 2 is a top plan view thereof;
FIG. 3 is a front elevational view thereof, the rear being flat and unornamented;
FIG. 4 is a side elevational view taken from the left of FIG. 1, the side opposite being a mirror image thereof.
FIG. 5 is a sectional view taken in the direction of the arrows on line 5-5 of FIG. 3.

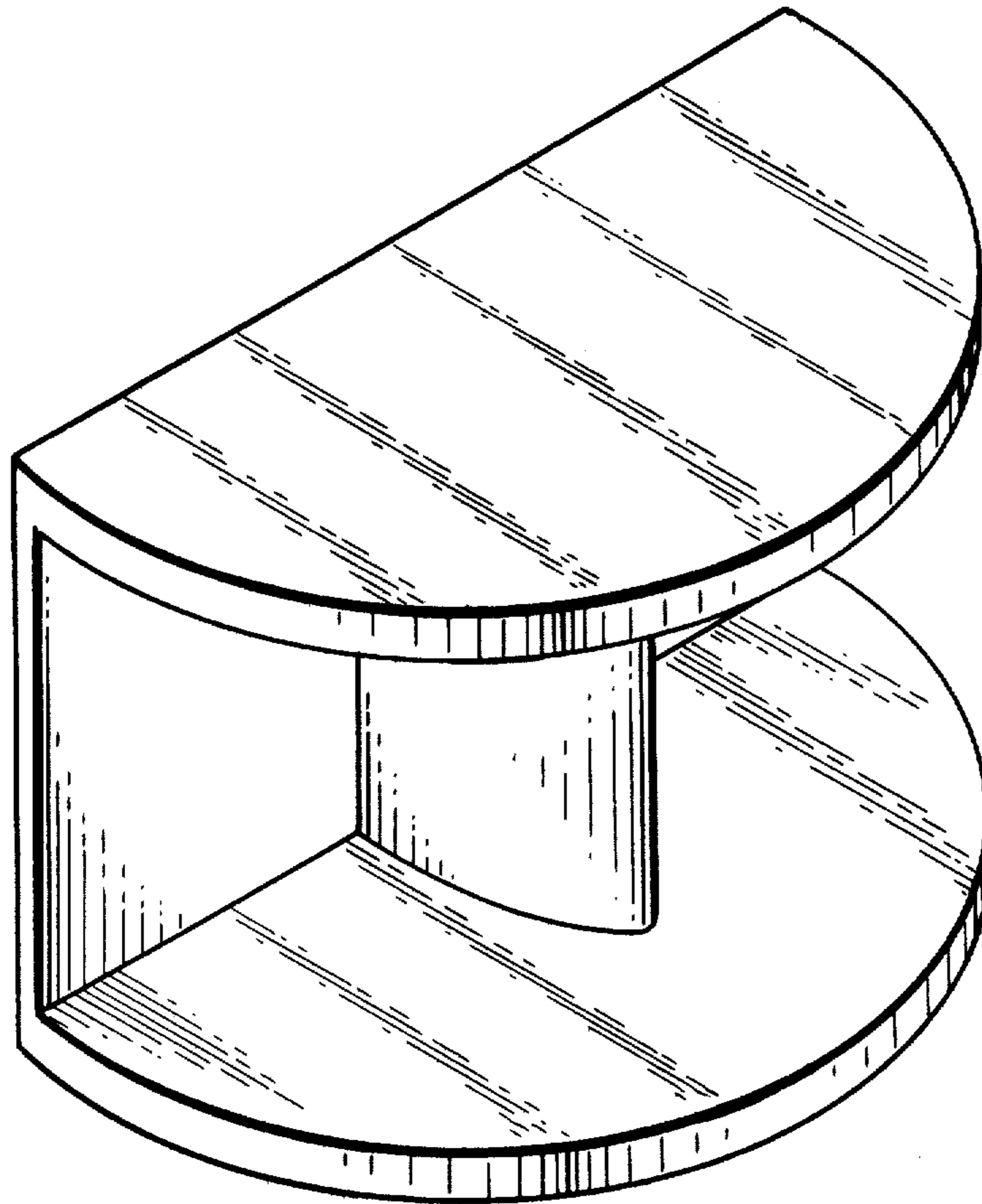


FIG. 1

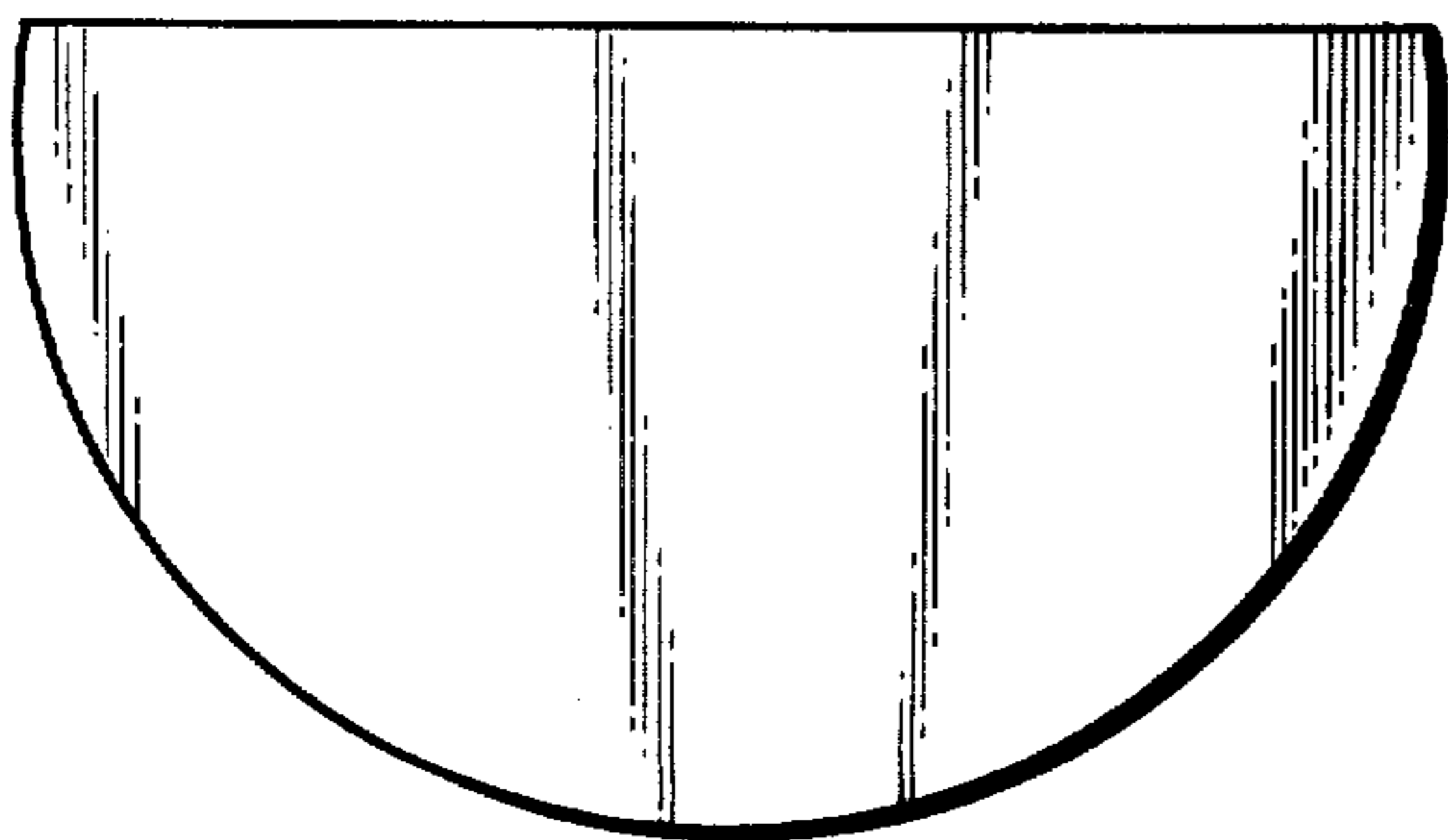
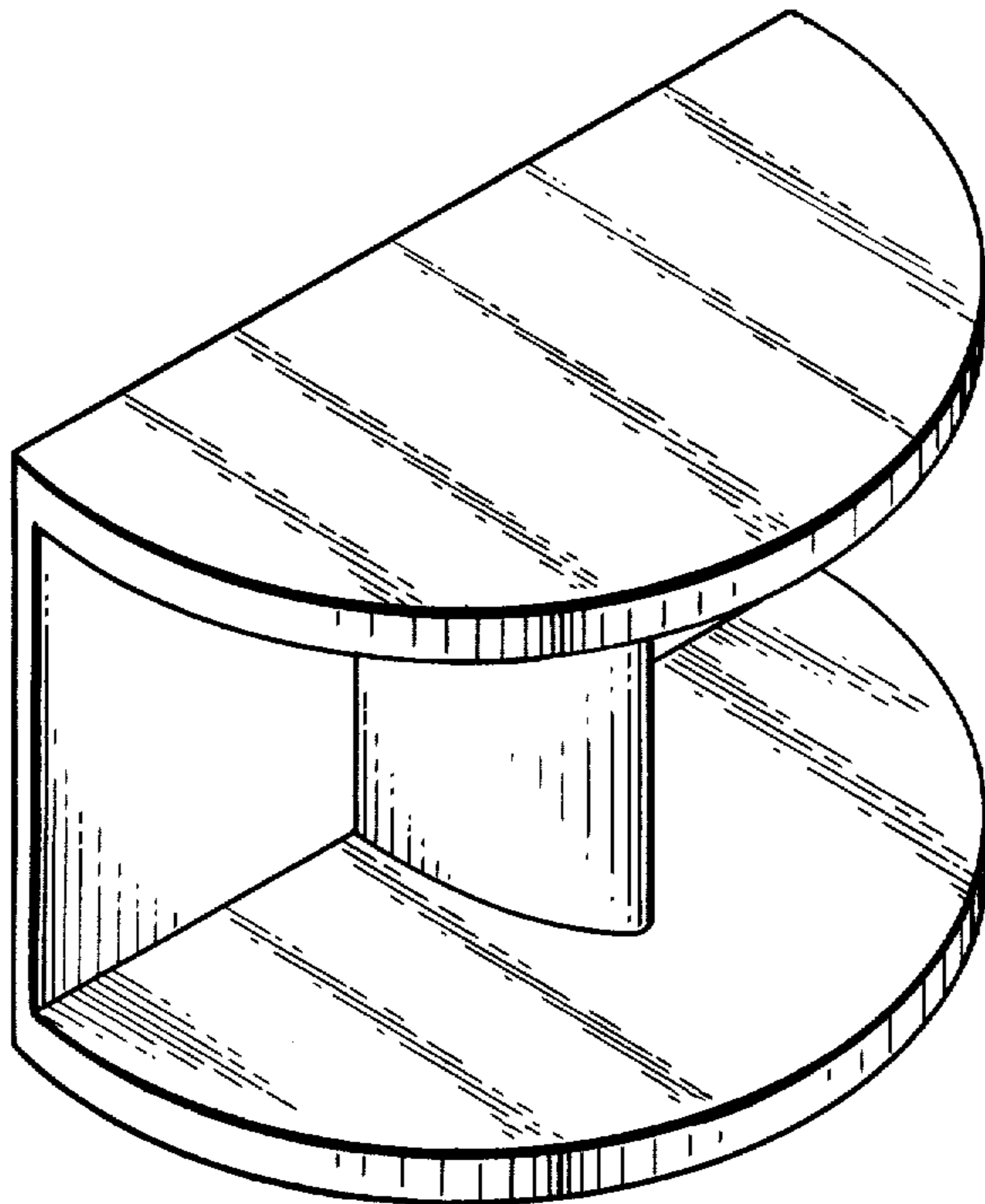


FIG. 2

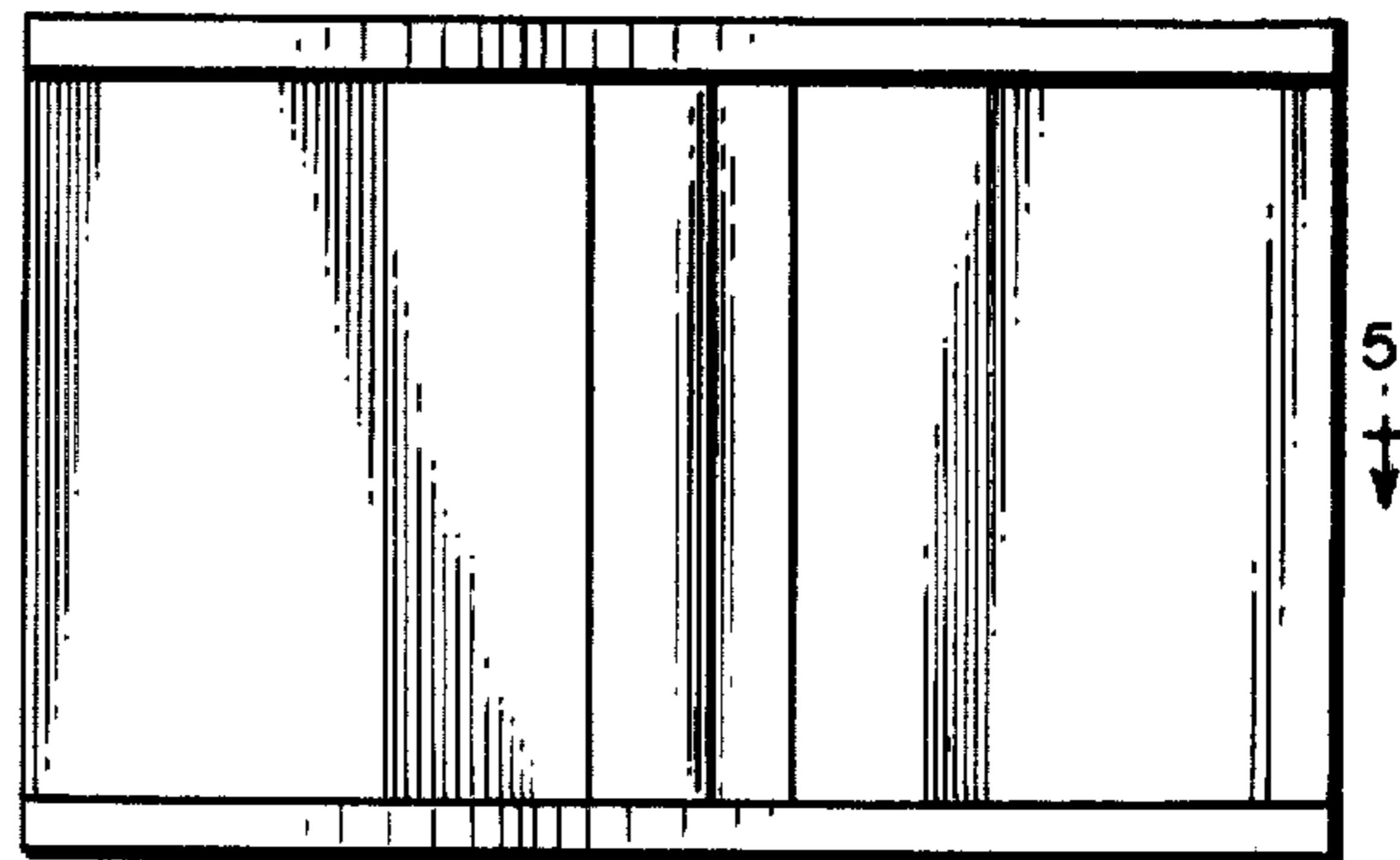


FIG. 3

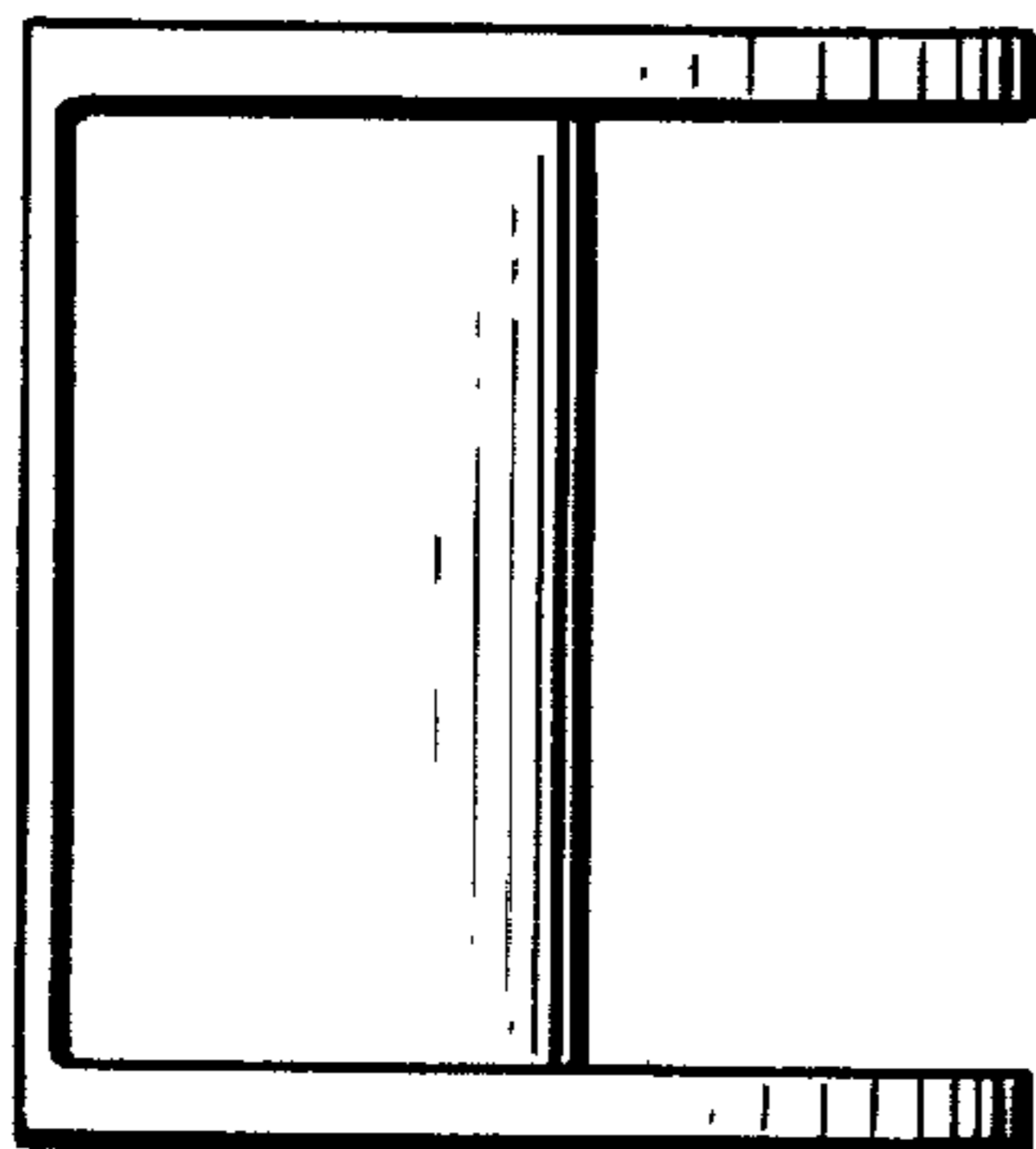


FIG. 4

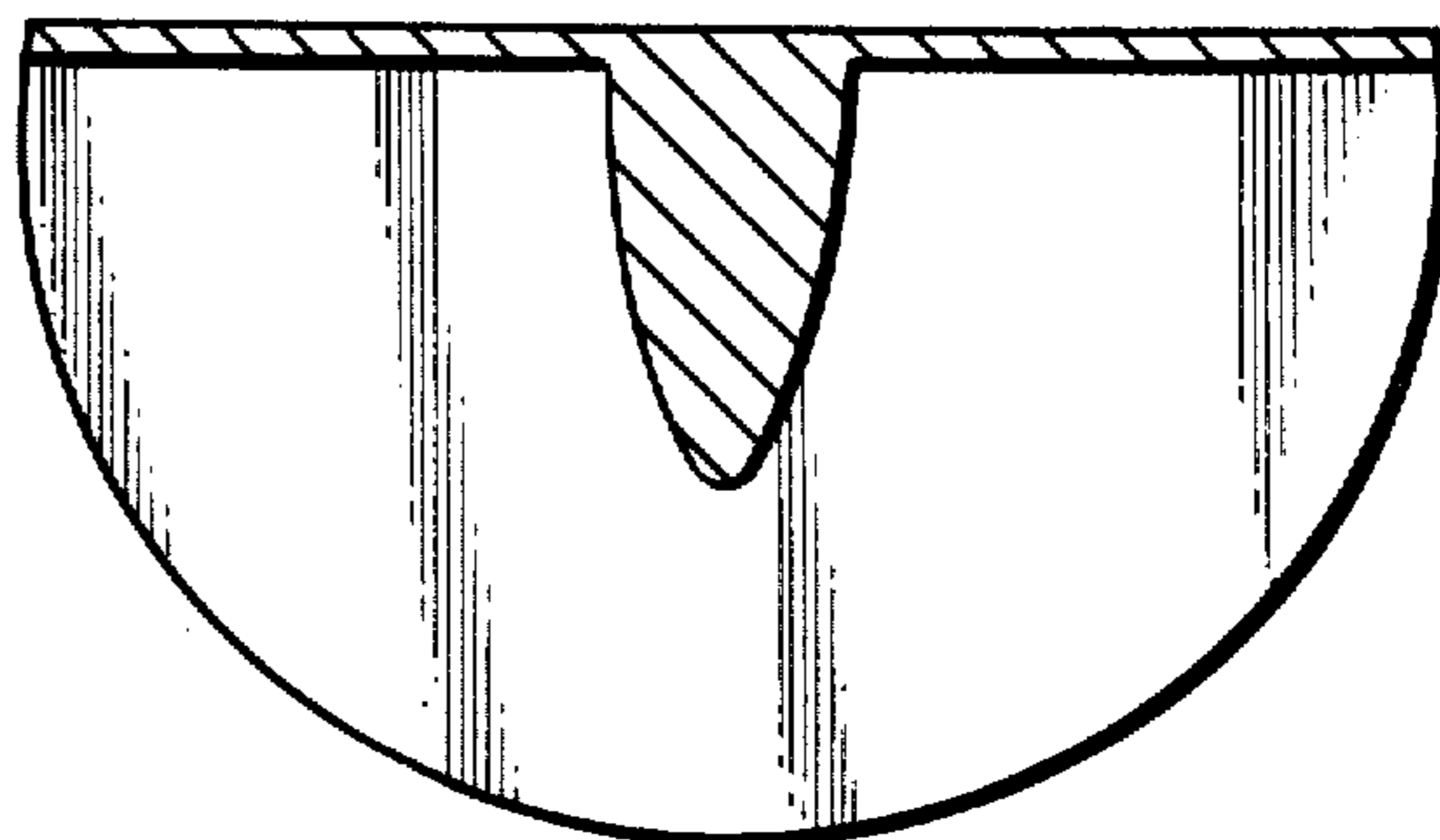


FIG. 5