

- [54] **FOLDAWAY WORKSHOP**
- [75] **Inventors:** Irwin J. Ferdinand, Glencoe; Richard Sylvan, Glenview; Herbert Baisch, Niles, all of Ill.
- [73] **Assignee:** Hirsh Company, Skokie, Ill.
- [**] **Term:** 14 Years
- [21] **Appl. No.:** 119,755
- [22] **Filed:** Feb. 8, 1980
- [51] **Int. Cl.** D6—03
- [52] **U.S. Cl.** D6/178; D6/179; D6/186
- [58] **Field of Search** D6/40, 41, 178, 179, D6/186; 108/115, 130, 134, 135; 312/313-316; 269/901

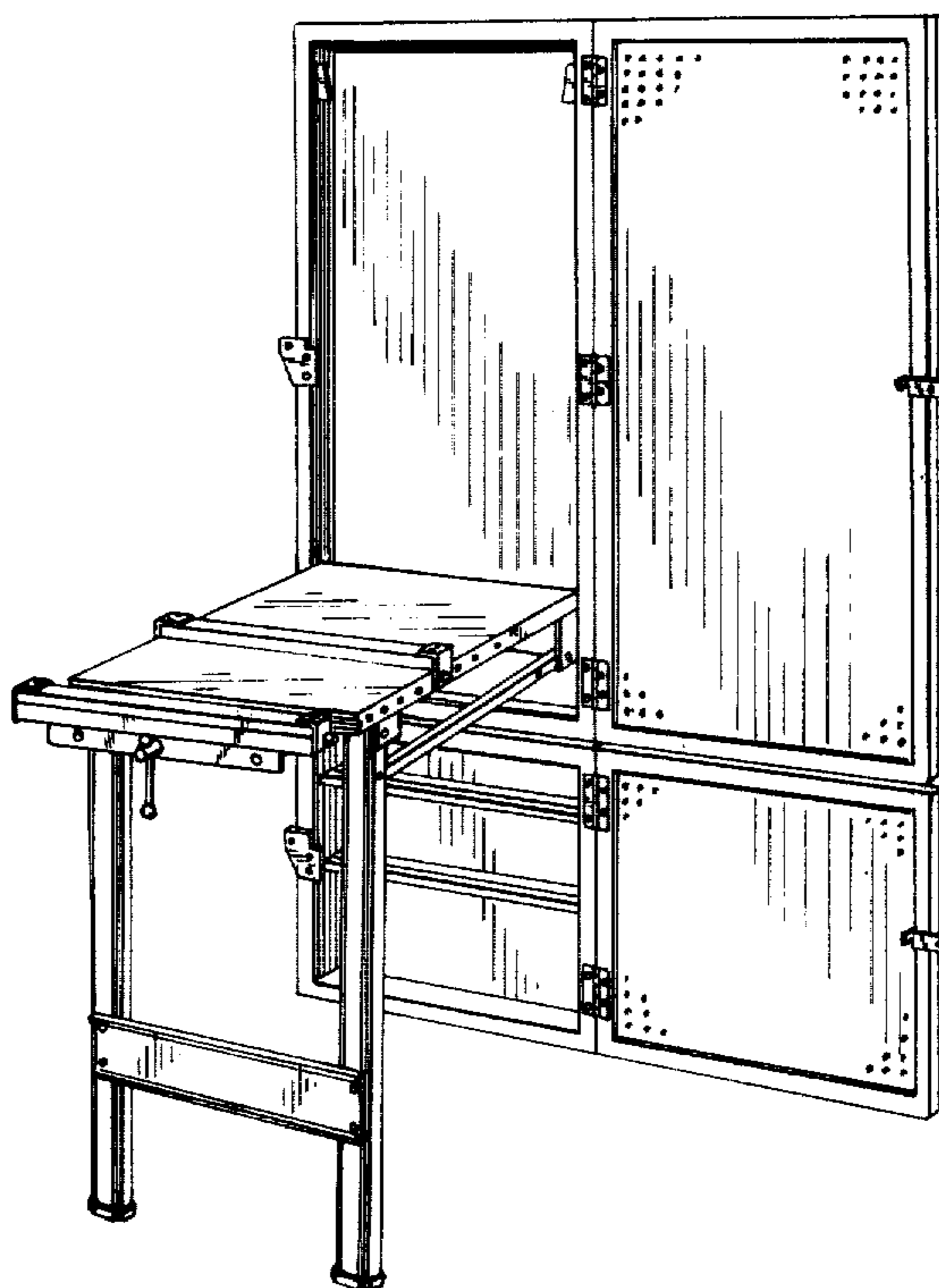
- [56] **References Cited**
U.S. PATENT DOCUMENTS
D. 254,112 2/1980 Handler et al. D6/179
3,748,010 7/1973 Garte 312/314
4,155,609 5/1979 Skafta et al. 312/314 X

Primary Examiner—Leland A. Sebastian
Attorney, Agent, or Firm—Dressler, Goldsmith, Shore, Sutker & Milnamow, Ltd.

[57] **CLAIM**
The ornamental design for a foldaway workshop, substantially as shown and described.

DESCRIPTION

FIG. 1 is a perspective view of a foldaway workshop showing our new design;
FIG. 2 is a right side elevational view thereof;
FIG. 3 is a left side elevational view thereof;
FIG. 4 is a front elevational view thereof; and
FIG. 5 is a top plan view thereof.



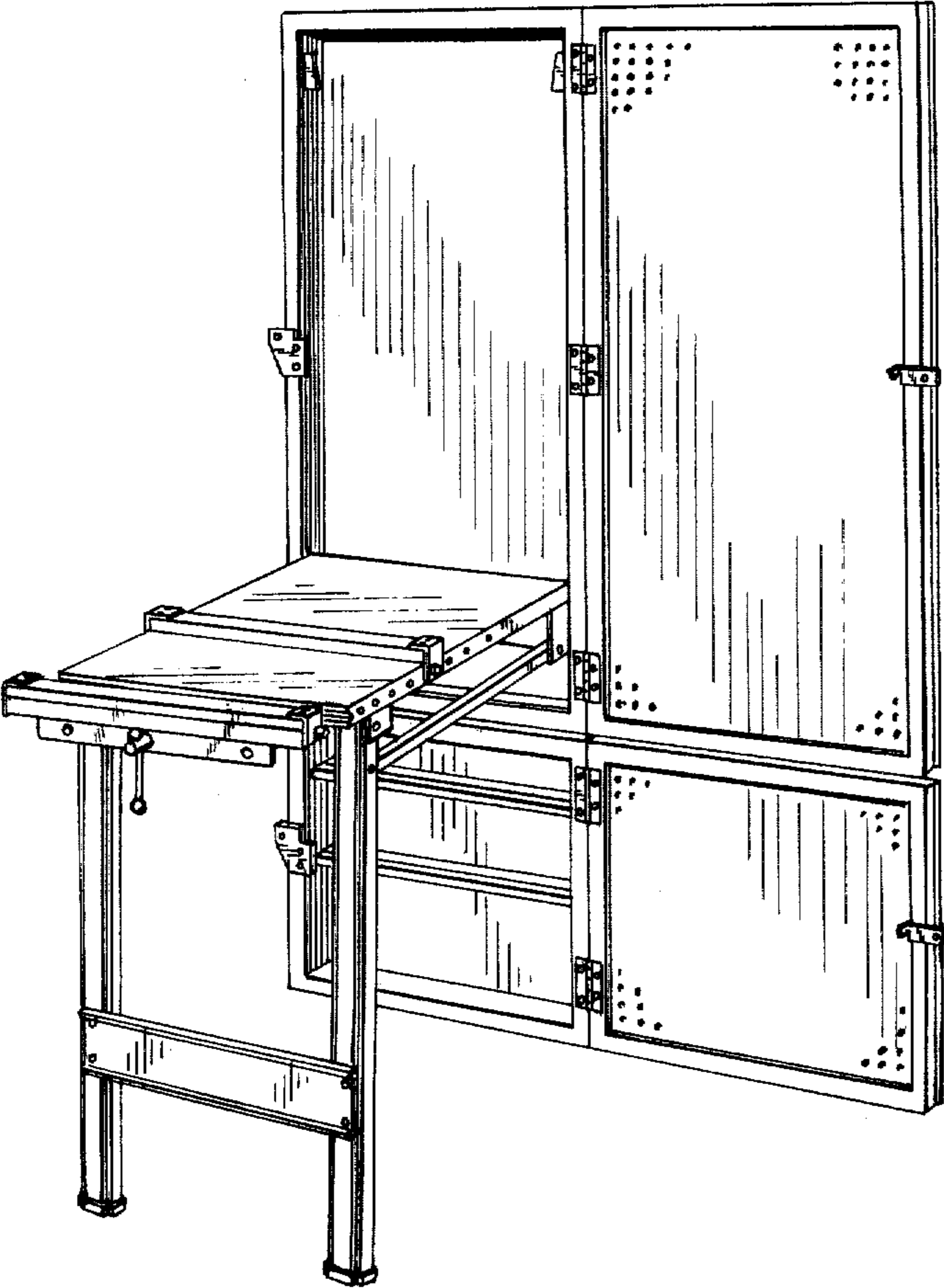


FIG. 1

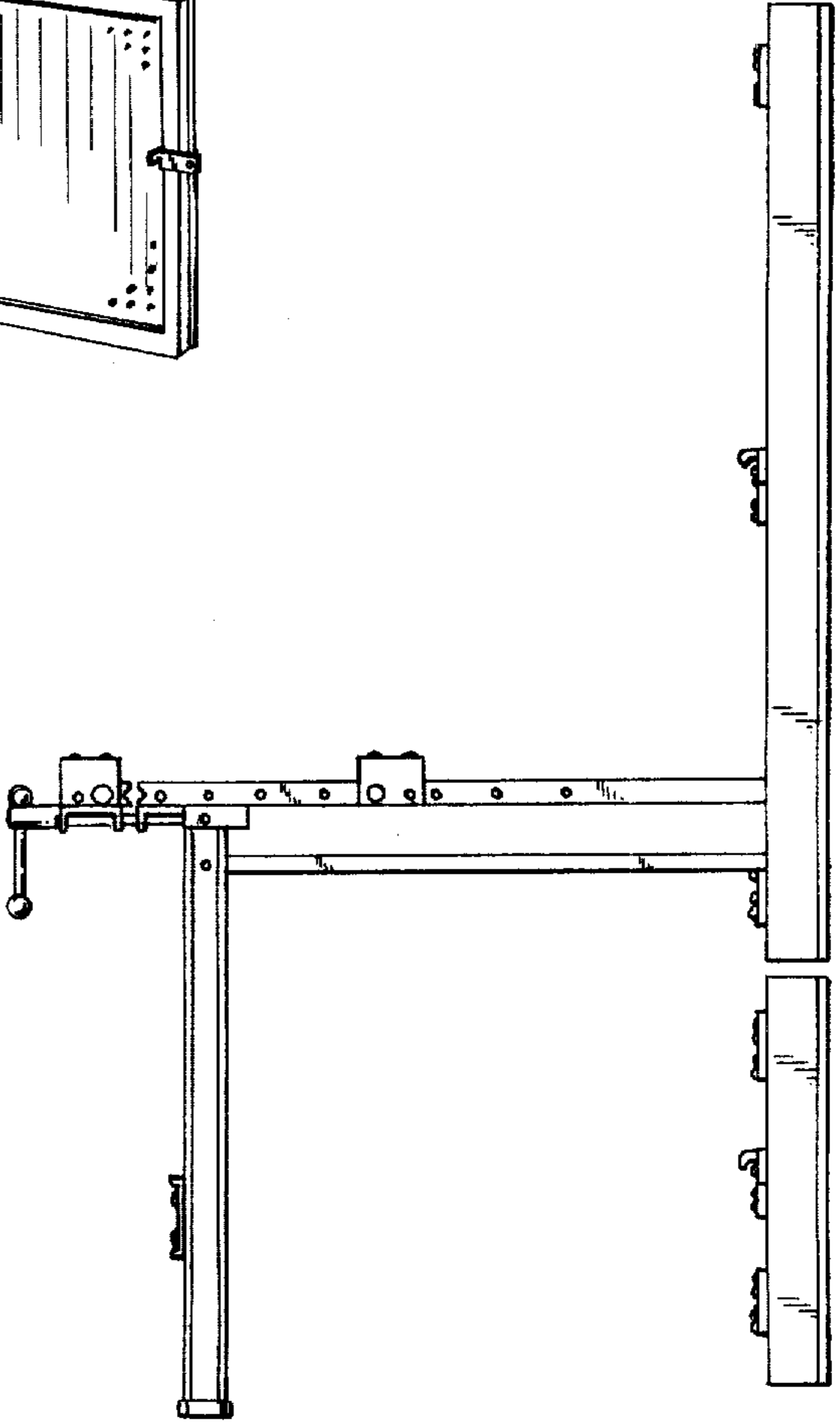


FIG. 2

FIG. 3

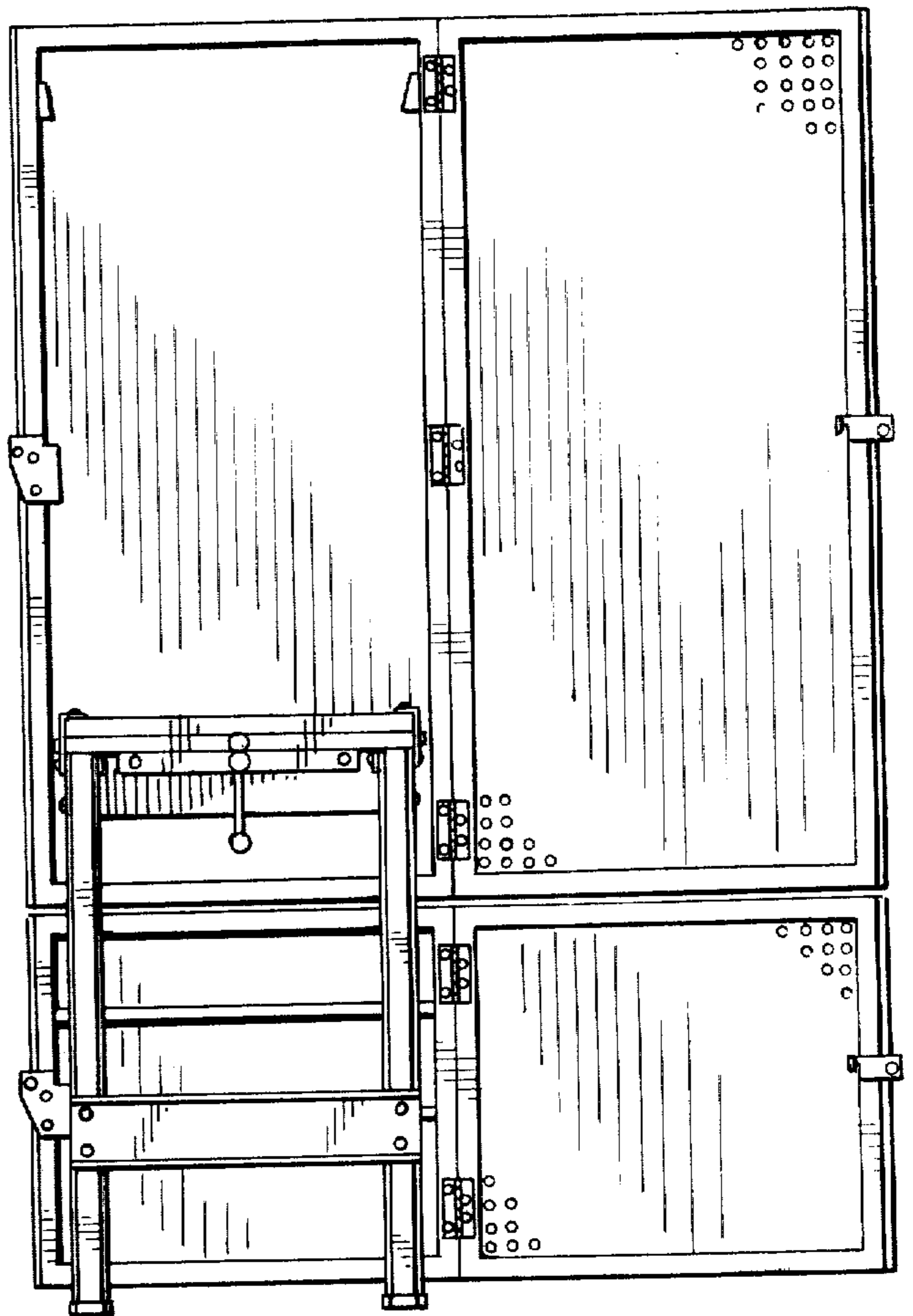
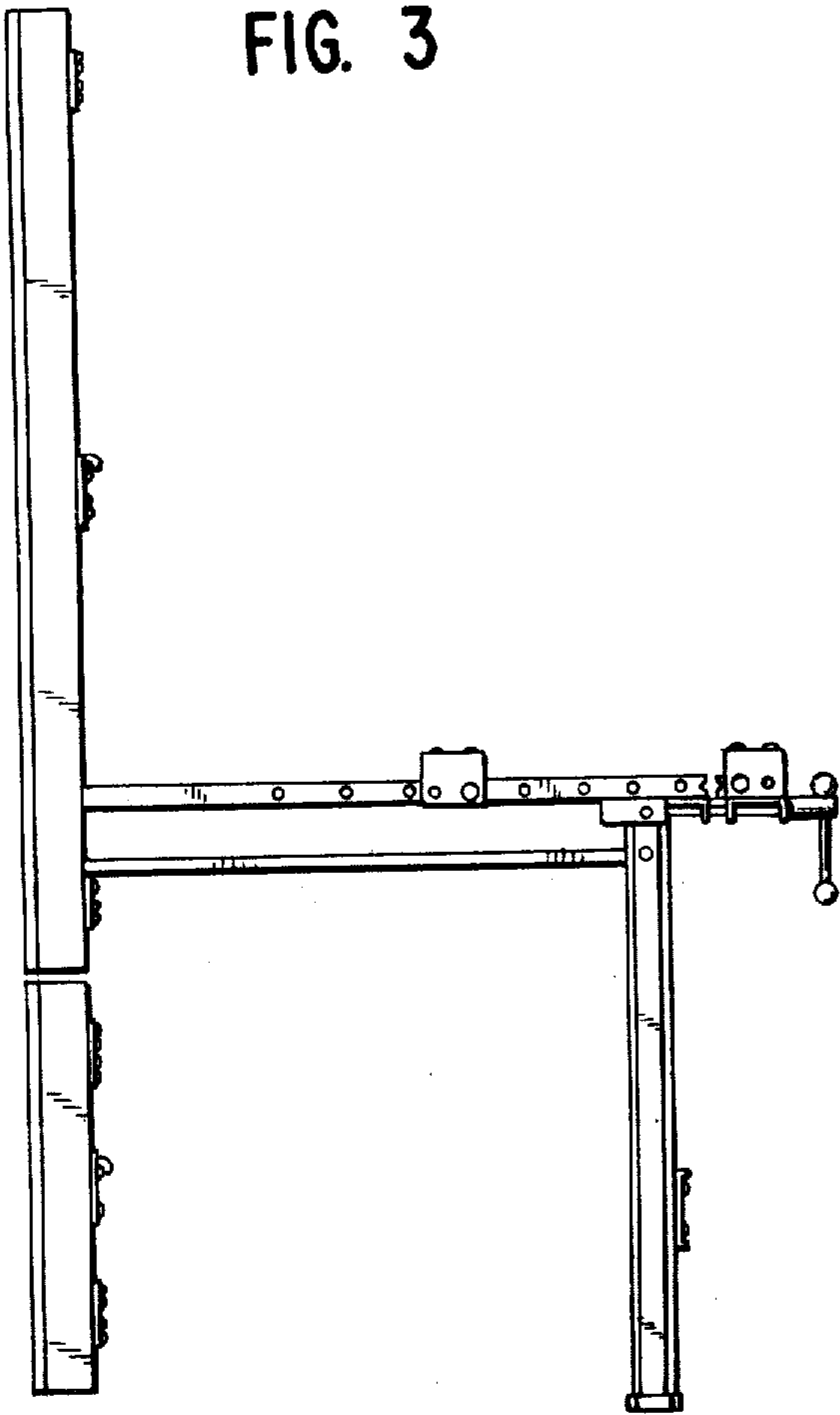


FIG. 4

FIG. 5

