

[54] TABLE

[76] Inventor: **Suzanne M. Hanson**, 1912 Limetree La., Mountain View, Calif. 94040

[\*\*] Term: **14 Years**

[21] Appl. No.: **70,428**

[22] Filed: **Aug. 28, 1979**

[51] Int. Cl. .... **D6-03**

[52] U.S. Cl. .... **D6/177**

[58] Field of Search ..... **D6/27, 145, 146, 175, D6/177, 178, 179**

D. 238,133 12/1975 Vebele ..... D6/175  
 D. 239,672 4/1976 Adkinson ..... D6/177

**OTHER PUBLICATIONS**

House Beautiful, 5-1977, p. 164, table top right.  
*Primary Examiner*—Bruce W. Dunkins

[57] **CLAIM**

The ornamental design for a table, as shown and described.

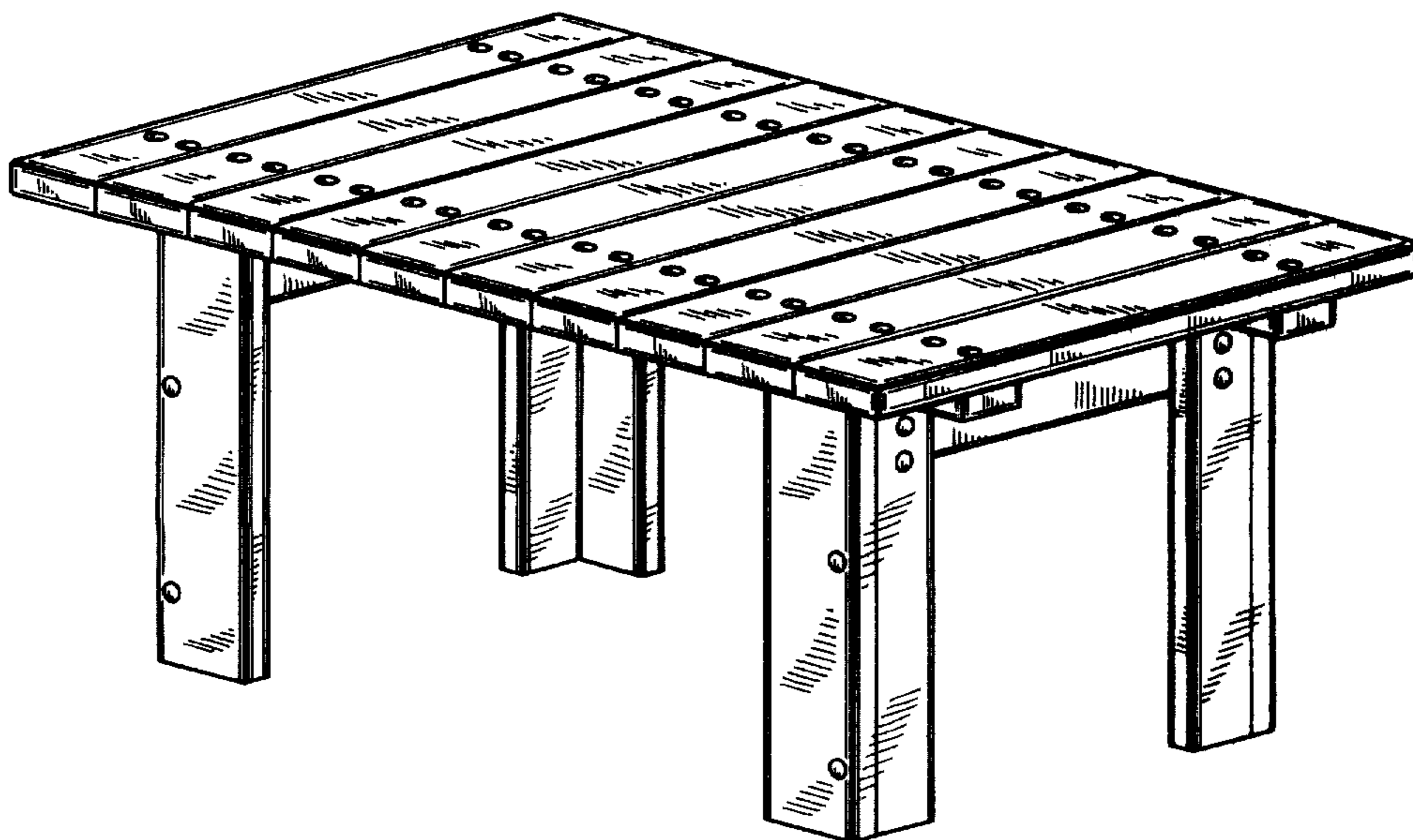
**DESCRIPTION**

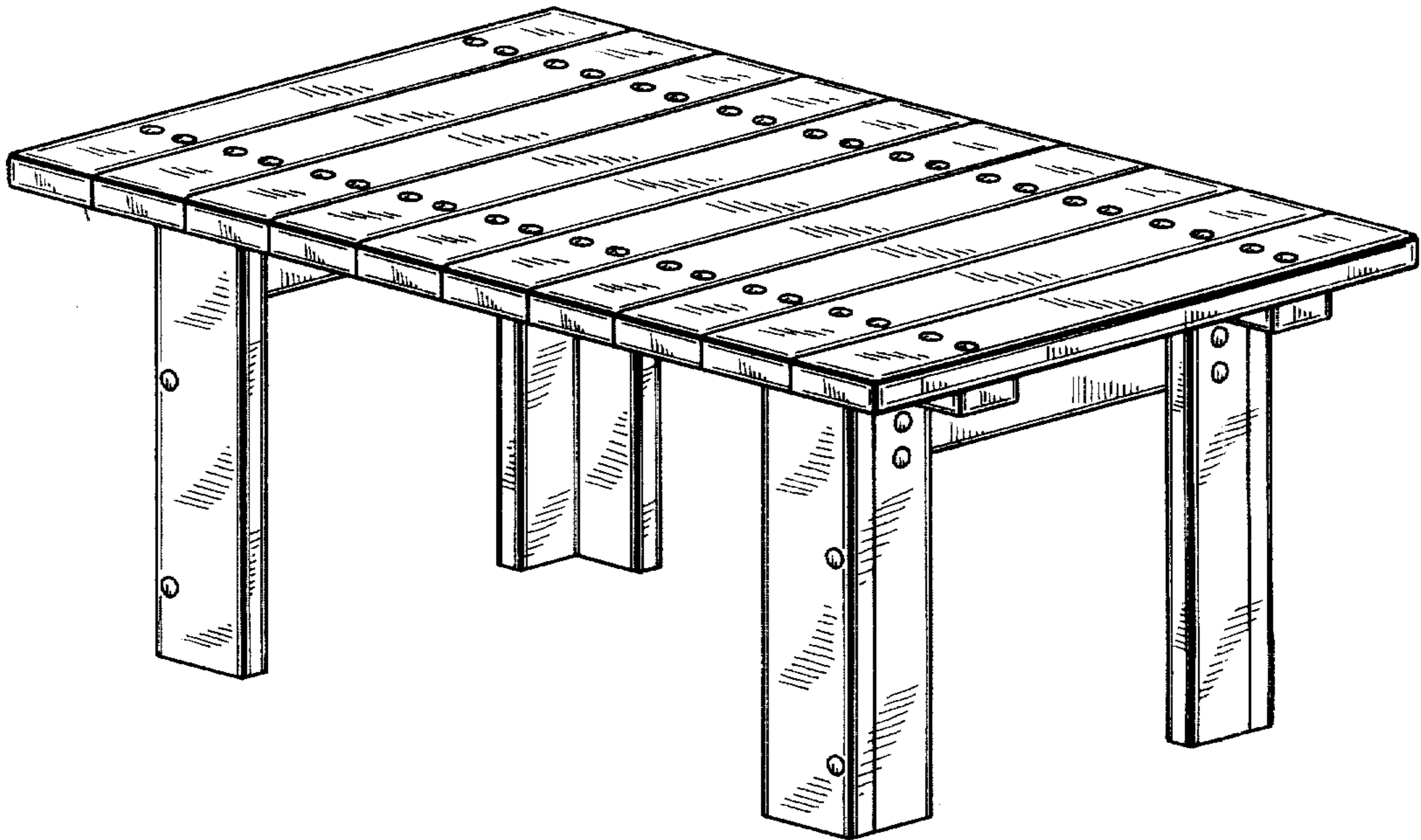
FIG. 1 is a perspective view of a table showing my new design; and  
 FIG. 2 is a top view thereof;  
 FIG. 3 is a side view thereof;  
 FIG. 4 is an end view thereof.  
 The side and end not shown are mirror images of the side and end shown in FIGS. 3 and 4 respectively.

[56] **References Cited**

**U.S. PATENT DOCUMENTS**

D. 228,432 9/1973 Cross, Jr. .... D6/177  
 D. 233,872 12/1974 Jester ..... D6/177

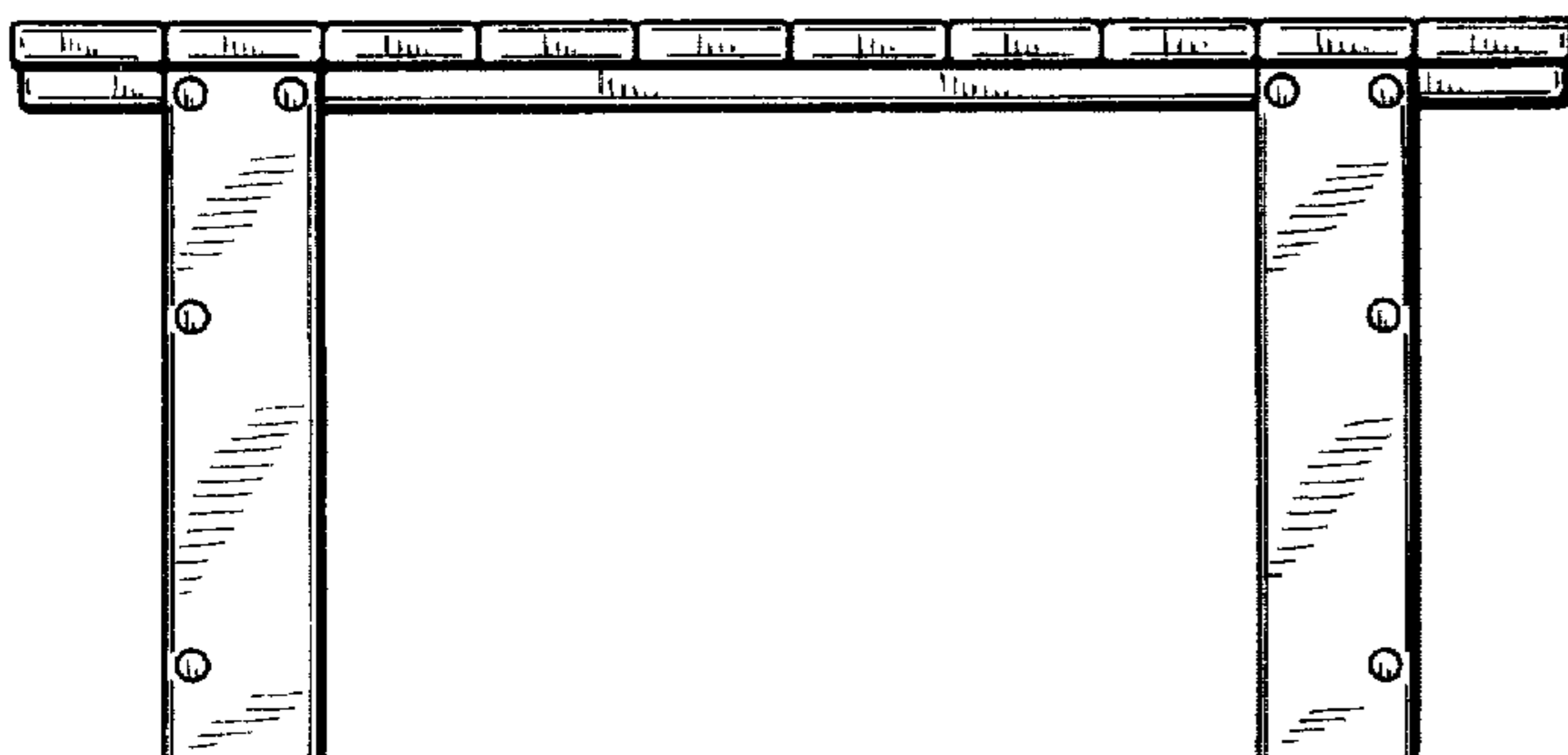




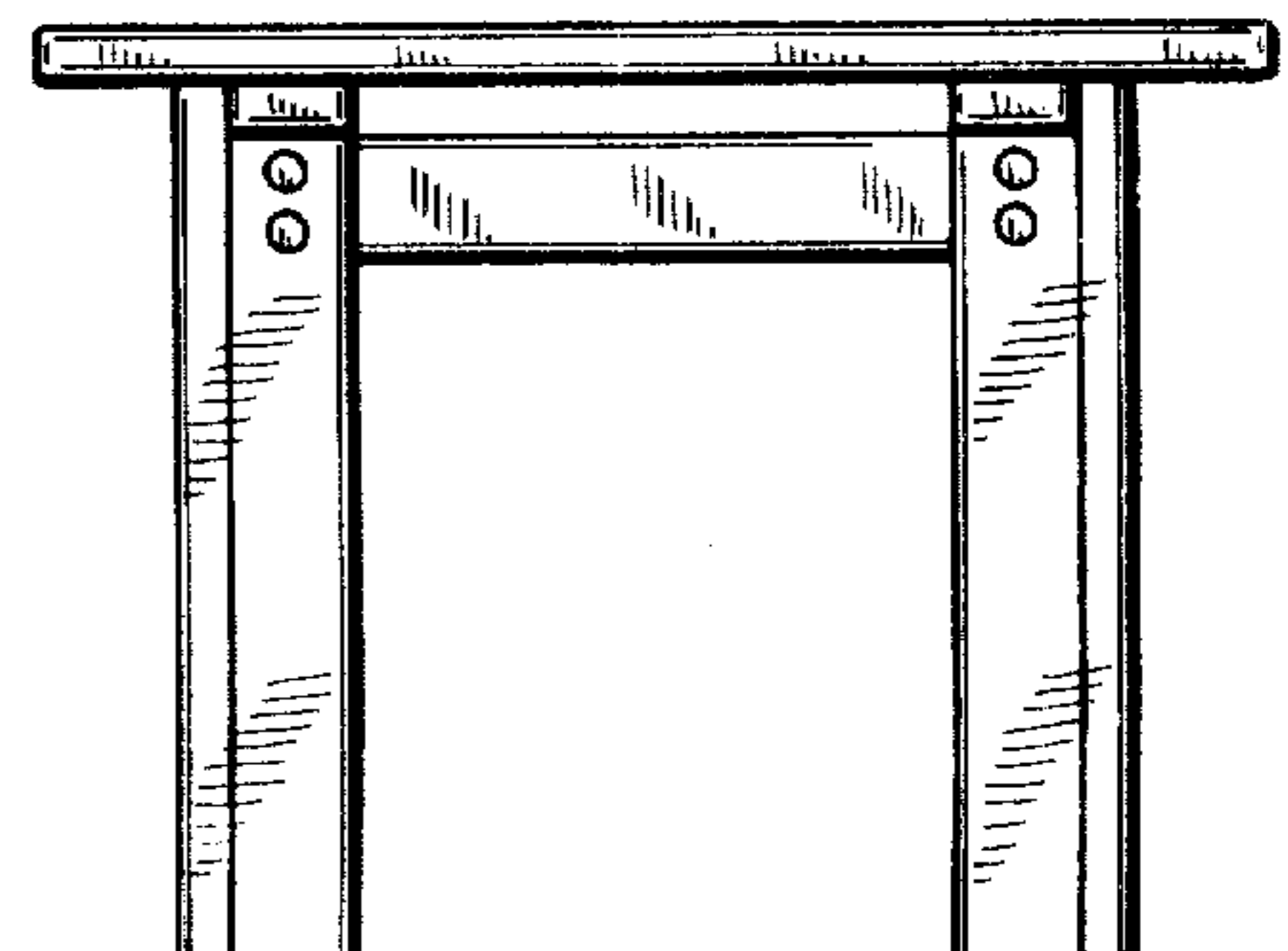
**FIG\_1**



**FIG\_2**



**FIG\_3**



**FIG\_4**