

- [54] RECORD ALBUM STORAGE BARREL
[76] Inventor: Mark W. Magyar, 1711 Poplar St.,
Granite City, Ill. 62040
[**] Term: 14 Years
[21] Appl. No.: 62,681
[22] Filed: Aug. 1, 1979
[51] Int. Cl. D6-04
[52] U.S. Cl. D6/153; D6/184;
D15/114
[58] Field of Search D15/111, 112, 113, 114,
D15/115; D12/22, 27, 25, 29; D6/151-154,
175, 177-179, 181, 184, 186; 206/557

[56] References Cited

U.S. PATENT DOCUMENTS

- D. 123,637 11/1940 Karoff D15/114 X
D. 138,757 9/1944 Standlee D12/29

1,987,423 1/1935 Stewart et al. 206/557 X

OTHER PUBLICATIONS

J. C. Penney, F & W 1976, p. 1116, Magazine Rack, No. 10.
Institutions Magazine, 9-1958, p. 113, Dolly by McClintock.

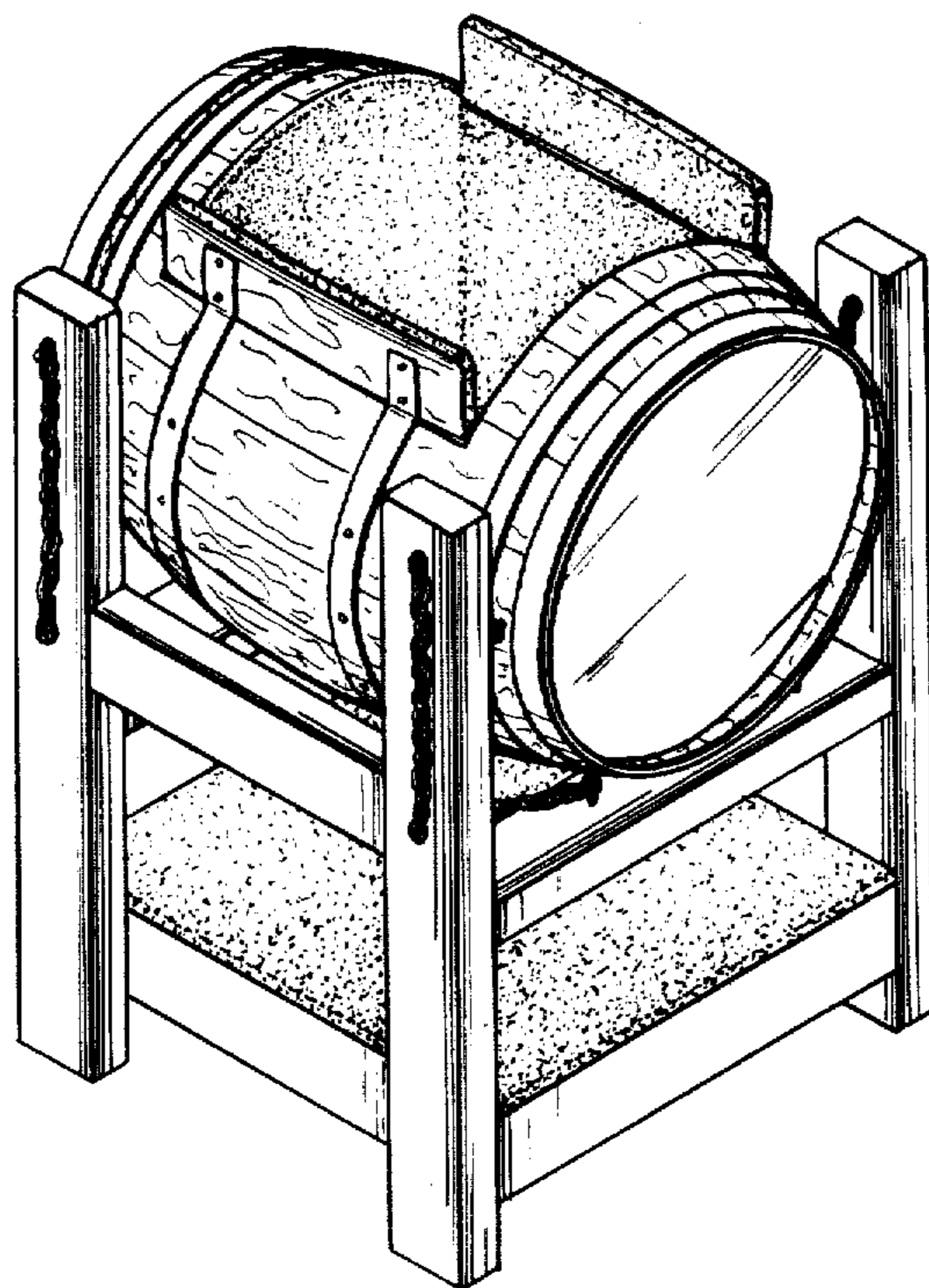
Primary Examiner—Bruce W. Dunkins
Attorney, Agent, or Firm—Jerome A. Gross

[57] CLAIM

The ornamental design for a record album storage barrel, substantially as shown.

DESCRIPTION

FIG. 1 is a perspective view of a record album storage barrel, showing my new design as seen from above and adjacent one corner thereof; and FIG. 2 is a perspective view thereof as seen from below and adjacent the opposite corner thereof.



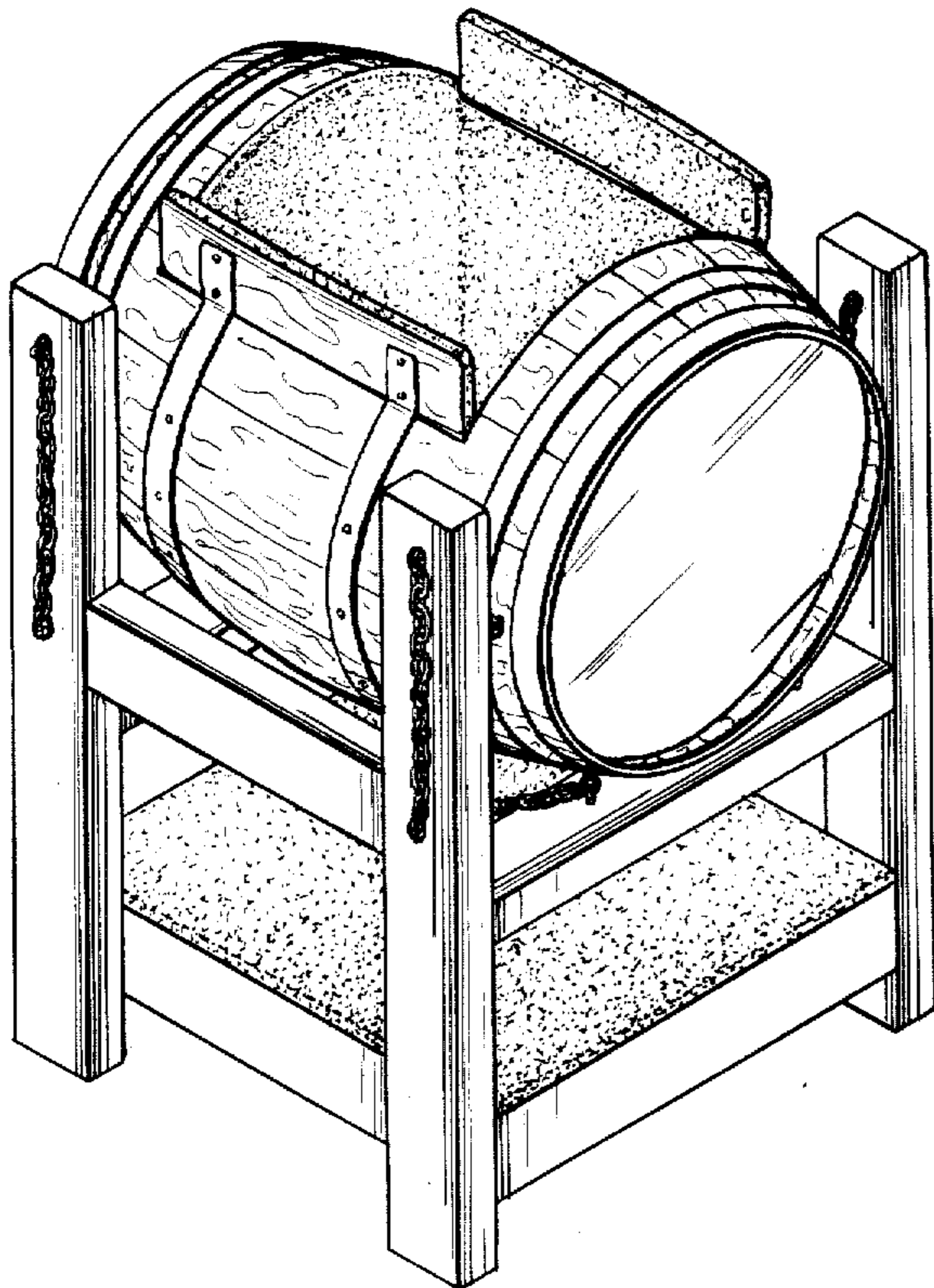


FIG. 1

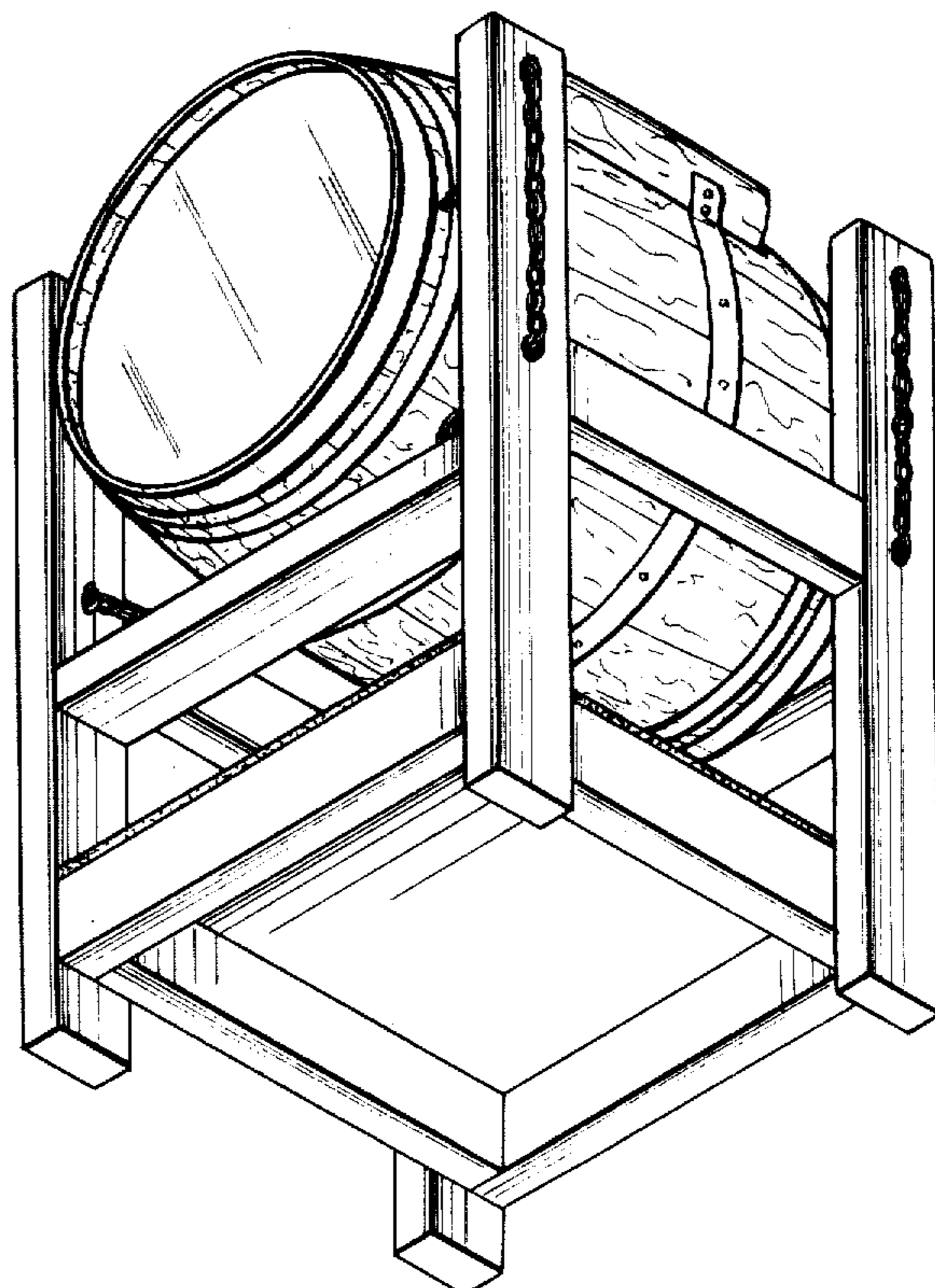


FIG. 2